

TN8420 86-013(6)

PNC ~~8420-86-05(6)~~

内部資料

本資料は 年 月 日付けで登録区分、
変更する。 2001. 6. 20

[技術情報室]

東海沿岸海域における流動調査

Observation of Ocean Current in Tokai Coastal Area

第 6 分 冊 調 和 解 析 結 果

1986 年 4 月

動力炉・核燃料開発事業団
東 海 事 業 所

本資料の全部または一部を複写・複製・転載する場合は、下記にお問い合わせください。

〒319-1184 茨城県那珂郡東海村大字村松4番地49
核燃料サイクル開発機構
技術展開部 技術協力課

Inquiries about copyright and reproduction should be addressed to:
Technical Cooperation Section,
Technology Management Division,
Japan Nuclear Cycle Development Institute
4-49 Muramatsu, Tokai-mura, Naka-gun, Ibaraki, 319-1184
Japan

©核燃料サイクル開発機構 (Japan Nuclear Cycle Development Institute)
2001



東海沿岸海域における流動調査

Observation of Ocean Current in Tokai Coastal Area

第6分冊 調和解析結果

実施責任者 岩井 誠
(環境安全課長)

報告者 黒須 五郎
晴山 央一
浅野 智宏
岡 努

要 旨

海洋における液体廃棄物の希釈・拡散の評価において、重要な因子のひとつに流動調査がある。東海村沿岸海域における流動調査は、再処理施設設置以前から、原研、東海区水産研、事業団等の機関により実施されており、昭和52年からは、事業団が海中放出口付近に自記式流向流速計を設置し、流動調査を行なってきた。

本報告書は、昭和52年以降、事業団が実施してきた流動調査の結果から、東海前面海域における流動特性について検討したものである。報告書の全体構成は、以下の分冊からなっている。

- 第1分冊 調査結果の概要
- 第2分冊 流向頻度及び流速階級頻度
- 第3分冊 流向別平均流速
- 第4分冊 流向・流速ベクトル
- 第5分冊 パワースペクトル解析結果
- 第6分冊 調和解析結果
- 第7分冊 プログレッシブ・ダイアグラム

本報告書はこのうちの第6分冊として、分潮流の成分をみるために主要4分潮について調和解析を行なった結果をまとめたものである。本資料に係る流動調査方法、データ解析方法等については、第1分冊を参照されたい。

本調査は、放出源近傍（ニア・フィールド）の拡散評価において、基本的かつ重要なデータを提供するものであり、今後とも継続してデータの蓄積を図る予定である。

目 次

はじめに	-----	1
1. 海面下3m層の潮流の調和解析結果	-----	3
2. 海面下10m層の潮流の調和解析結果	-----	45
3. 海面下16m層の潮流の調和解析結果	-----	67

はじめに

東海再処理施設の運転に伴い、低レベル液体廃棄物が距岸 1.8 km に設置されている海中放出管から放出される。東海事業所では、定常的な海洋環境モニタリングとして、海水、海底土、海産生物等の定期的な採取と測定を行ない、再処理施設に起因する環境への影響の監視を行なっている。

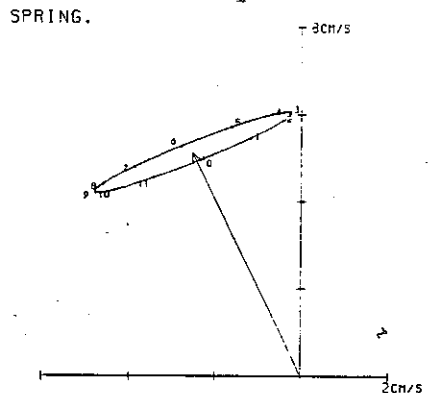
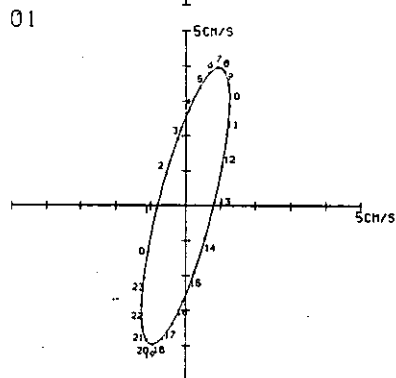
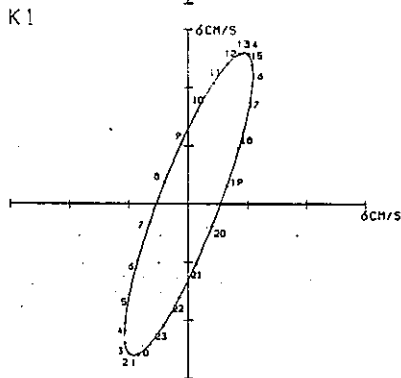
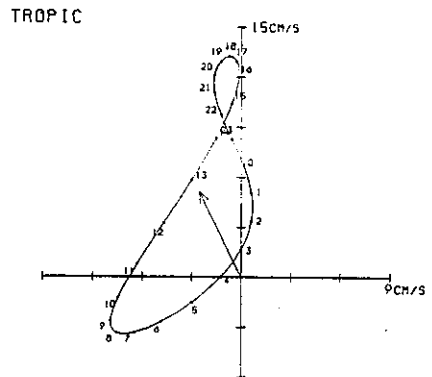
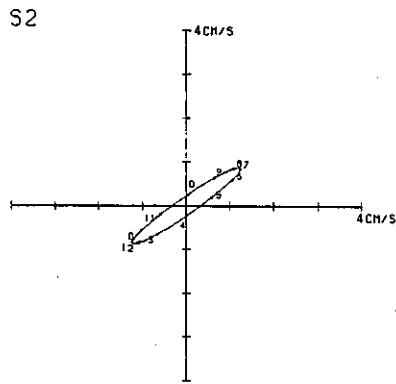
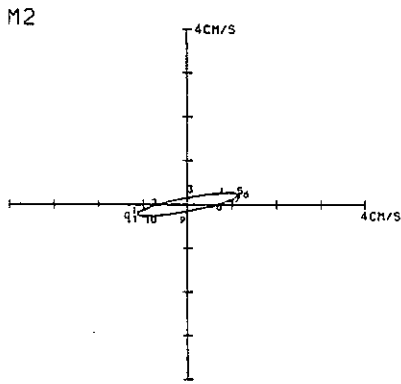
一方、海洋における液体廃棄物の希釈・拡散の評価において、重要な因子のひとつに流動がある。東海村沿岸海域における流動調査は、再処理施設の設置以前から、原研、東海区水産研、事業団等の機関により実施されてきた。昭和52年からは、事業団が海中放出口付近の海面下3m層に自記式流向流速計を設置し、流動調査を行なっており、また、55年9月からは海面下10m層に測定点を追加し、57年7月からは海面下16m層にも測定点を追加し、現在では、1定点3層において多重層の流動調査を行なっている。

これらの調査に基づく流向・流速分布は、海洋拡散評価においては、基本的かつ重要なデータであり、また、海洋中に存在する種々の時間的・空間的スケールをもった多数の変動現象について検討することも東海沿岸海域の特性を把握するといった観点から重要なことである。これら変動現象の解析にあたって、一般的には、スケールが異なればそれを支配する力学的要因も異なってくることから、事象をそれぞれスケール別に分解し、分類することが必要となる。

本報告書は、これまでの流動調査の結果から、流向・流速の分布状況、パワー・スペクトル解析、潮流の調和解析、プログレッシブ・ダイアグラム等の解析により、海中放出口付近の流動特性を検討を行なった報告書の第6分冊として、分潮流の成分をみるために主要4分潮について調和解析を行なった結果をまとめたものである。

本調査は、放出源近傍（ニア・フィールド）の拡散評価において、基本的かつ重要なデータを提供するものであり、今後とも継続してデータの蓄積を図る予定である。

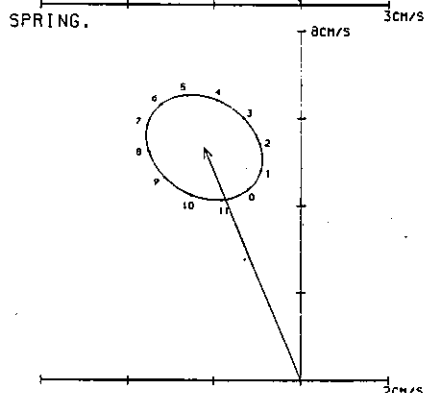
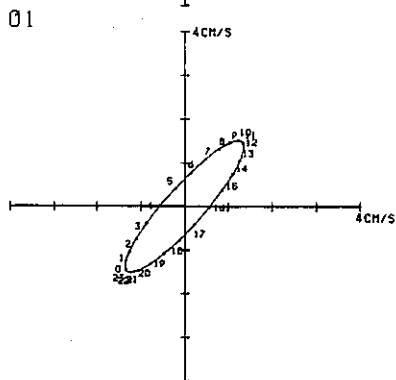
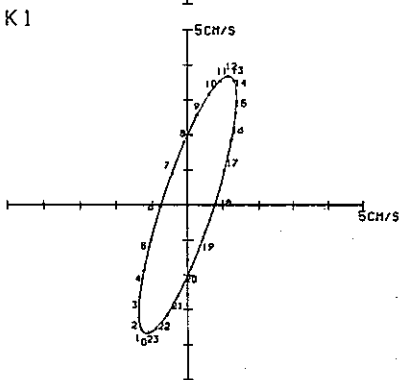
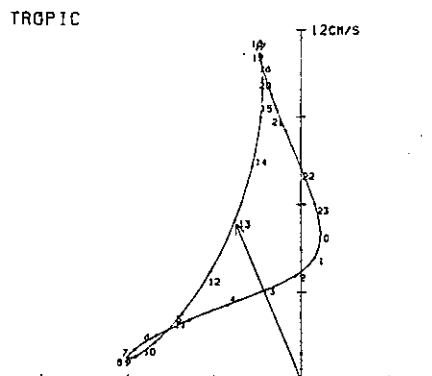
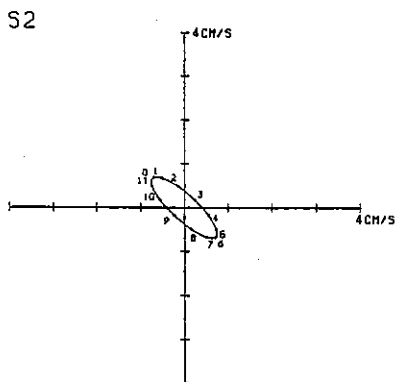
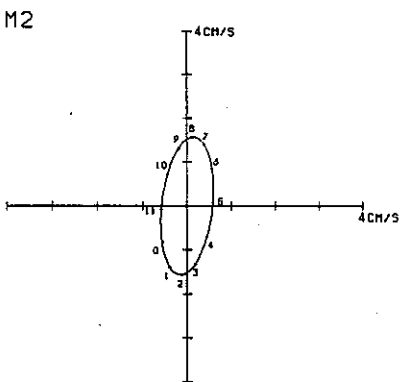
1、海面下 3 m 層の潮流の調和解析結果



0-HOUR CORRESPOND TO CULMINATION HOUR OF IMAGINARY HEAVENLY BODY AT OBSERVATION STATION

0-HOUR OF HODOGRAPH CORRESPOND TO CULMINATION HOUR OF THE MOON AT HITACHI

DATE : 1978 / 1 / 9

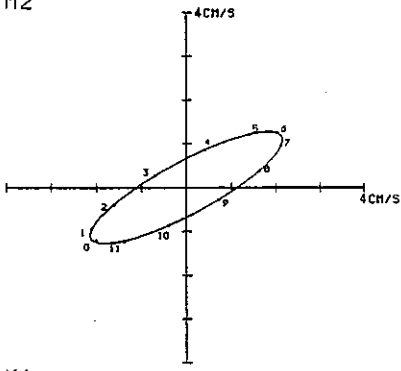


0-HOUR CORRESPOND TO CULMINATION HOUR OF IMAGINARY HEAVENLY BODY AT OBSERVATION STATION

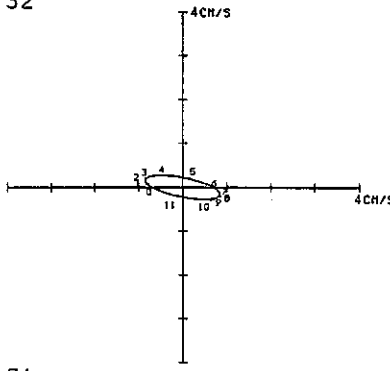
0-HOUR OF HODOGRAPH CORRESPOND TO CULMINATION HOUR OF THE MOON AT HITACHI

DATE : 1978 / 1 / 24

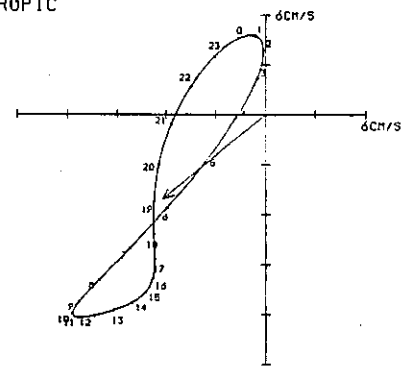
M2



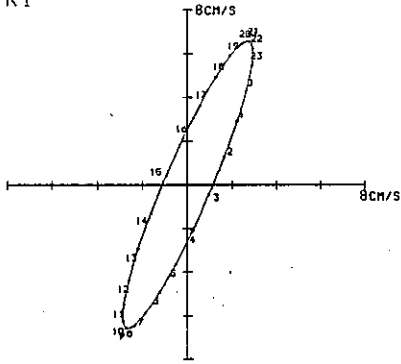
S2



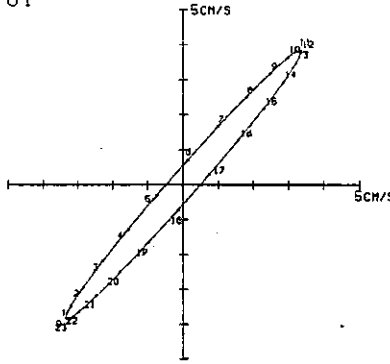
TROPIC



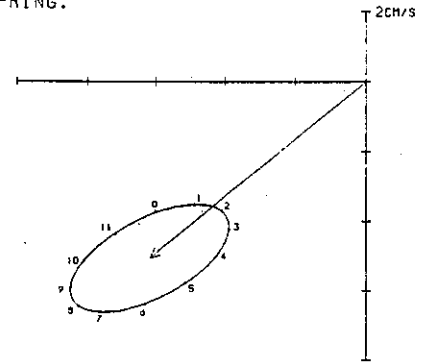
K1



O1



SPRING.

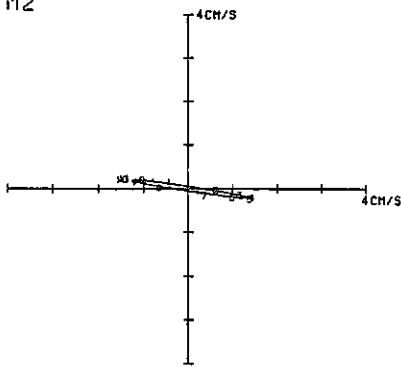


0-HOUR CORRESPOND TO CULMINATION HOUR OF IMAGINARY HEAVENLY BODY AT OBSERVATION STATION

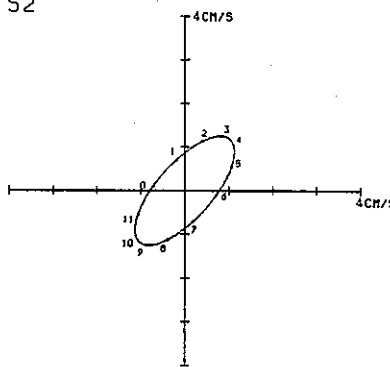
0-HOUR OF HODGRAPH CORRESPOND TO CULMINATION HOUR OF THE MOON AT HITACHI

DATE : 1978 / 2 / 20

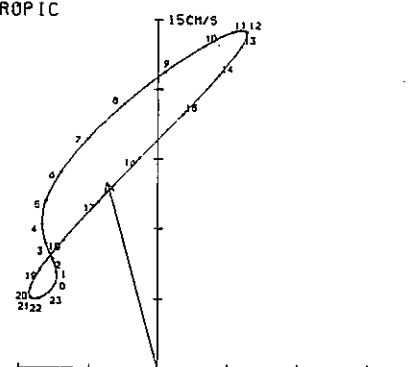
M2



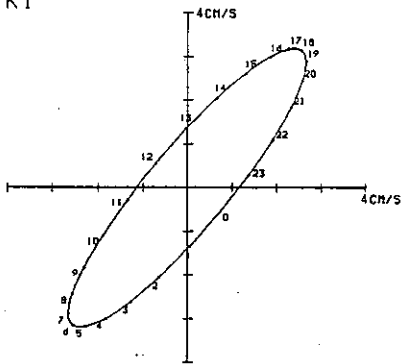
S2



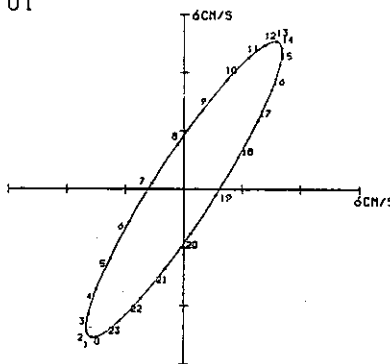
TROPIC



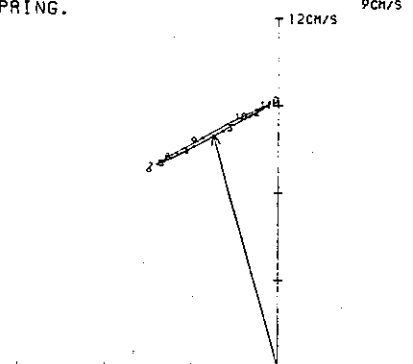
K1



O1



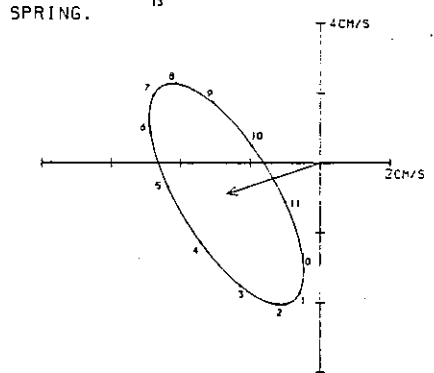
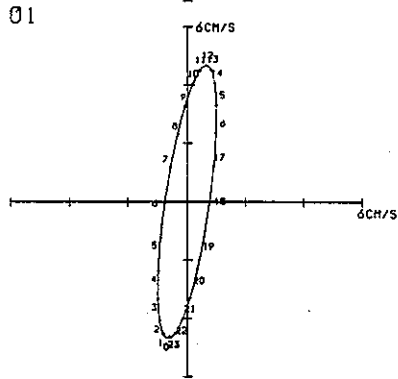
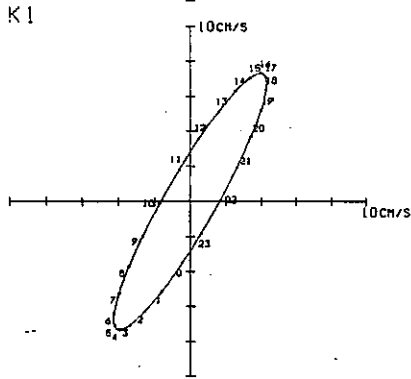
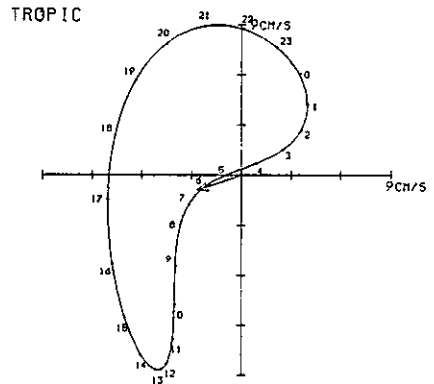
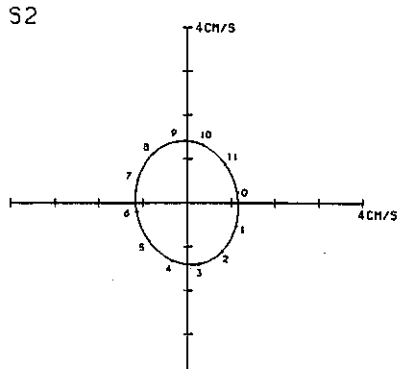
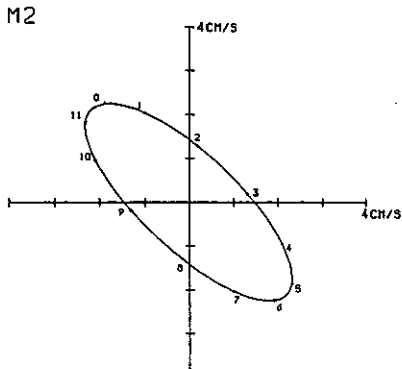
SPRING.



0-HOUR CORRESPOND TO CULMINATION HOUR OF IMAGINARY HEAVENLY BODY AT OBSERVATION STATION

0-HOUR OF HODGRAPH CORRESPOND TO CULMINATION HOUR OF THE MOON AT HITACHI

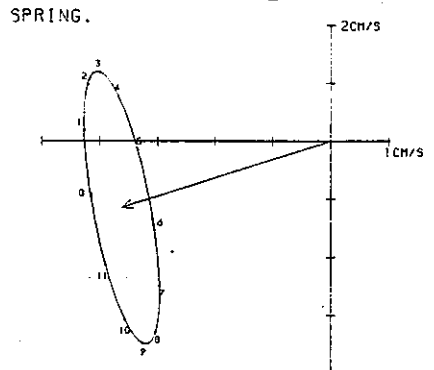
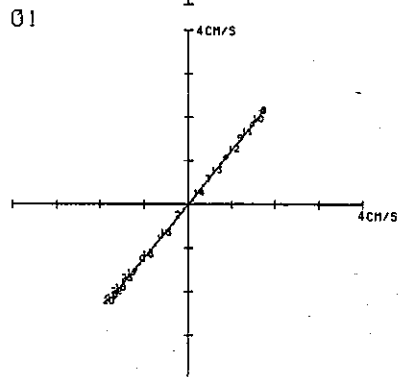
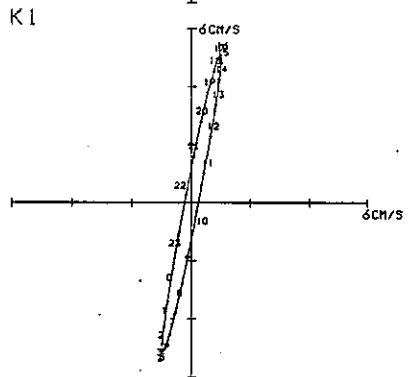
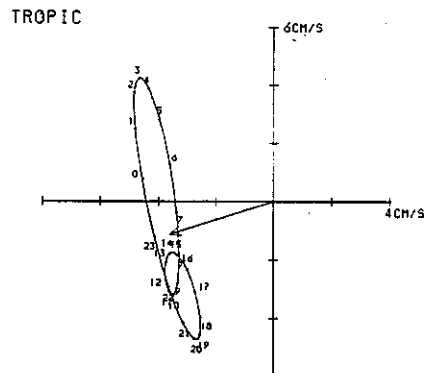
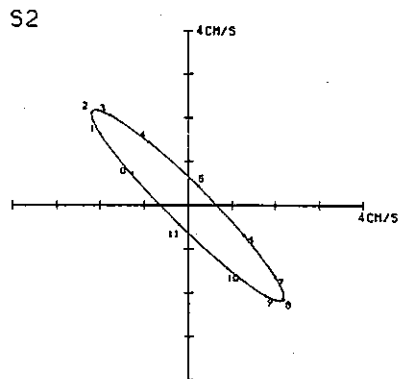
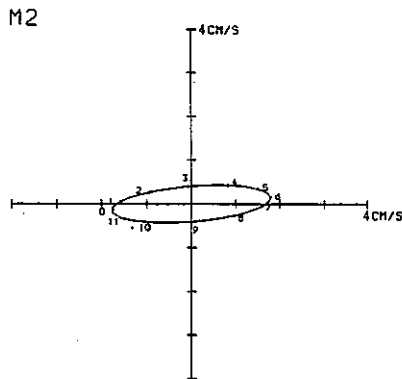
DATE : 1978 / 4 / 20



0-HOUR CORRESPOND TO CULMINATION HOUR OF IMAGINARY HEAVENLY BODY AT OBSERVATION STATION

0-HOUR OF HODOGRAPH CORRESPOND TO CULMINATION HOUR OF THE MOON AT HITACHI

DATE : 1978 / 6 / 20

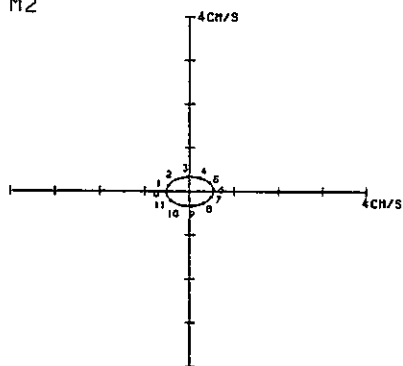


0-HOUR CORRESPOND TO CULMINATION HOUR OF IMAGINARY HEAVENLY BODY AT OBSERVATION STATION

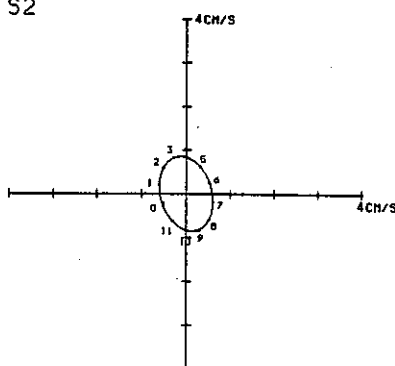
0-HOUR OF HODOGRAPH CORRESPOND TO CULMINATION HOUR OF THE MOON AT HITACHI

DATE : 1978 / 7 / 15

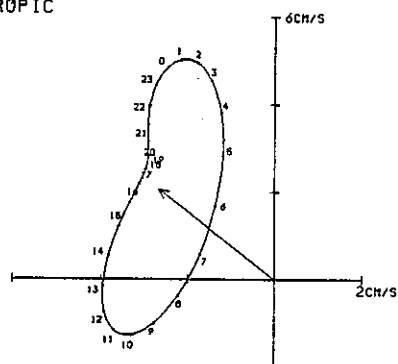
M2



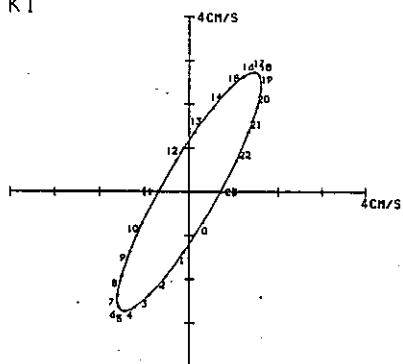
S2



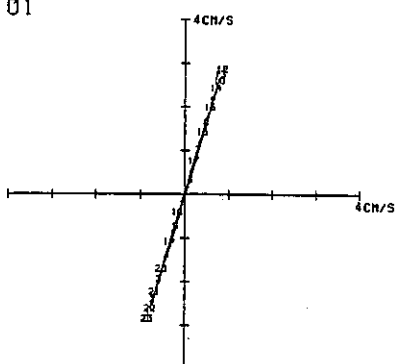
TROPIC



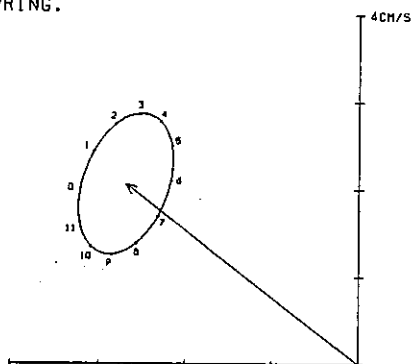
K1



01



SPRING.

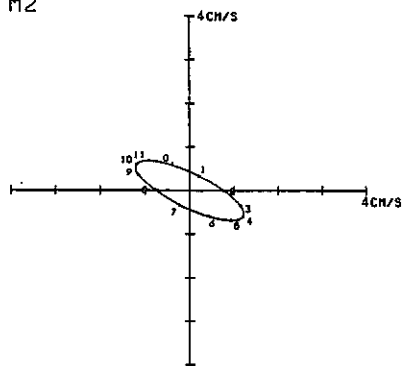


0-HOUR CORRESPOND TO CULMINATION HOUR OF IMAGINARY HEAVENLY BODY AT OBSERVATION STATION

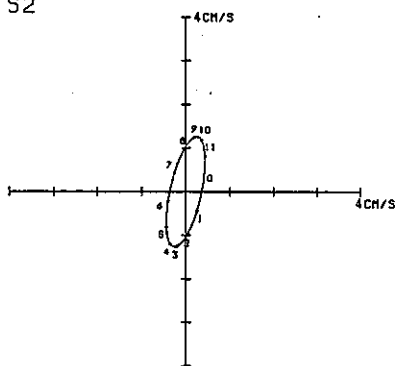
0-HOUR OF HODGRAPH CORRESPOND TO CULMINATION HOUR OF THE MOON AT HITACHI

DATE : 1979 / 1 / 24

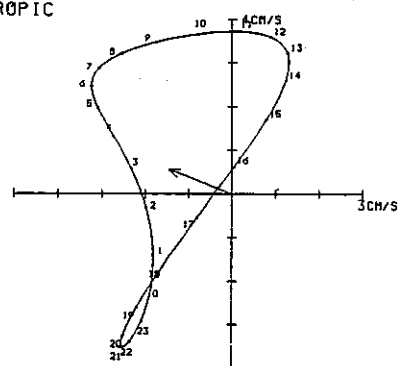
M2



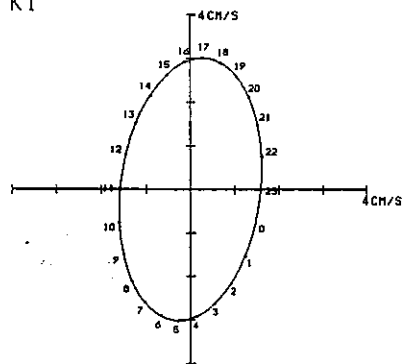
S2



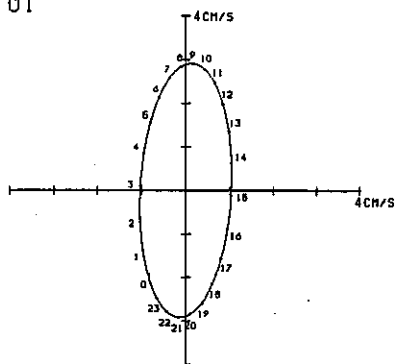
TROPIC



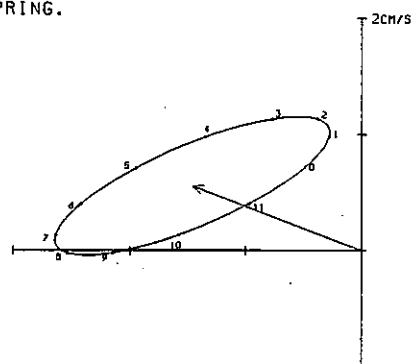
K1



01



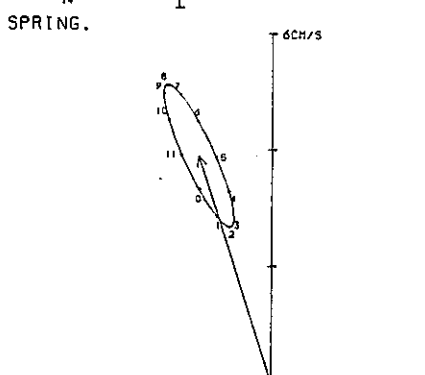
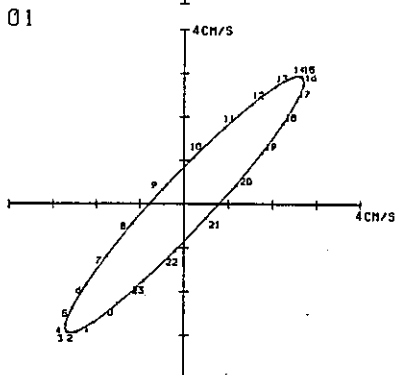
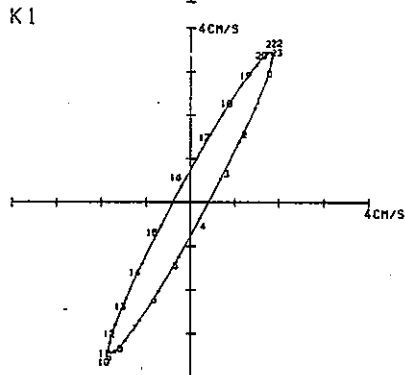
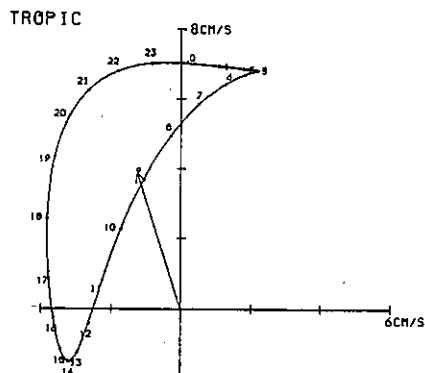
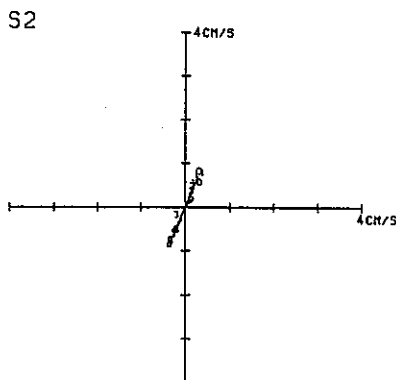
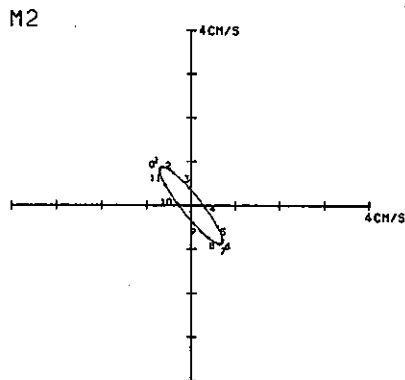
SPRING.



0-HOUR CORRESPOND TO CULMINATION HOUR OF IMAGINARY HEAVENLY BODY AT OBSERVATION STATION

0-HOUR OF HODGRAPH CORRESPOND TO CULMINATION HOUR OF THE MOON AT HITACHI

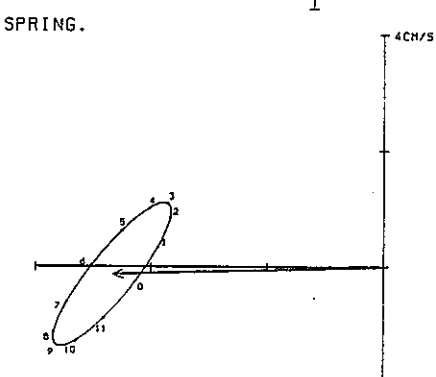
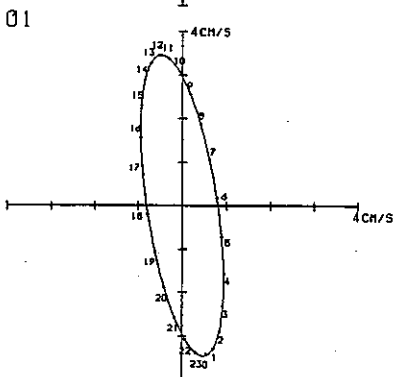
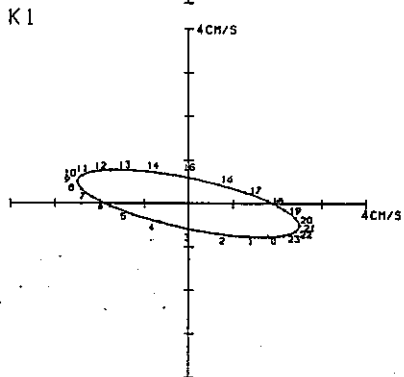
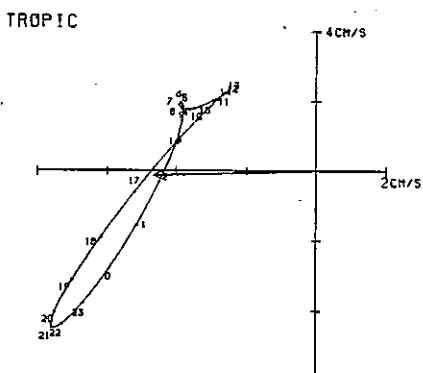
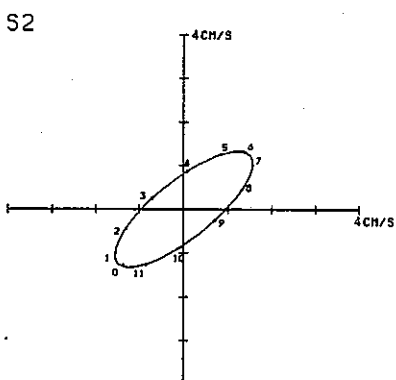
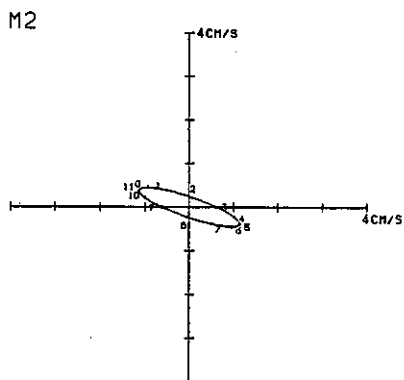
DATE : 1979 / 2 / 17



0-HOUR CORRESPOND TO CULMINATION HOUR OF IMAGINARY HEAVENLY BODY AT OBSERVATION STATION

0-HOUR OF HODOGRAPH CORRESPOND TO CULMINATION HOUR OF THE MOON AT HITACHI

DATE : 1979 / 3 / 15

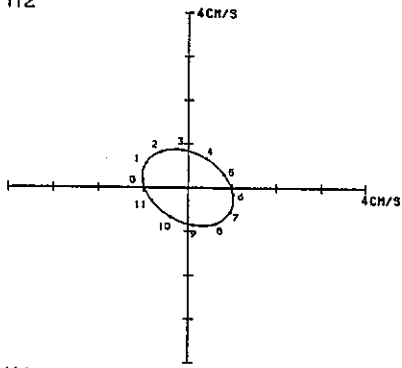


0-HOUR CORRESPOND TO CULMINATION HOUR OF IMAGINARY HEAVENLY BODY AT OBSERVATION STATION

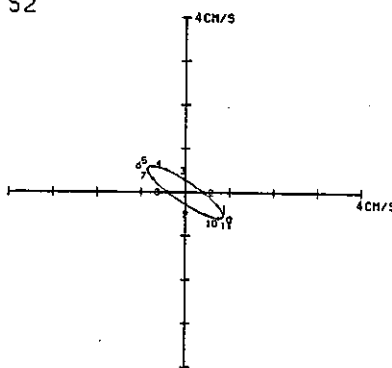
0-HOUR OF HODOGRAPH CORRESPOND TO CULMINATION HOUR OF THE MOON AT HITACHI

DATE : 1979 / 4 / 9

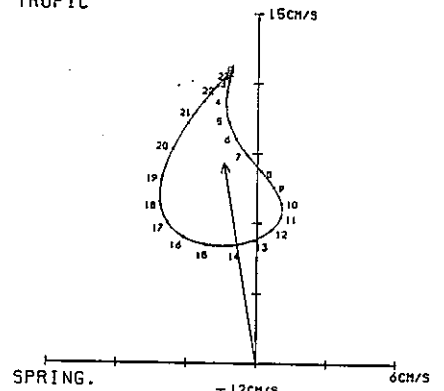
M2



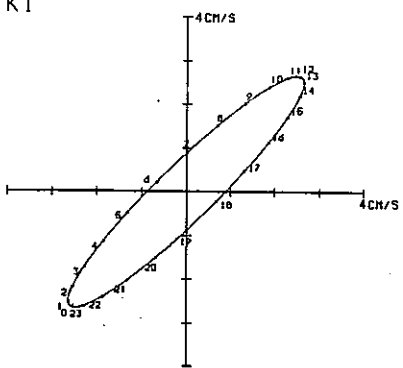
S2



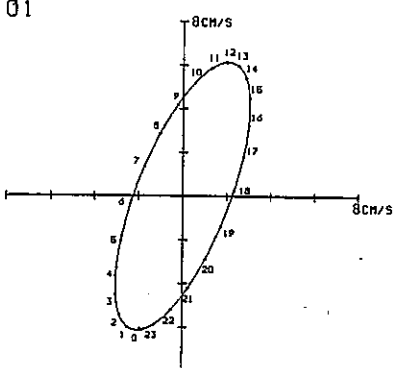
TROPIC



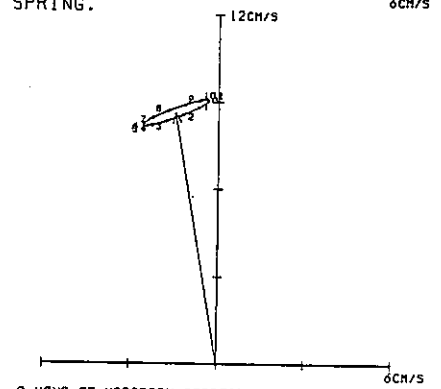
K1



O1



SPRING.

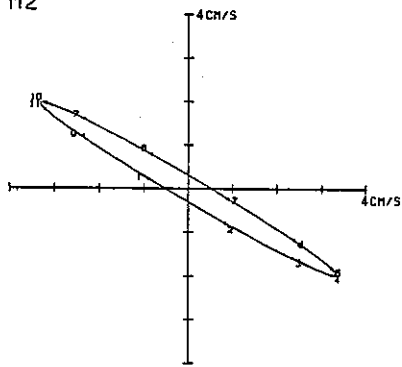


0-HOUR CORRESPOND TO CULMINATION HOUR OF IMAGINARY HEAVENLY BODY AT OBSERVATION STATION

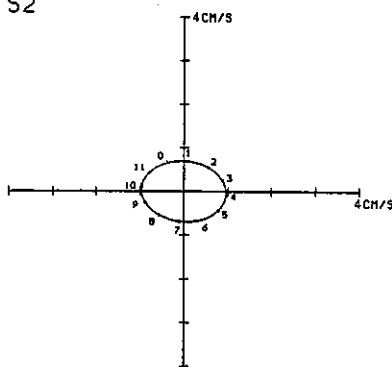
0-HOUR OF HODOGRAPH CORRESPOND TO CULMINATION HOUR OF THE MOON AT HITACHI

DATE : 1979 / 5 / 8

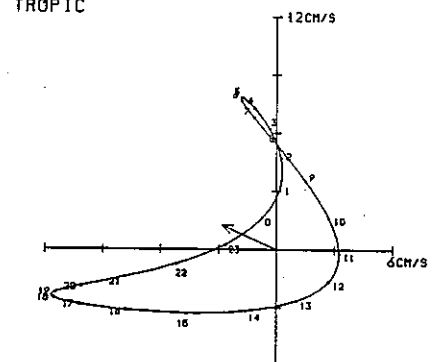
M2



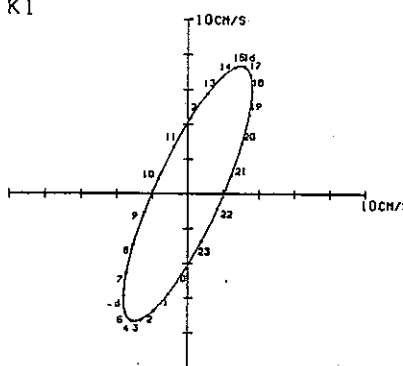
S2



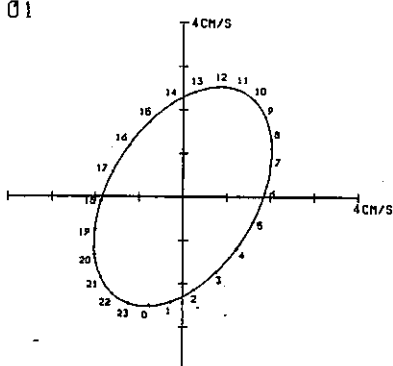
TROPIC



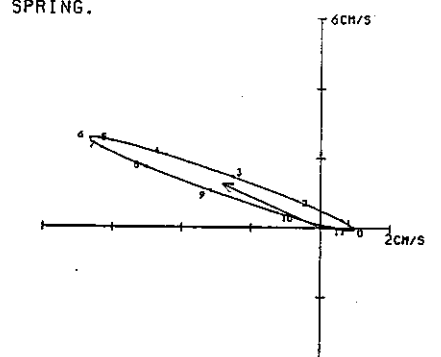
K1



O1



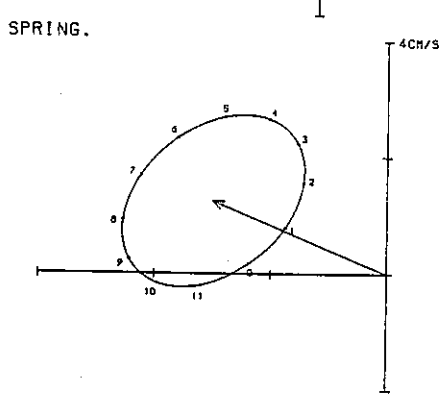
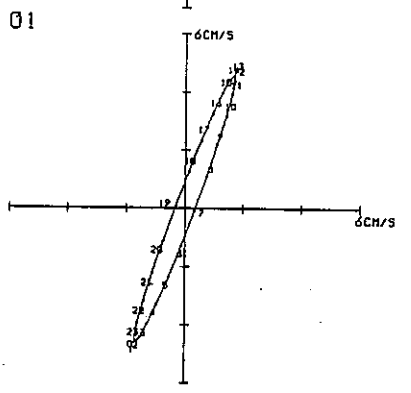
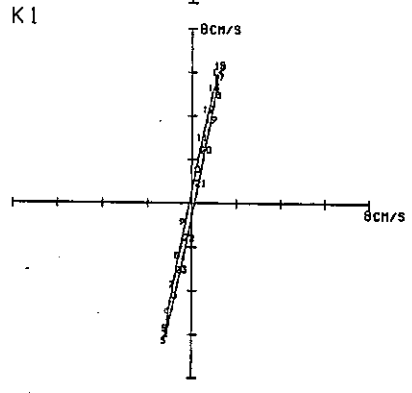
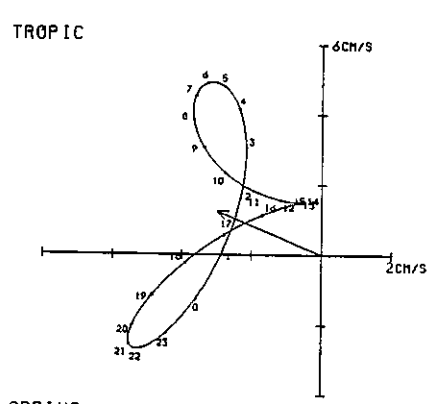
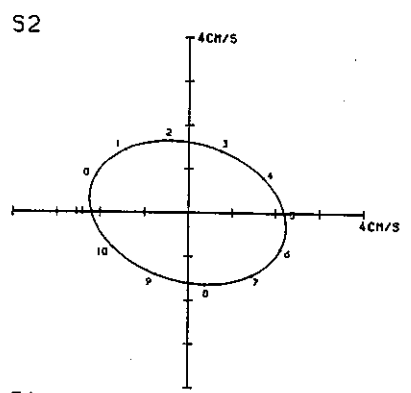
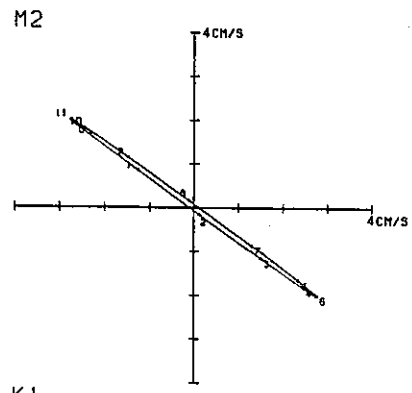
SPRING.



0-HOUR CORRESPOND TO CULMINATION HOUR OF IMAGINARY HEAVENLY BODY AT OBSERVATION STATION

0-HOUR OF HODOGRAPH CORRESPOND TO CULMINATION HOUR OF THE MOON AT HITACHI

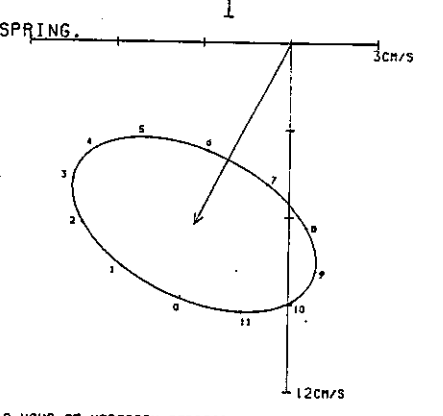
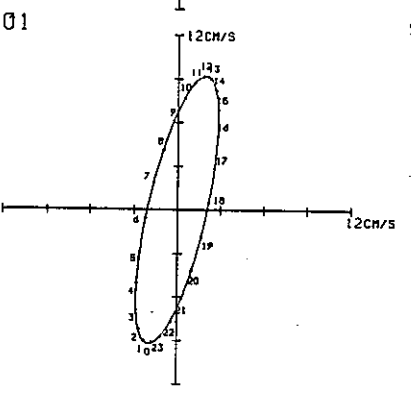
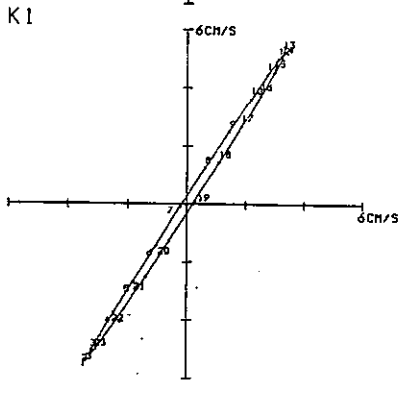
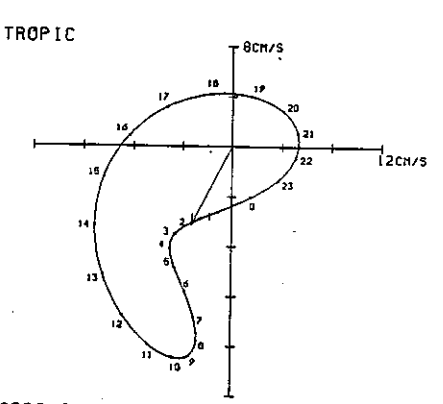
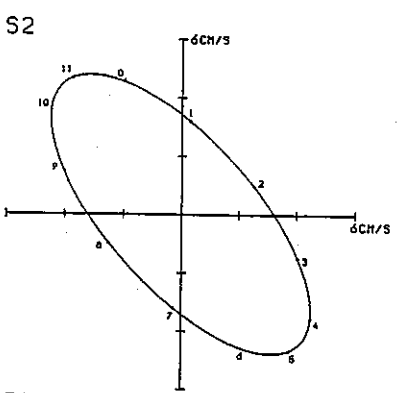
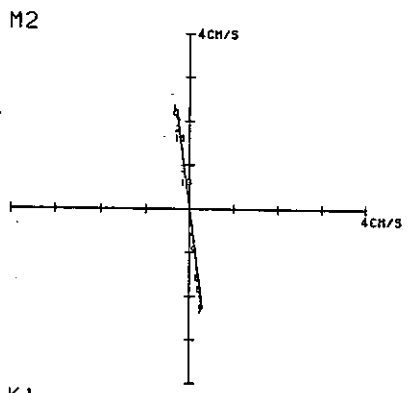
DATE : 1979 / 5 / 23



0-HOUR CORRESPOND TO CULMINATION HOUR OF IMAGINARY HEAVENLY BODY AT OBSERVATION STATION

0-HOUR OF HODGRAPH CORRESPOND TO CULMINATION HOUR OF THE MOON AT HITACHI

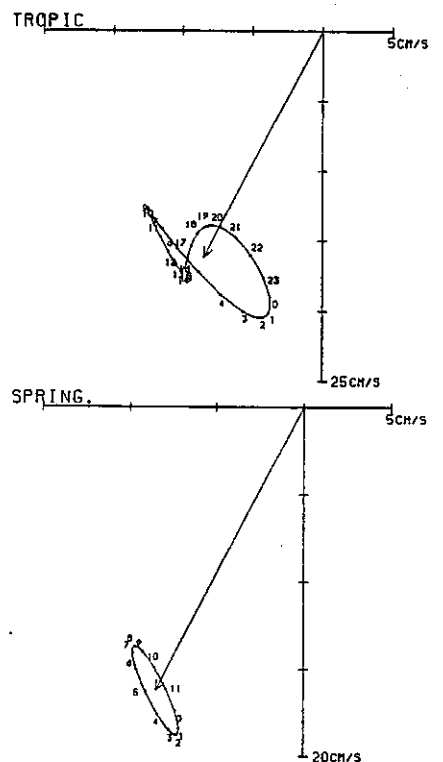
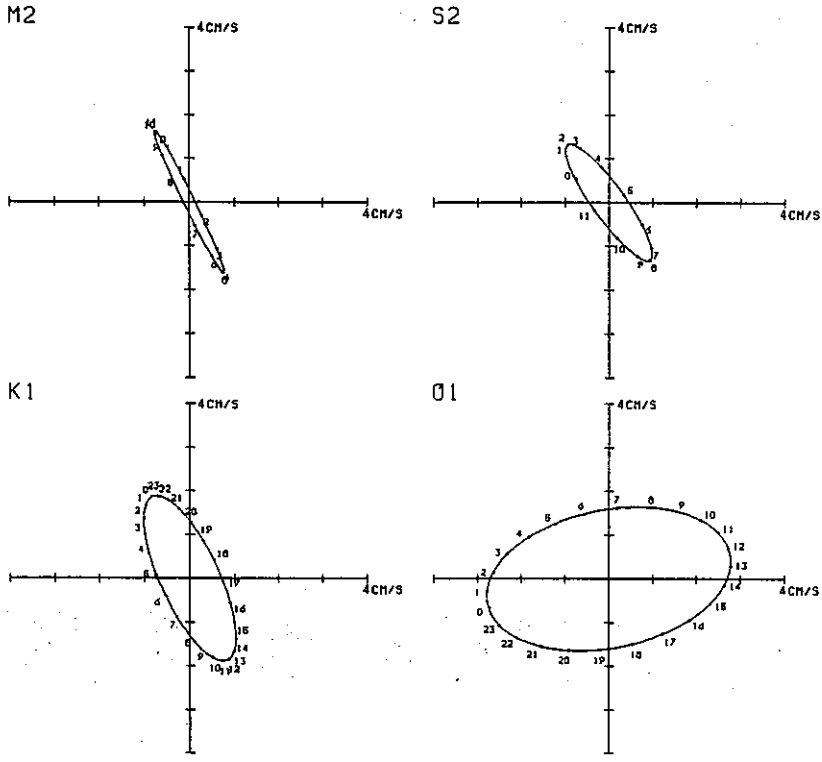
DATE : 1979 / 6 / 4



0-HOUR CORRESPOND TO CULMINATION HOUR OF IMAGINARY HEAVENLY BODY AT OBSERVATION STATION

0-HOUR OF HODGRAPH CORRESPOND TO CULMINATION HOUR OF THE MOON AT HITACHI

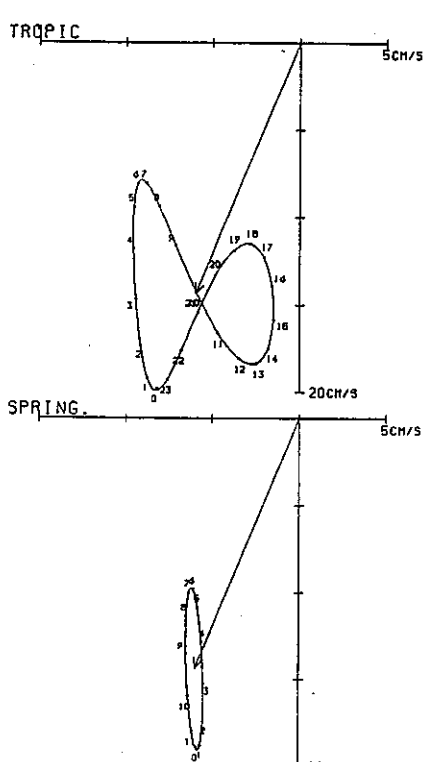
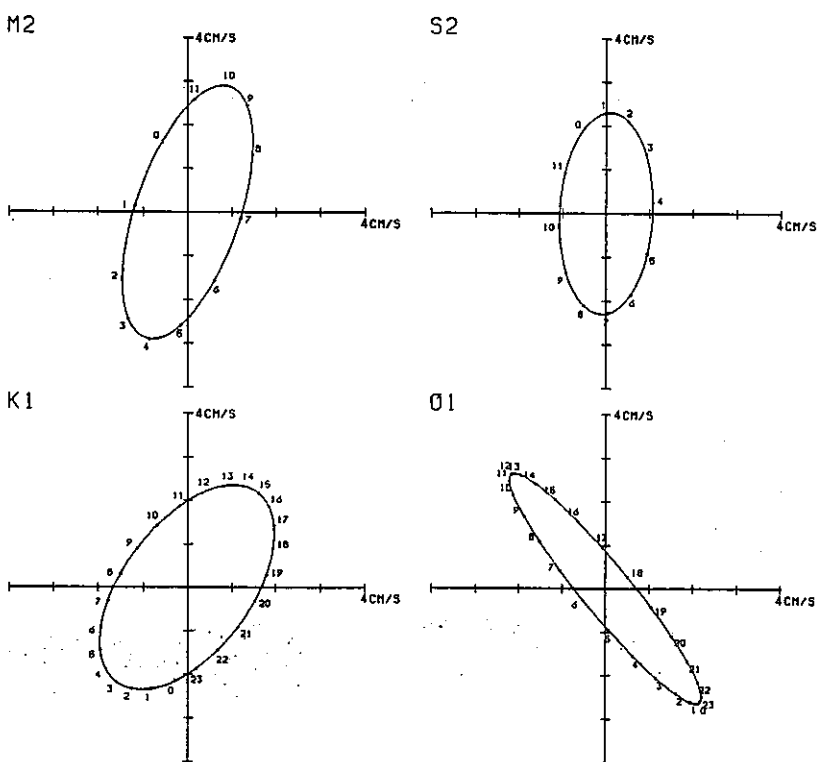
DATE : 1979 / 9 / 11



0-HOUR CORRESPOND TO CULMINATION HOUR OF IMAGINARY HEAVENLY BODY AT OBSERVATION STATION

0-HOUR OF HODGRAPH CORRESPOND TO CULMINATION HOUR OF THE MOON AT HITACHI

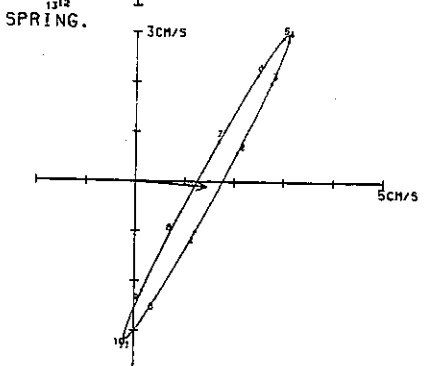
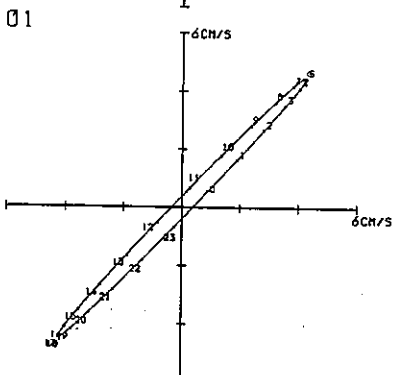
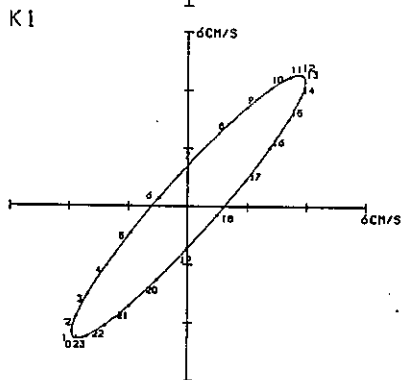
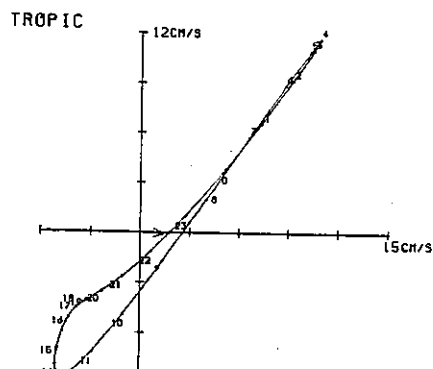
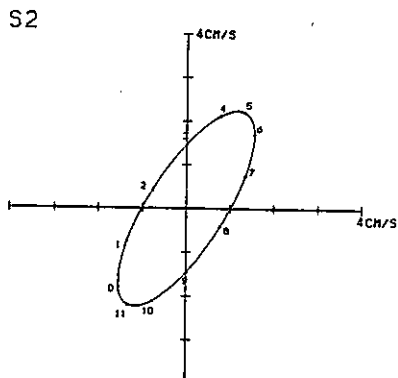
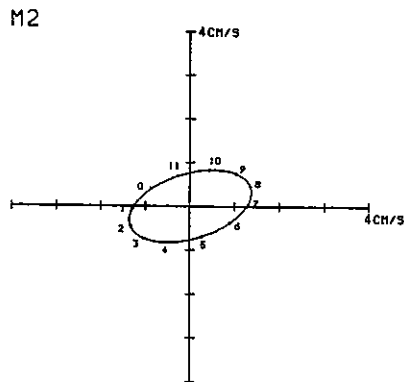
DATE : 1979 / 9 / 28



0-HOUR CORRESPOND TO CULMINATION HOUR OF IMAGINARY HEAVENLY BODY AT OBSERVATION STATION

0-HOUR OF HODGRAPH CORRESPOND TO CULMINATION HOUR OF THE MOON AT HITACHI

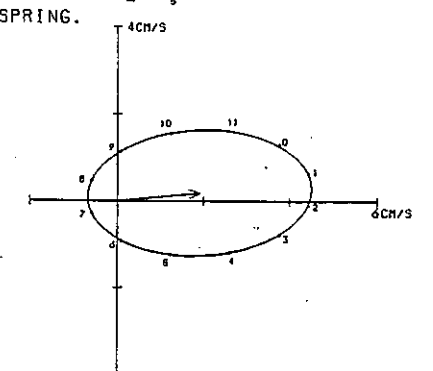
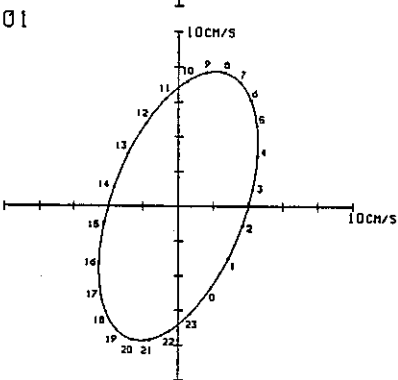
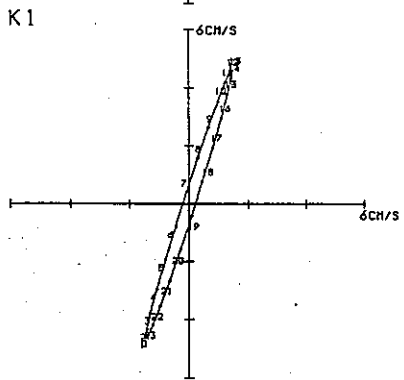
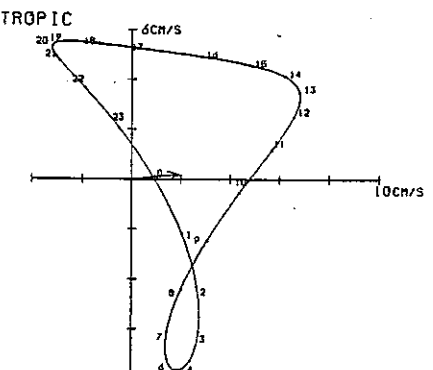
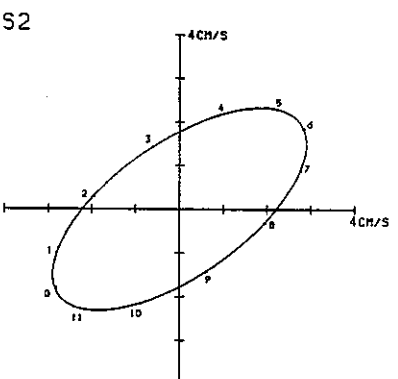
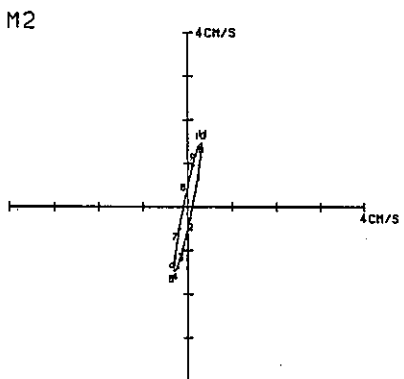
DATE : 1979 / 10 / 8



0-HOUR CORRESPOND TO CULMINATION HOUR OF IMAGINARY HEAVENLY BODY AT OBSERVATION STATION

0-HOUR OF HODOGRAPH CORRESPOND TO CULMINATION HOUR OF THE MOON AT HITACHI

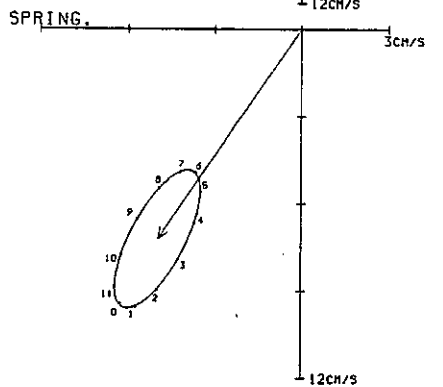
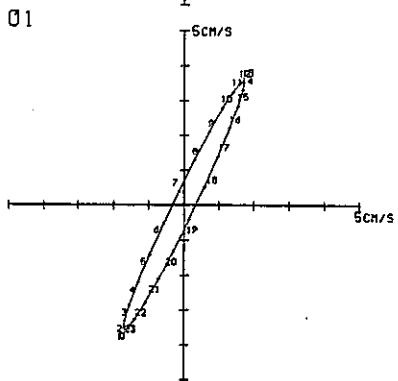
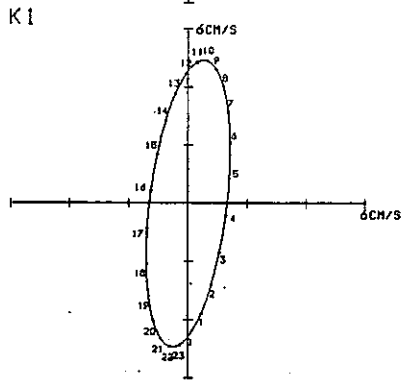
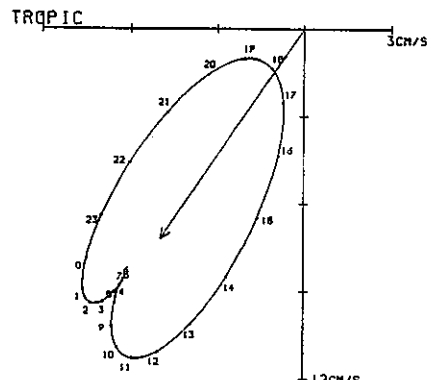
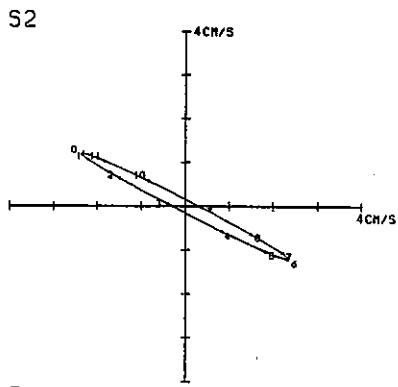
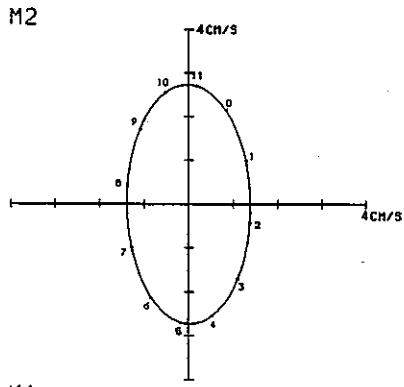
DATE : 1979/10/29



0-HOUR CORRESPOND TO CULMINATION HOUR OF IMAGINARY HEAVENLY BODY AT OBSERVATION STATION

0-HOUR OF HODOGRAPH CORRESPOND TO CULMINATION HOUR OF THE MOON AT HITACHI

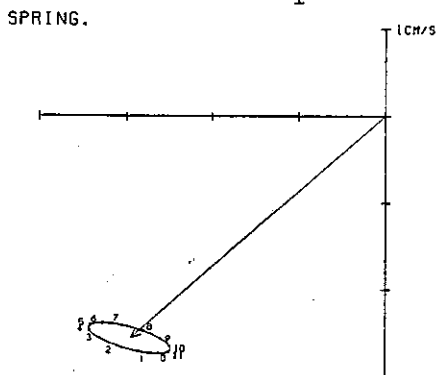
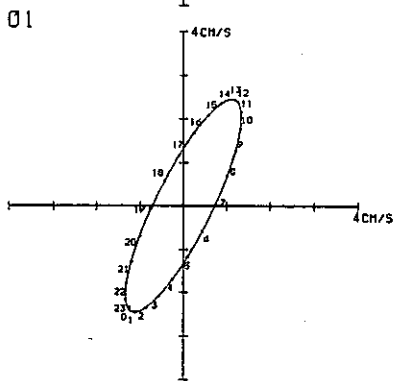
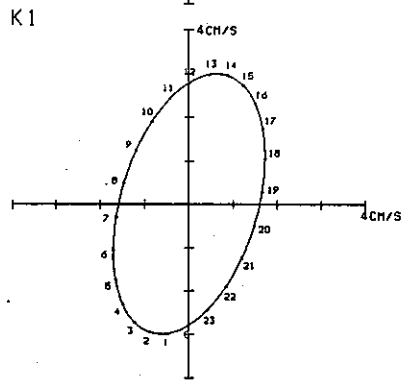
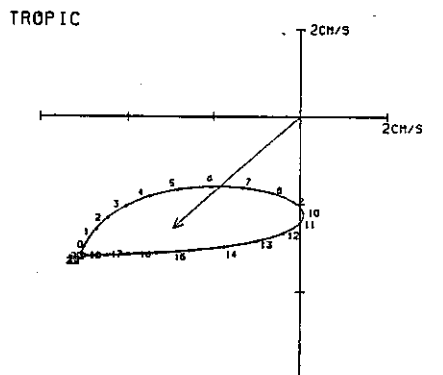
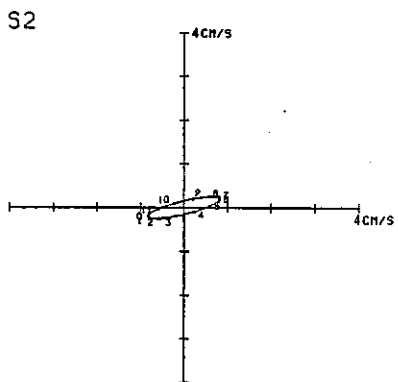
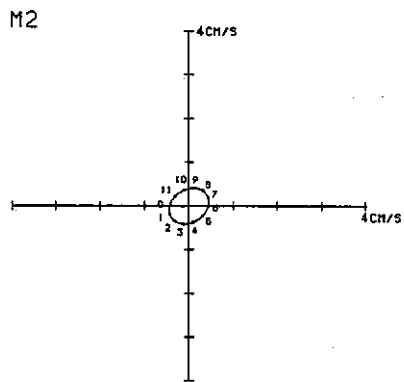
DATE : 1979/11/6



0-HOUR CORRESPOND TO CULMINATION HOUR OF IMAGINARY HEAVENLY BODY AT OBSERVATION STATION

0-HOUR OF HODOGRAPH CORRESPOND TO CULMINATION HOUR OF THE MOON AT HITACHI

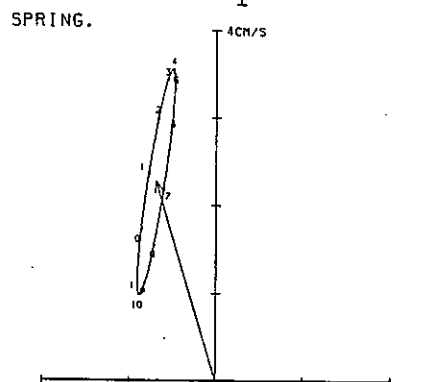
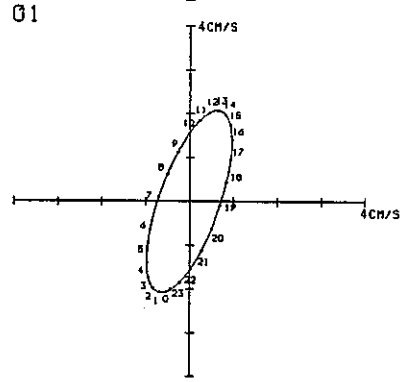
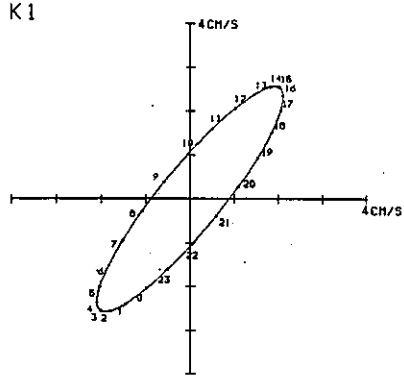
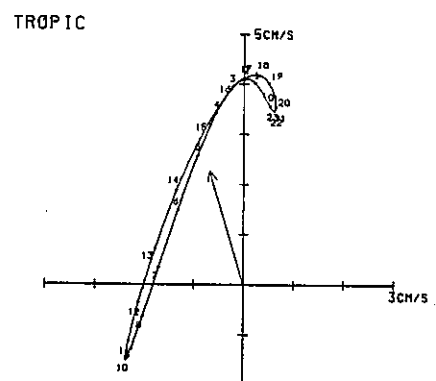
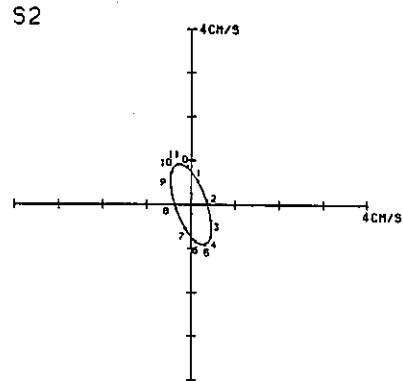
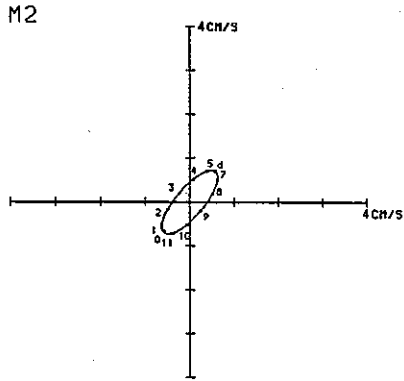
DATE : 1979/11/16



0-HOUR CORRESPOND TO CULMINATION HOUR OF IMAGINARY HEAVENLY BODY AT OBSERVATION STATION

0-HOUR OF HODOGRAPH CORRESPOND TO CULMINATION HOUR OF THE MOON AT HITACHI

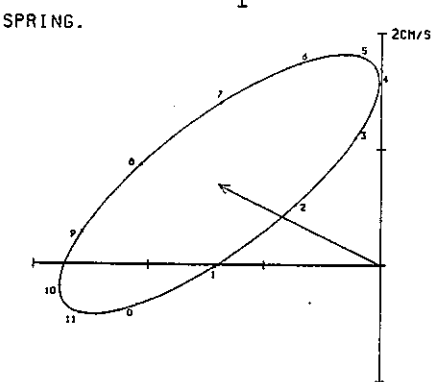
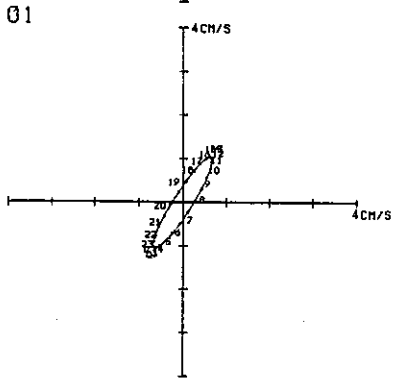
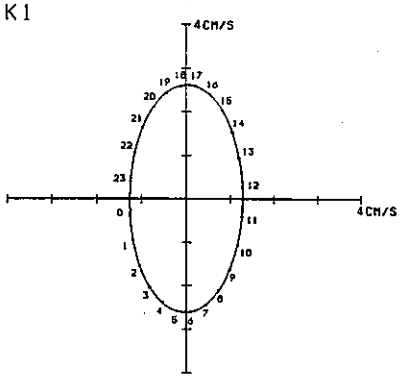
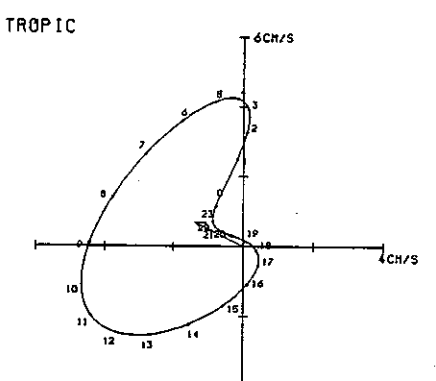
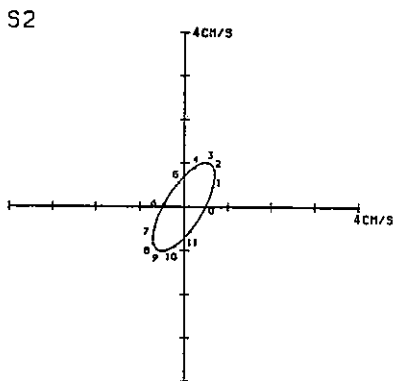
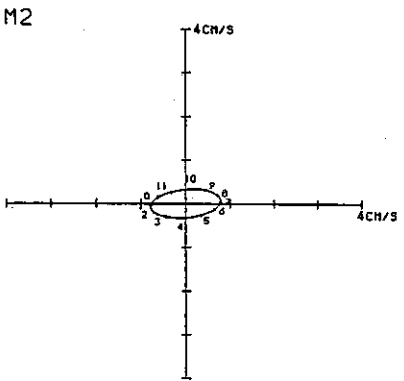
DATE : 1980/1/9



0-HOUR CORRESPOND TO CULMINATION HOUR OF IMAGINARY HEAVENLY BODY AT OBSERVATION STATION

0-HOUR OF HODGRAPH CORRESPOND TO CULMINATION HOUR OF THE MOON AT HITACHI

DATE : 1980 / 1 / 21

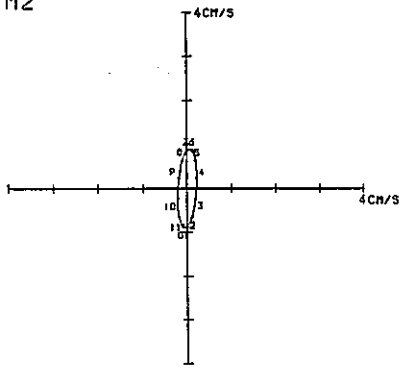


0-HOUR CORRESPOND TO CULMINATION HOUR OF IMAGINARY HEAVENLY BODY AT OBSERVATION STATION

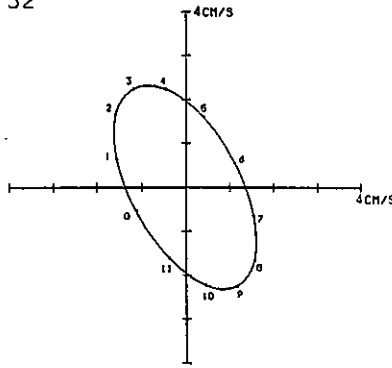
0-HOUR OF HODGRAPH CORRESPOND TO CULMINATION HOUR OF THE MOON AT HITACHI

DATE : 1980 / 2 / 11

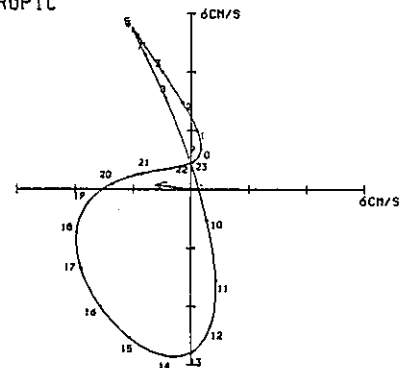
M2



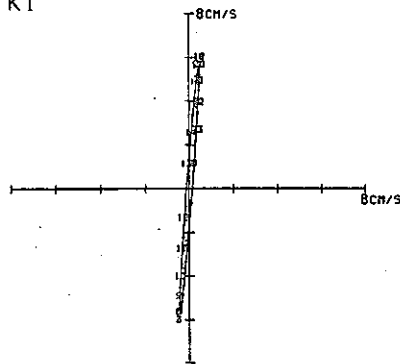
S2



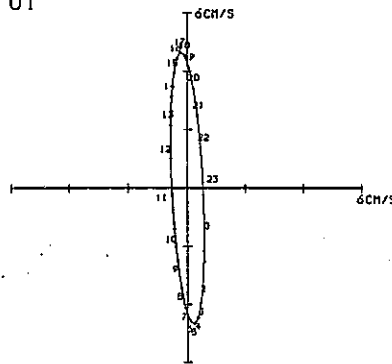
TROPIC



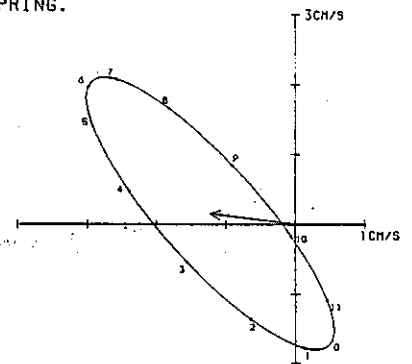
K1



O1



SPRING.

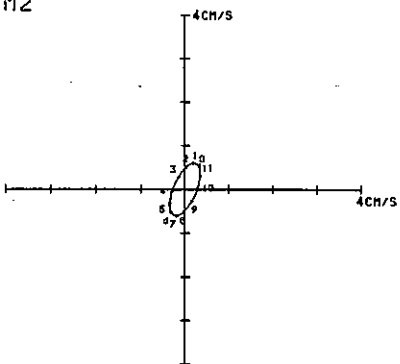


0-HOUR CORRESPOND TO CULMINATION HOUR OF IMAGINARY HEAVENLY BODY AT OBSERVATION STATION

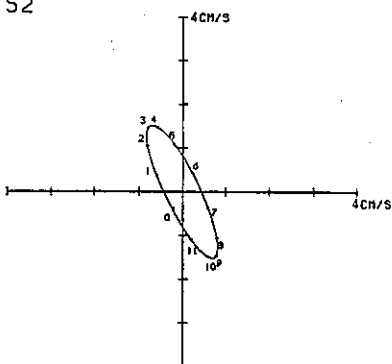
0-HOUR OF HODOGRAPH CORRESPOND TO CULMINATION HOUR OF THE MOON AT HITACHI

DATE : 1980 / 2 / 22

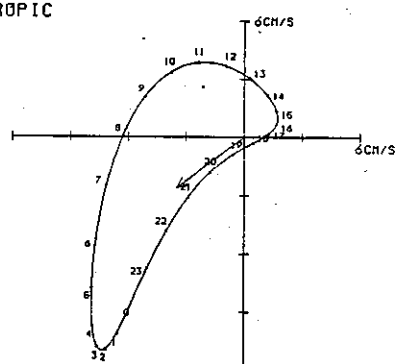
M2



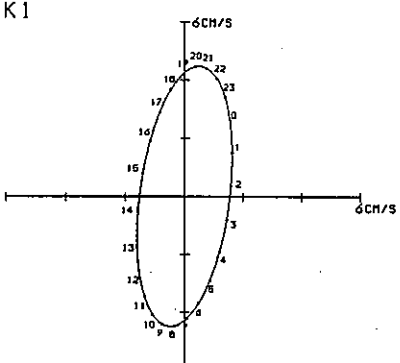
S2



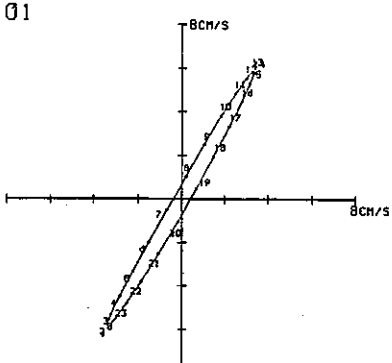
TROPIC



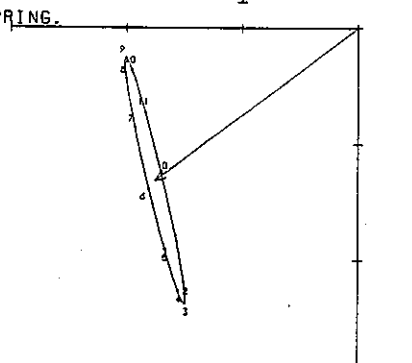
K1



O1



SPRING.

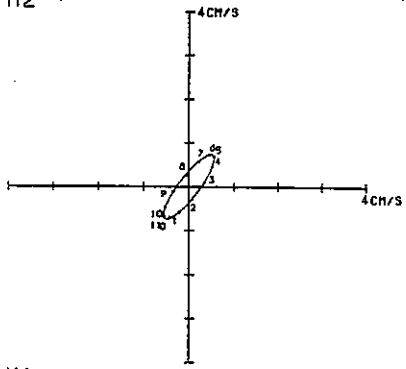


0-HOUR CORRESPOND TO CULMINATION HOUR OF IMAGINARY HEAVENLY BODY AT OBSERVATION STATION

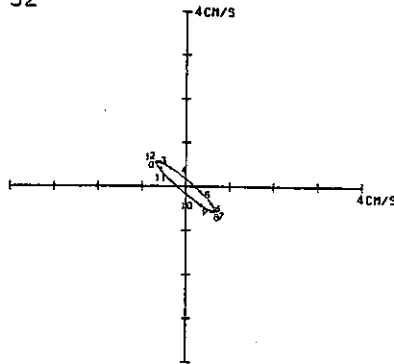
0-HOUR OF HODOGRAPH CORRESPOND TO CULMINATION HOUR OF THE MOON AT HITACHI

DATE : 1980 / 3 / 5

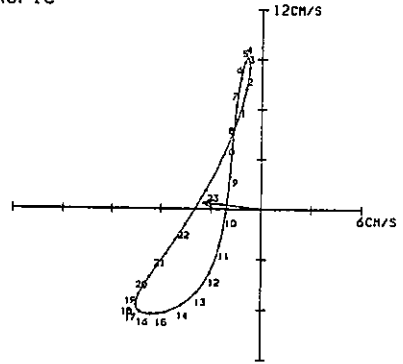
M2



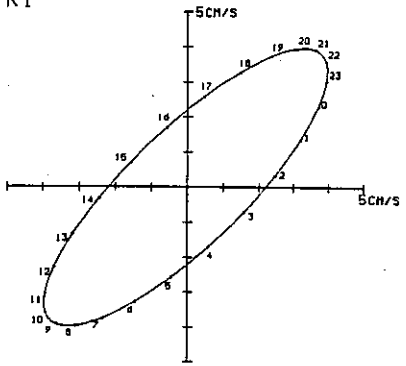
S2



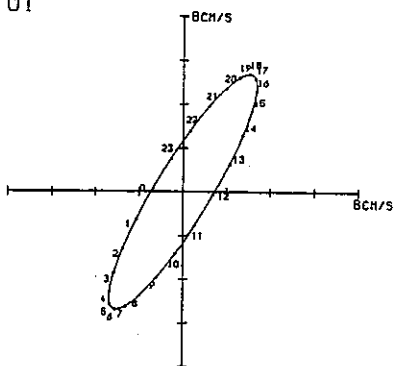
TROPIC



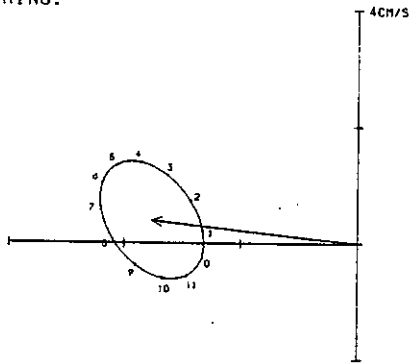
K1



O1



SPRING.

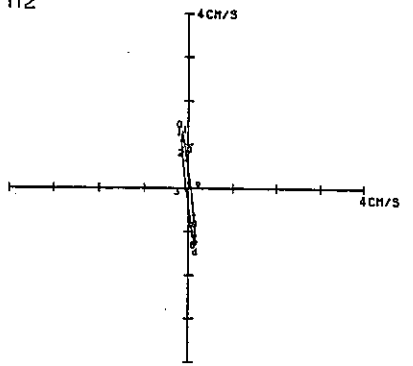


0-HOUR CORRESPOND TO CULMINATION HOUR OF IMAGINARY HEAVENLY BODY AT OBSERVATION STATION

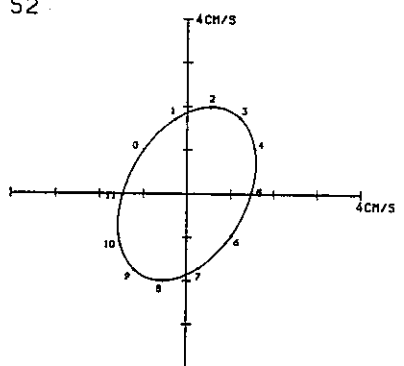
0-HOUR OF HODOGRAPH CORRESPOND TO CULMINATION HOUR OF THE MOON AT HITACHI

DATE : 1980 / 3 / 23

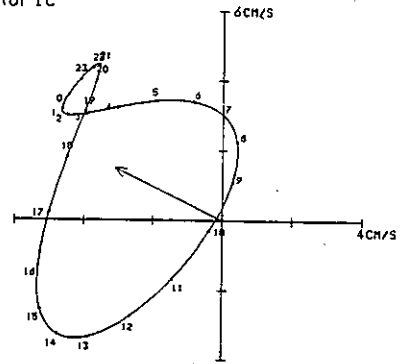
M2



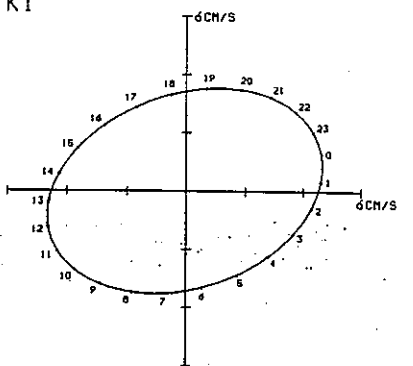
S2



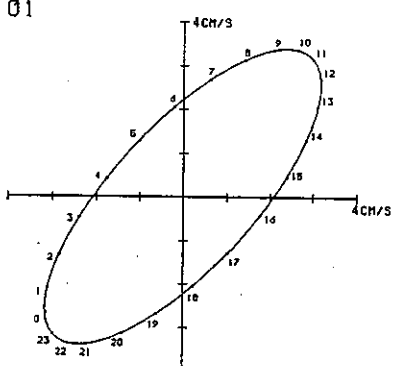
TROPIC



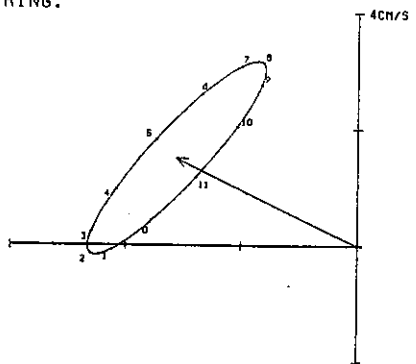
K1



O1



SPRING.

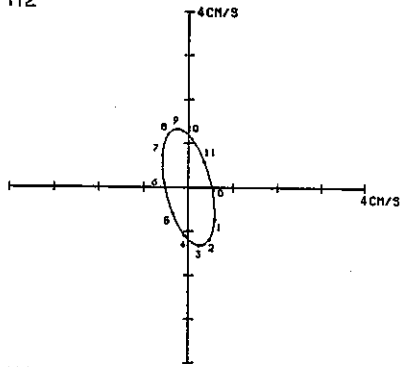


0-HOUR CORRESPOND TO CULMINATION HOUR OF IMAGINARY HEAVENLY BODY AT OBSERVATION STATION

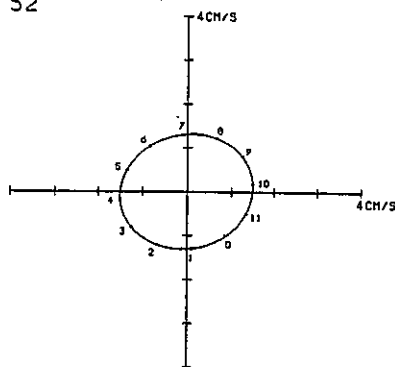
0-HOUR OF HODOGRAPH CORRESPOND TO CULMINATION HOUR OF THE MOON AT HITACHI

DATE : 1980 / 4 / 8

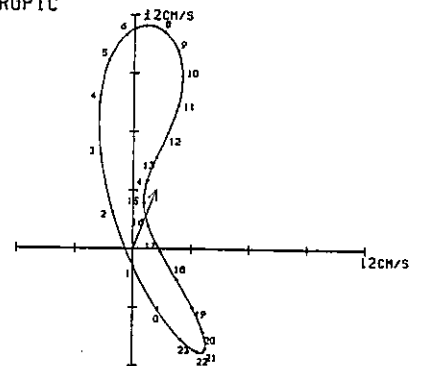
M2



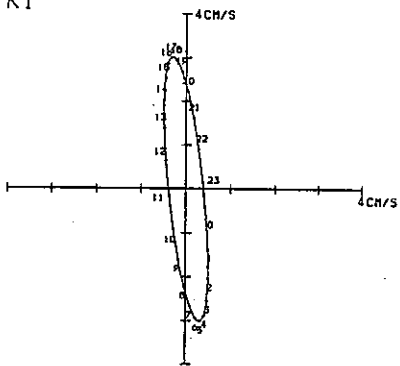
S2



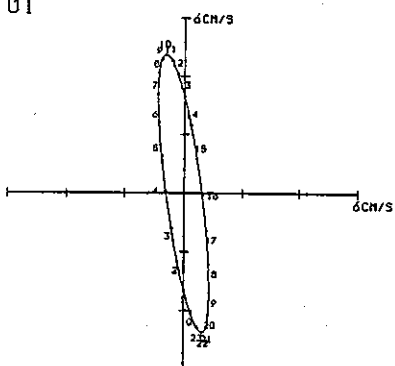
TROPIC



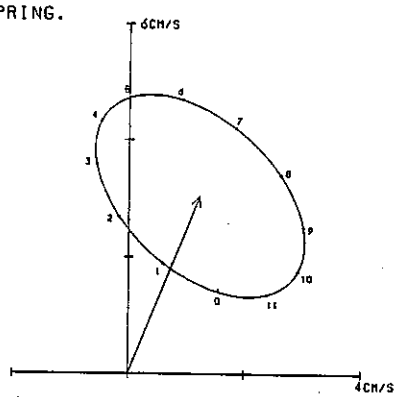
K1



O1



SPRING.

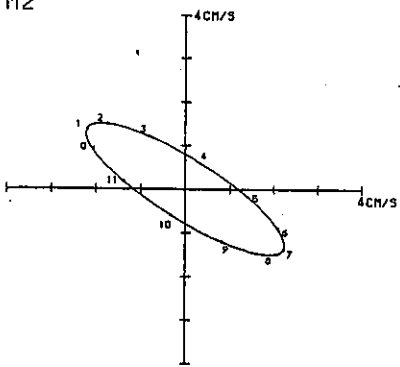


0-HOUR CORRESPOND TO CULMINATION HOUR OF IMAGINARY HEAVENLY BODY AT OBSERVATION STATION

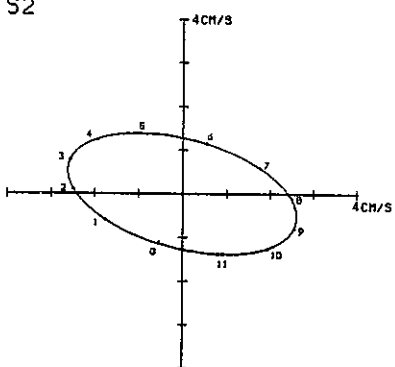
0-HOUR OF HODGRAPH CORRESPOND TO CULMINATION HOUR OF THE MOON AT HITACHI

DATE : 1980 / 5 / 8

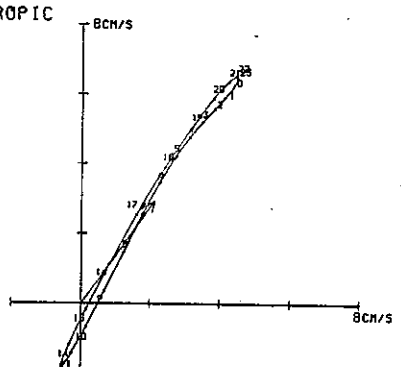
M2



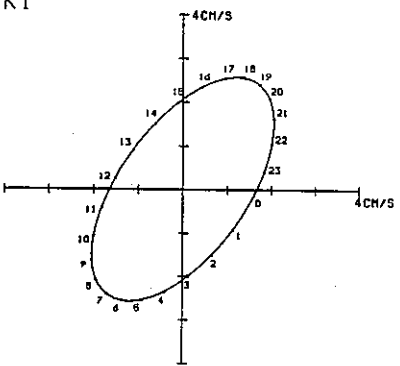
S2



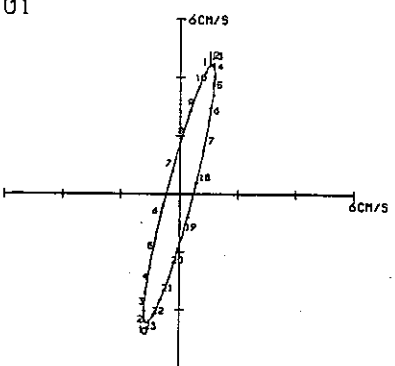
TROPIC



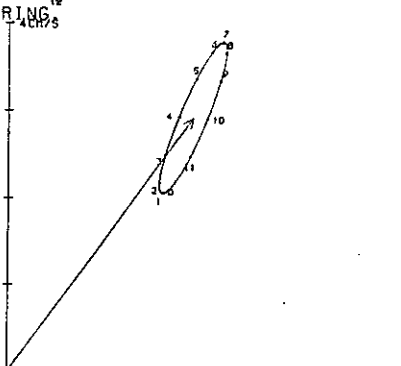
K1



O1



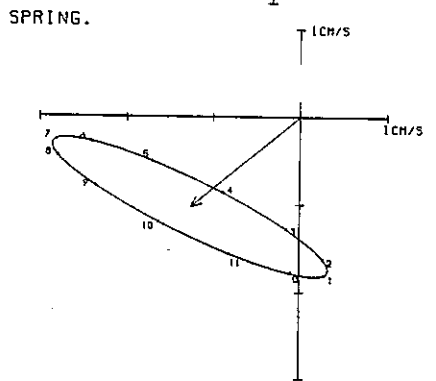
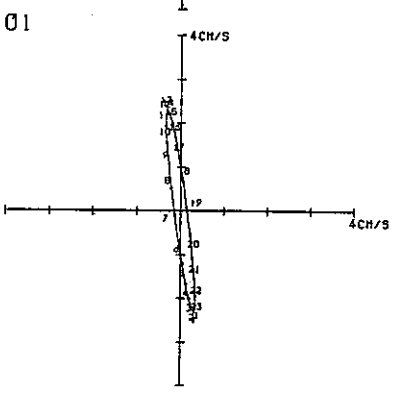
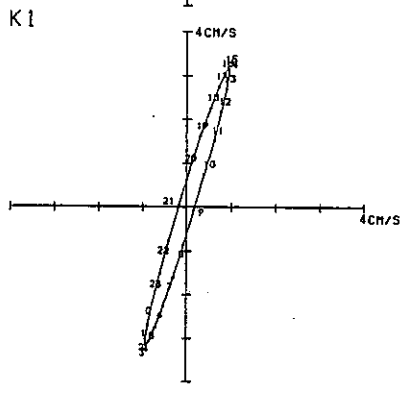
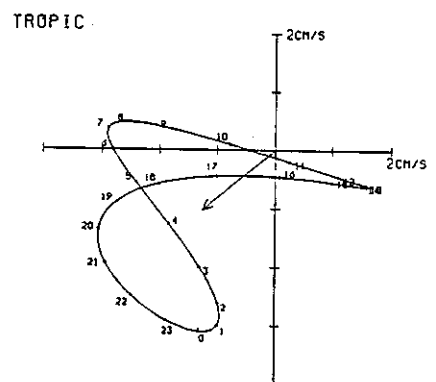
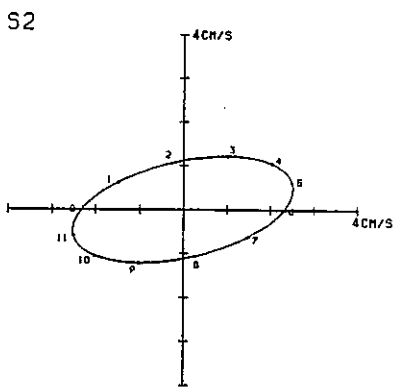
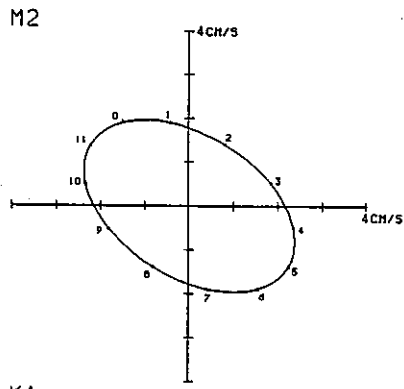
SPRING



0-HOUR CORRESPOND TO CULMINATION HOUR OF IMAGINARY HEAVENLY BODY AT OBSERVATION STATION

0-HOUR OF HODGRAPH CORRESPOND TO CULMINATION HOUR OF THE MOON AT HITACHI

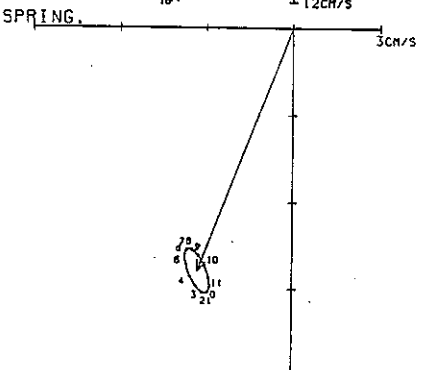
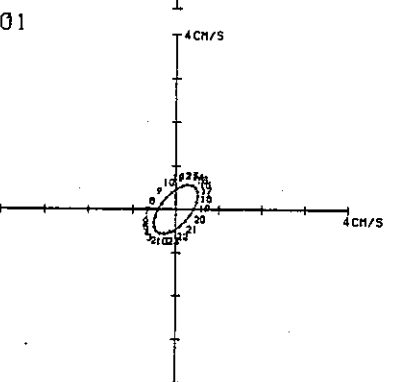
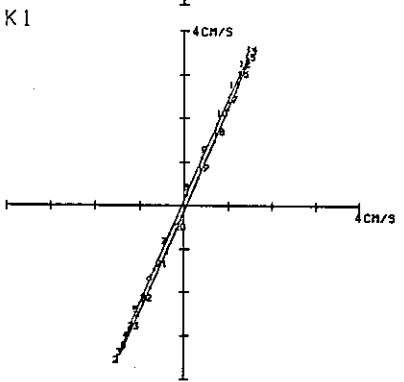
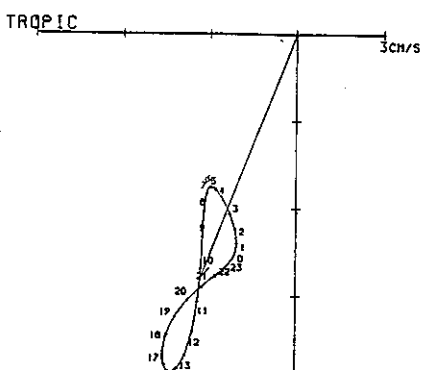
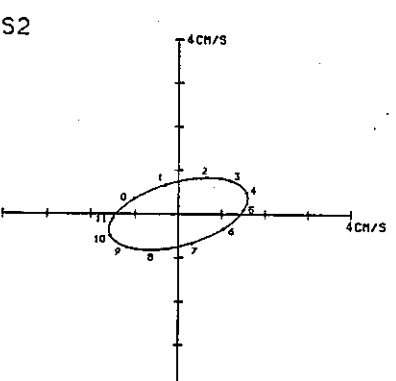
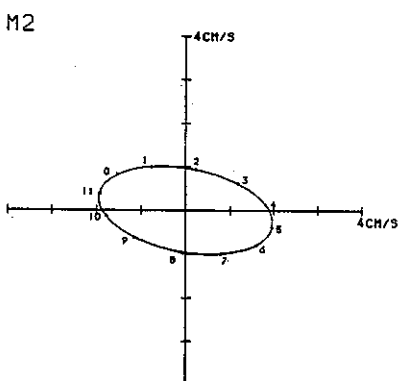
DATE : 1980 / 6 / 8



0-HOUR CORRESPOND TO CULMINATION HOUR OF IMAGINARY HEAVENLY BODY AT OBSERVATION STATION

0-HOUR OF HODOGRAPH CORRESPOND TO CULMINATION HOUR OF THE MOON AT HITACHI

DATE : 1980 / 6 / 23

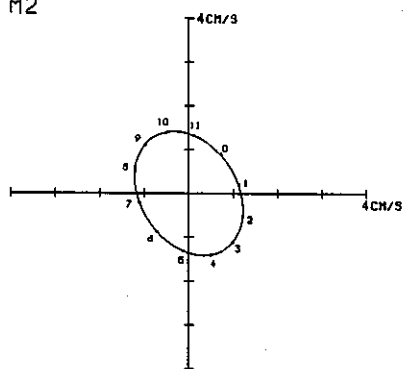


0-HOUR CORRESPOND TO CULMINATION HOUR OF IMAGINARY HEAVENLY BODY AT OBSERVATION STATION

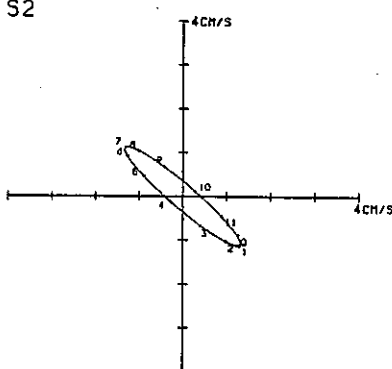
0-HOUR OF HODOGRAPH CORRESPOND TO CULMINATION HOUR OF THE MOON AT HITACHI

DATE : 1980 / 7 / 4

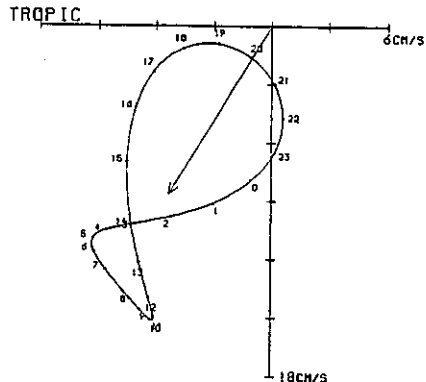
M2



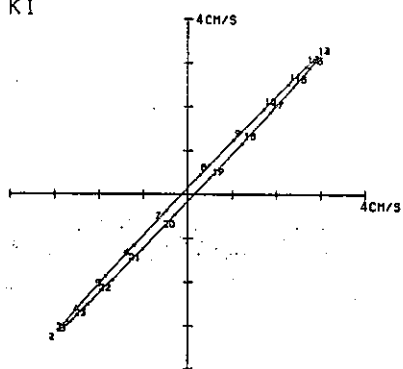
S2



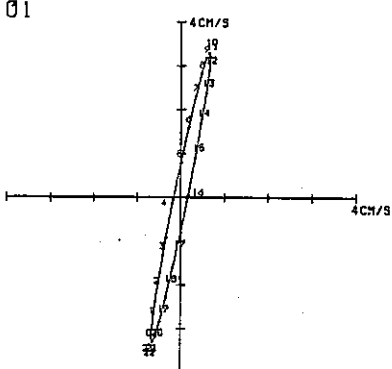
TRQPIC



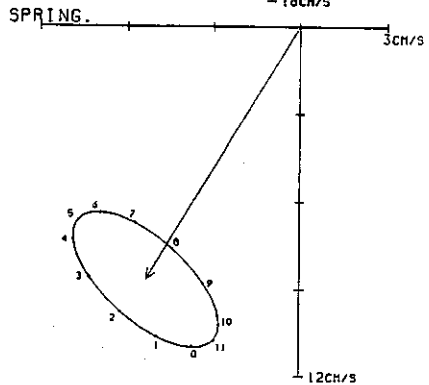
K1



01



SPRING

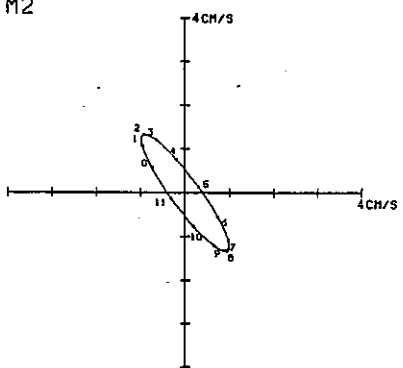


0-HOUR CORRESPOND TO CULMINATION HOUR OF IMAGINARY HEAVENLY BODY AT OBSERVATION STATION

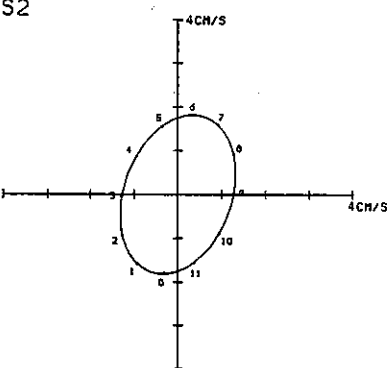
0-HOUR OF HODOGRAPH CORRESPOND TO CULMINATION HOUR OF THE MOON AT HITACHI

DATE : 1980 / 7 / 26

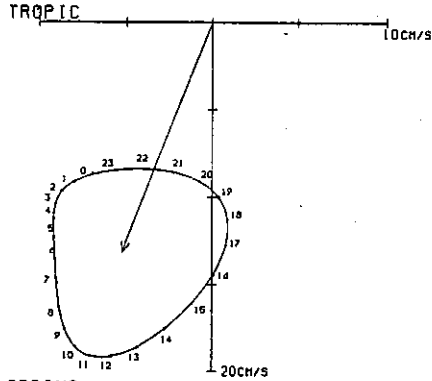
M2



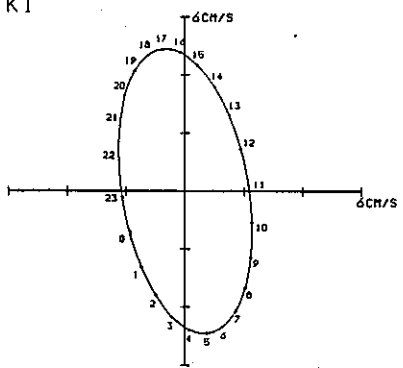
S2



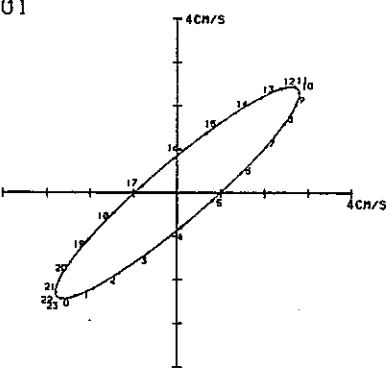
TRQPIC



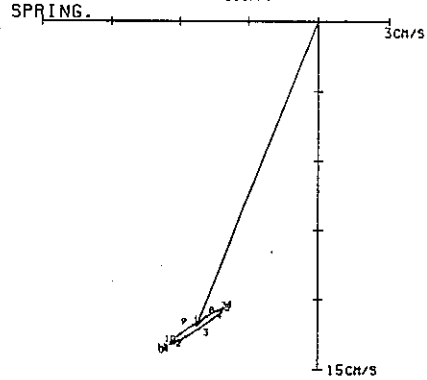
K1



01



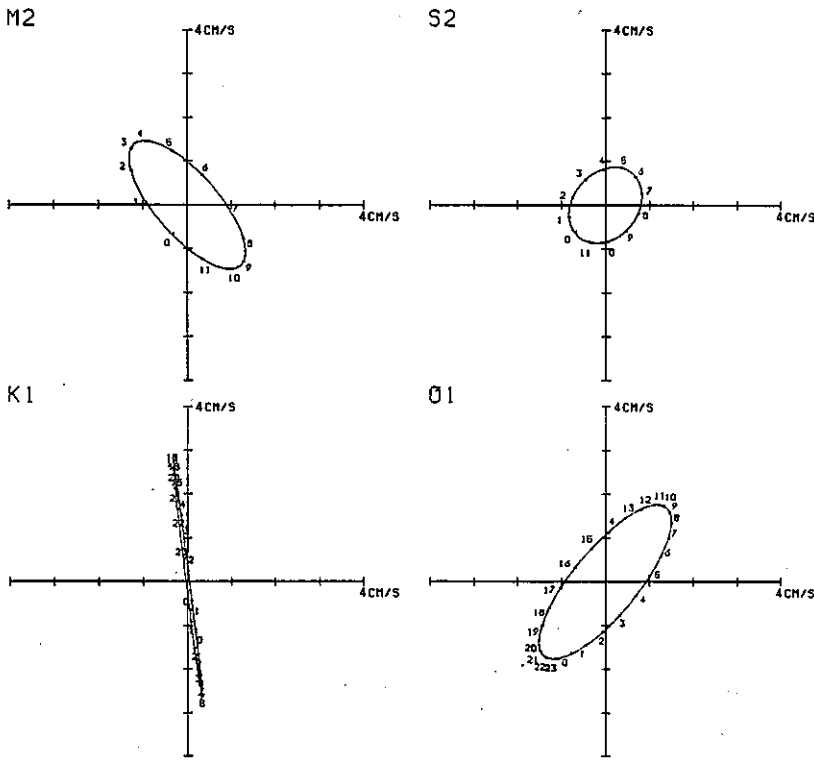
SPRING



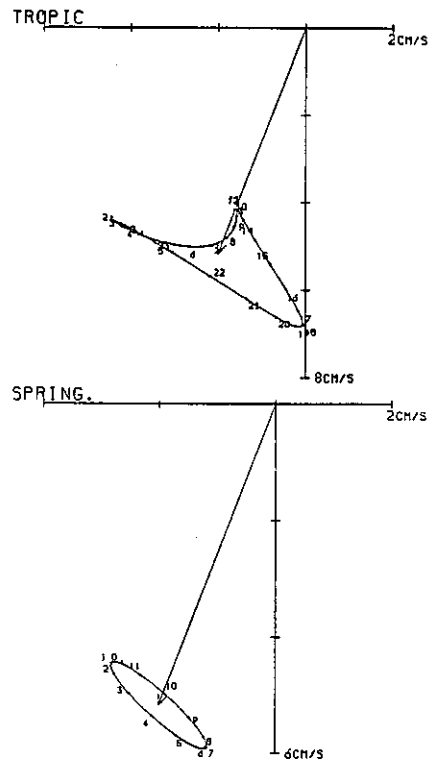
0-HOUR CORRESPOND TO CULMINATION HOUR OF IMAGINARY HEAVENLY BODY AT OBSERVATION STATION

0-HOUR OF HODOGRAPH CORRESPOND TO CULMINATION HOUR OF THE MOON AT HITACHI

DATE : 1980 / 8 / 8

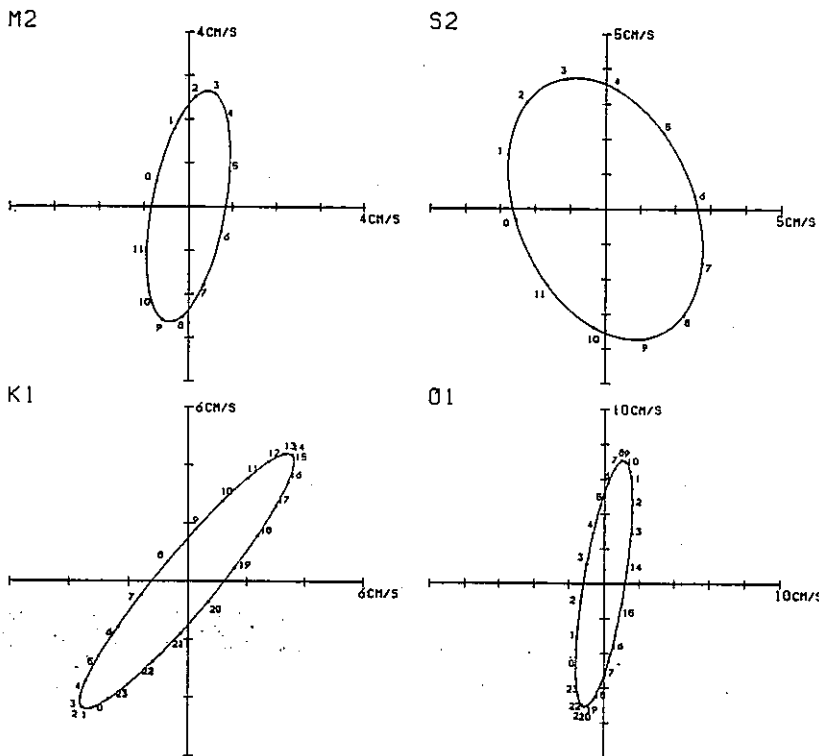


0-HOUR CORRESPOND TO CULMINATION HOUR OF IMAGINARY HEAVENLY BODY AT OBSERVATION STATION

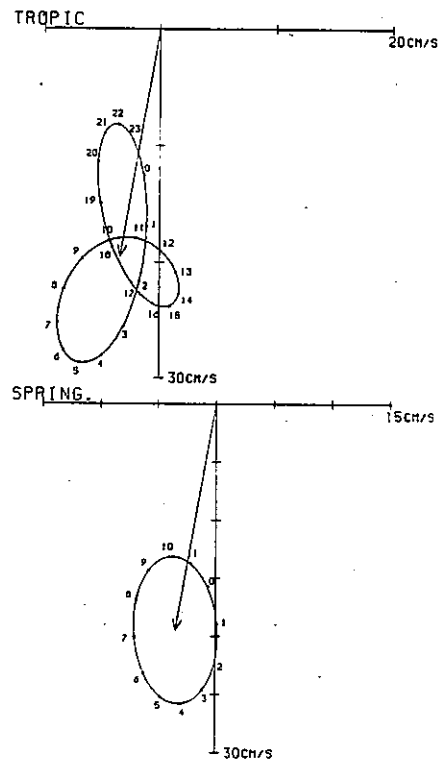


0-HOUR OF HODGRAPH CORRESPOND TO CULMINATION HOUR OF THE MOON AT HITACHI

DATE : 1980 / 8 / 18



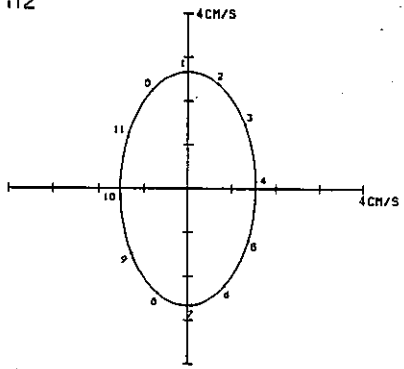
0-HOUR CORRESPOND TO CULMINATION HOUR OF IMAGINARY HEAVENLY BODY AT OBSERVATION STATION



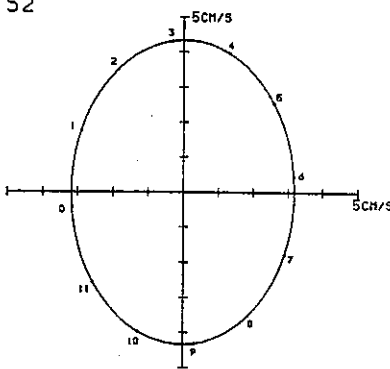
0-HOUR OF HODGRAPH CORRESPOND TO CULMINATION HOUR OF THE MOON AT HITACHI

DATE : 1980 / 9 / 26

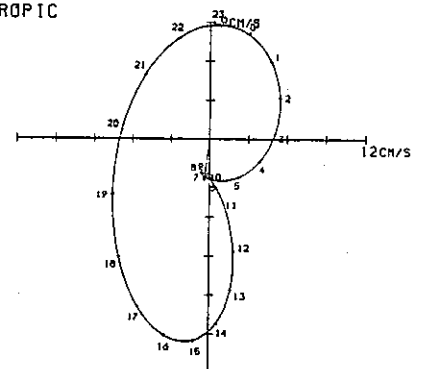
M2



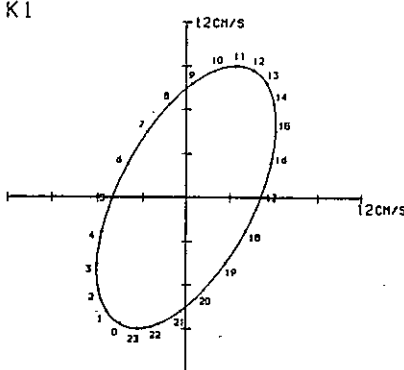
S2



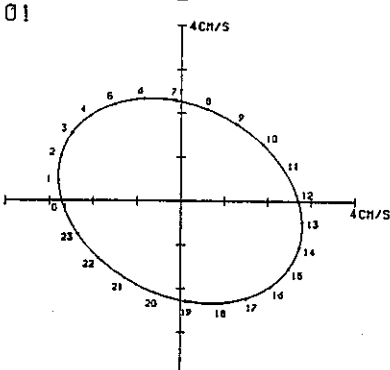
TROPIC



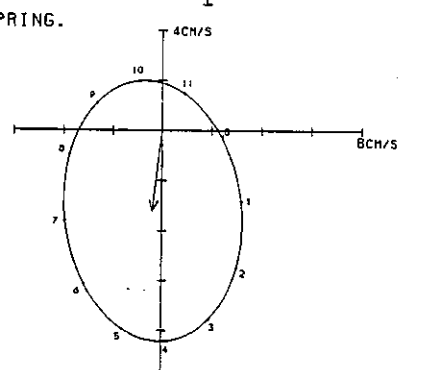
K1



O1



SPRING.

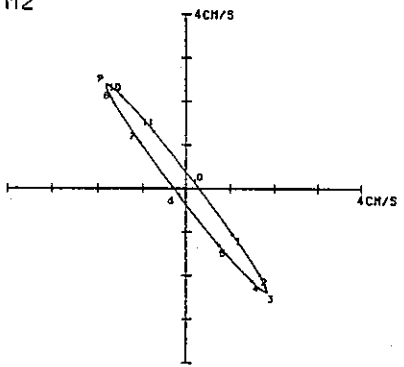


0-HOUR CORRESPOND TO CULMINATION HOUR OF IMAGINARY HEAVENLY BODY AT OBSERVATION STATION

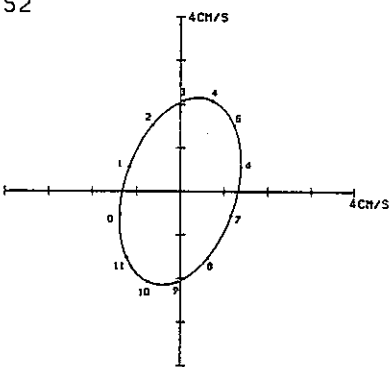
0-HOUR OF HODGRAPH CORRESPOND TO CULMINATION HOUR OF THE MOON AT HITACHI

DATE : 1980/10/8

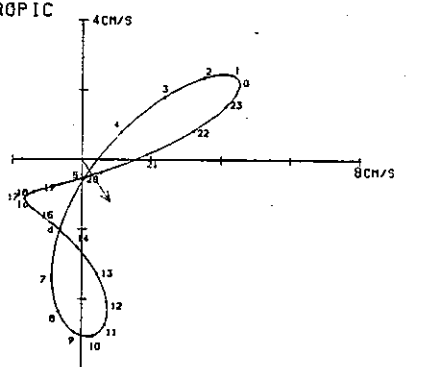
M2



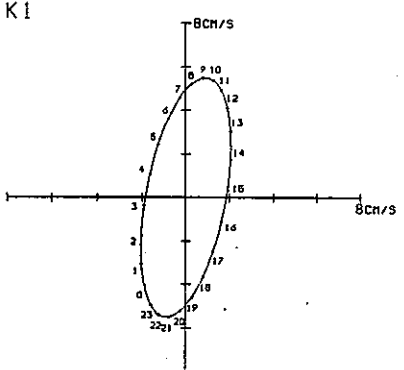
S2



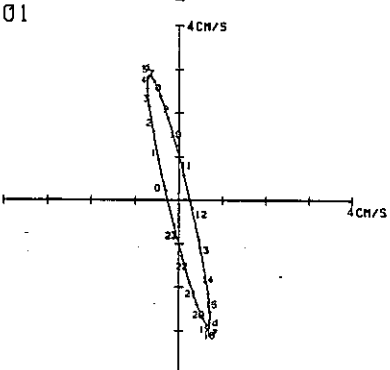
TROPIC



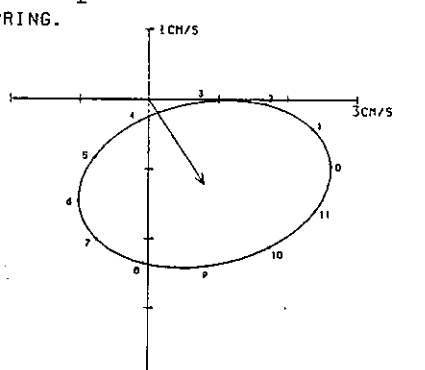
K1



O1



SPRING.

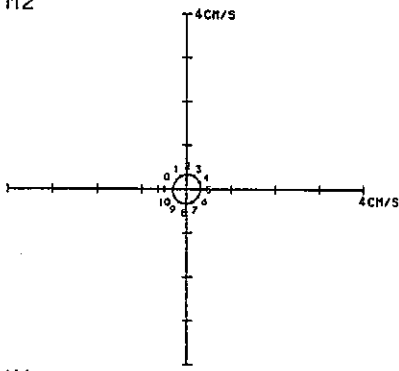


0-HOUR CORRESPOND TO CULMINATION HOUR OF IMAGINARY HEAVENLY BODY AT OBSERVATION STATION

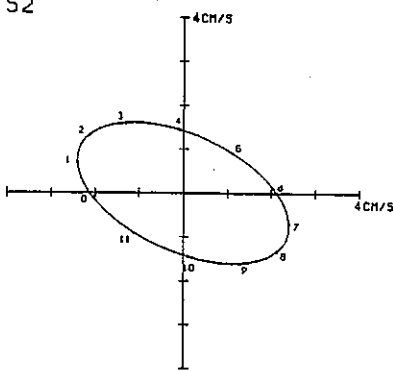
0-HOUR OF HODGRAPH CORRESPOND TO CULMINATION HOUR OF THE MOON AT HITACHI

DATE : 1980/10/23

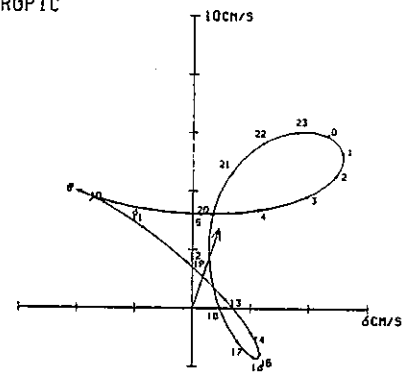
M2



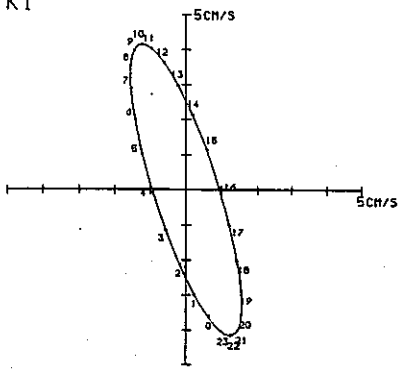
S2



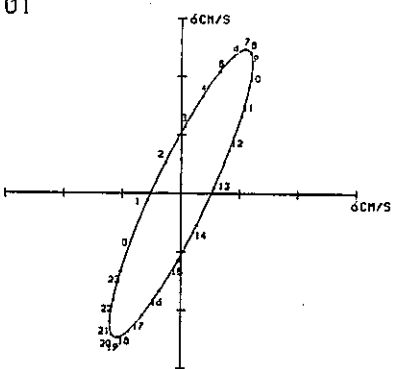
TROPIC



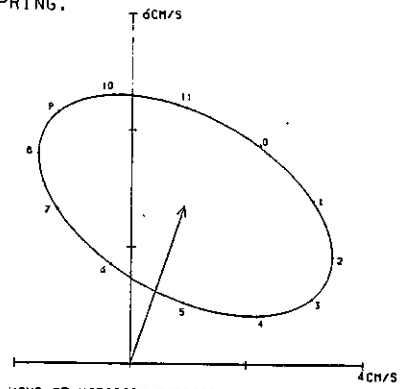
K1



O1



SPRING.

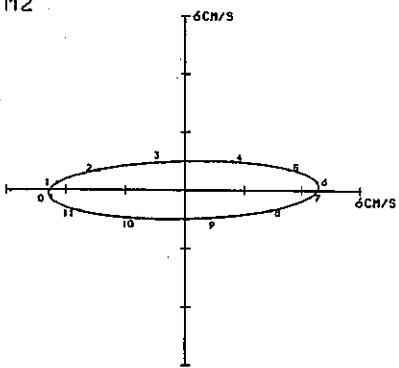


0-HOUR CORRESPOND TO CULMINATION HOUR OF IMAGINARY HEAVENLY BODY AT OBSERVATION STATION

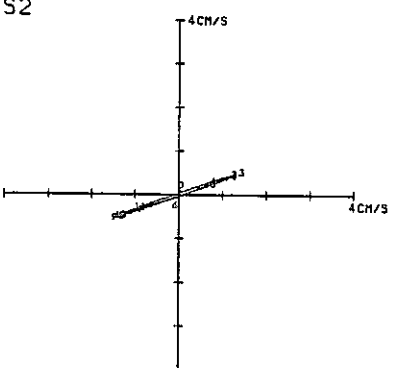
0-HOUR OF HODOGRAPH CORRESPOND TO CULMINATION HOUR OF THE MOON AT HITACHI

DATE : 1980/11/8

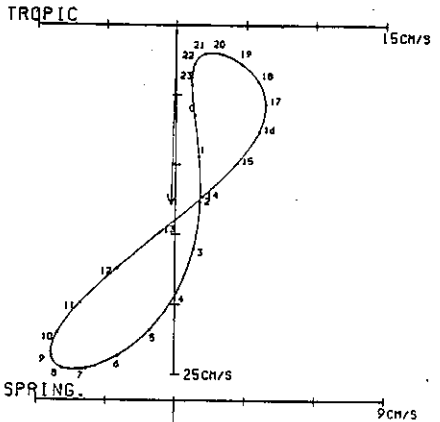
M2



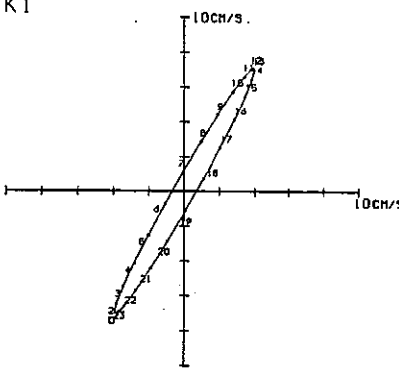
S2



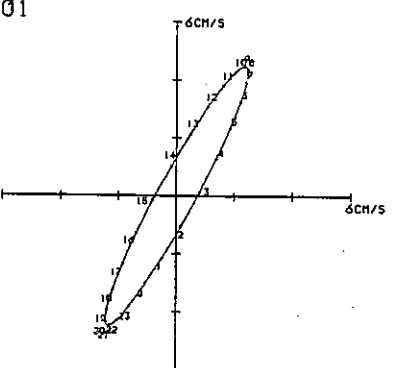
TROPIC



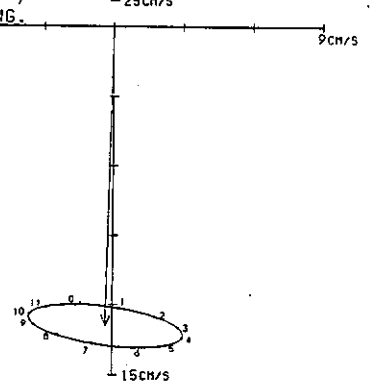
K1



O1



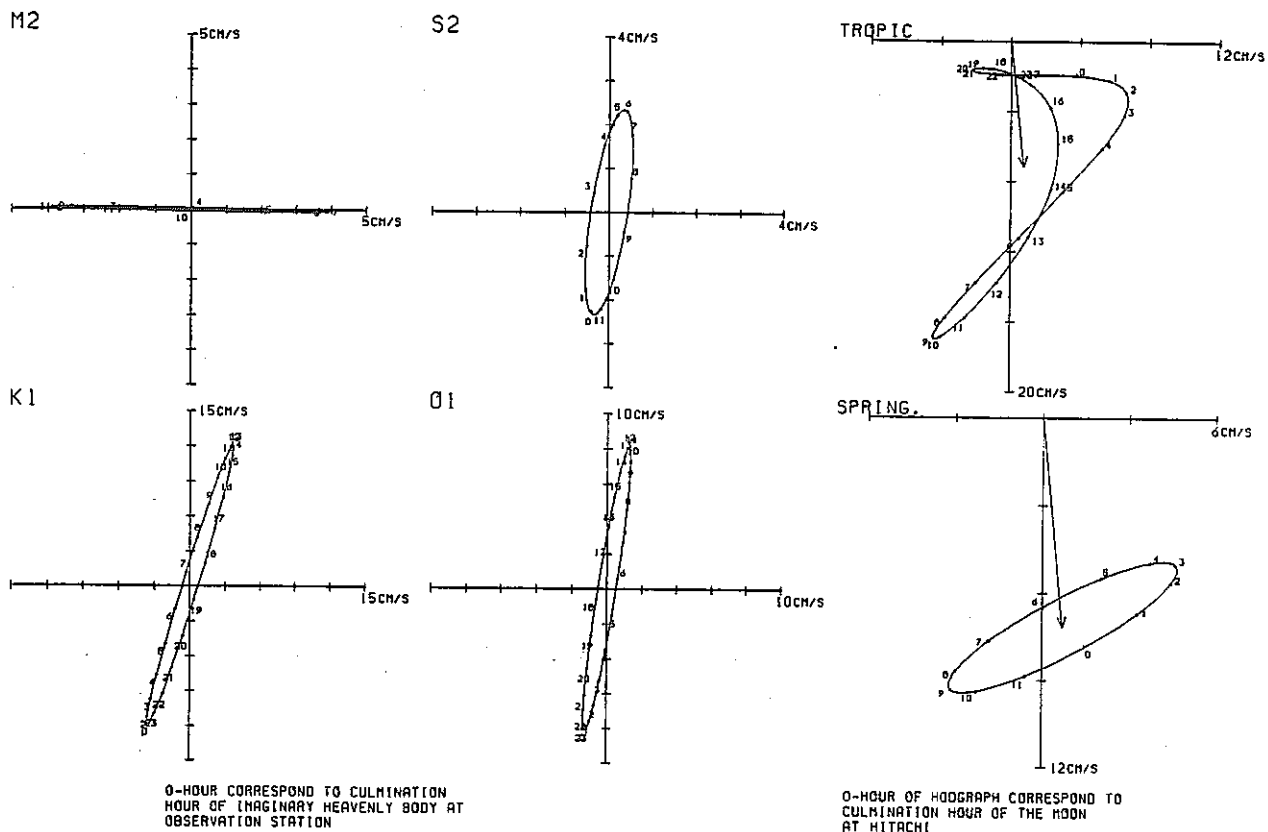
SPRING.



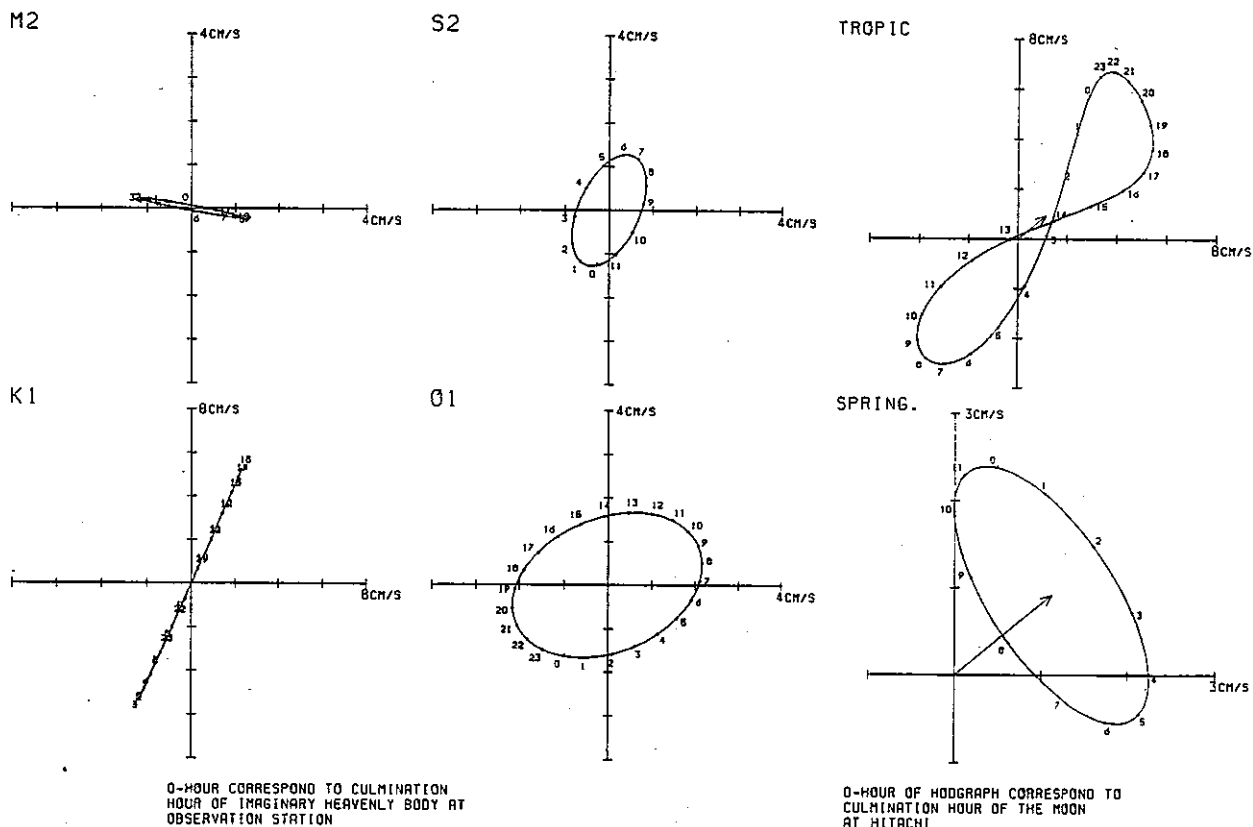
0-HOUR CORRESPOND TO CULMINATION HOUR OF IMAGINARY HEAVENLY BODY AT OBSERVATION STATION

0-HOUR OF HODOGRAPH CORRESPOND TO CULMINATION HOUR OF THE MOON AT HITACHI

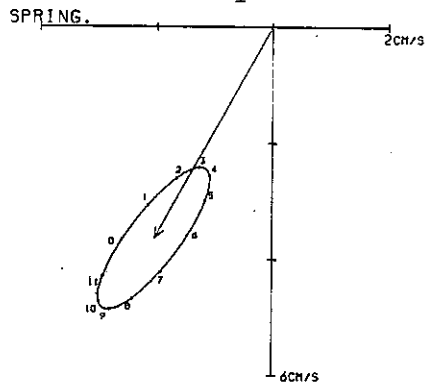
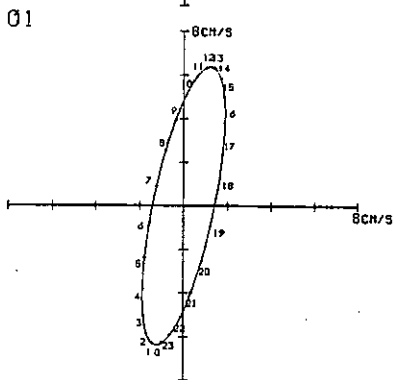
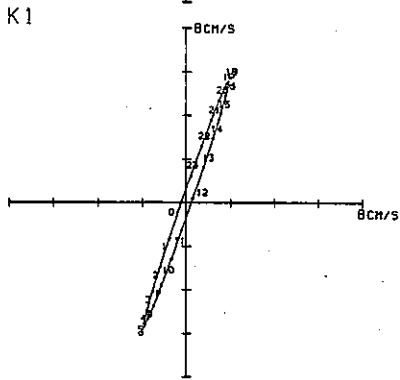
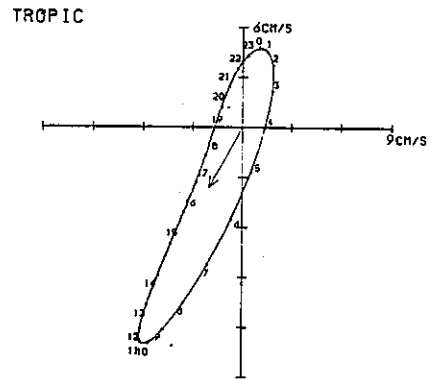
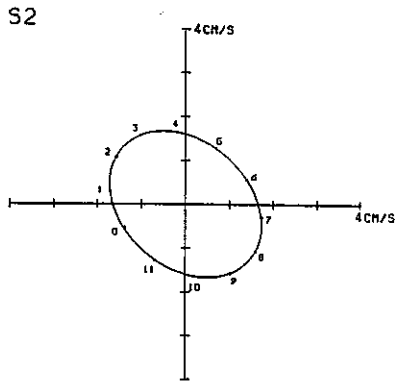
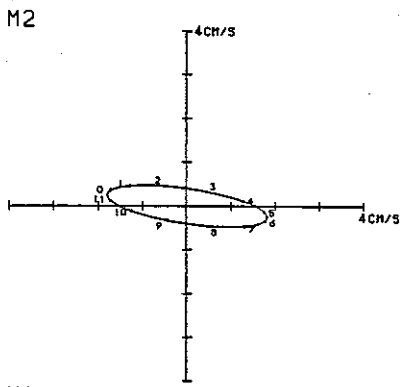
DATE : 1980/11/26



DATE : 1980/12/4



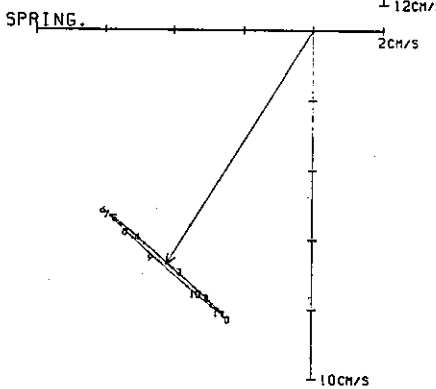
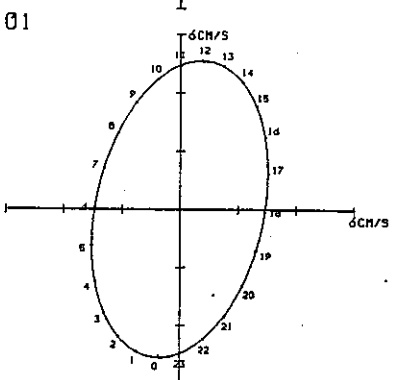
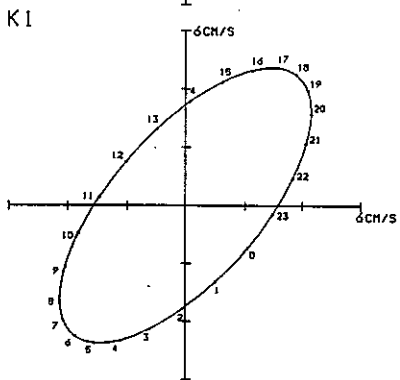
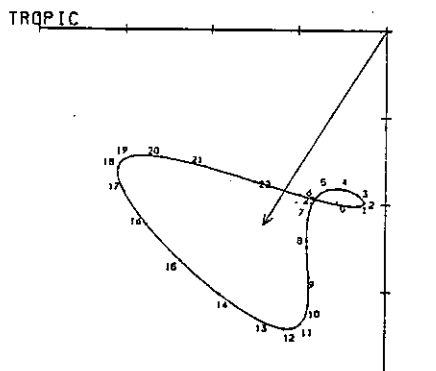
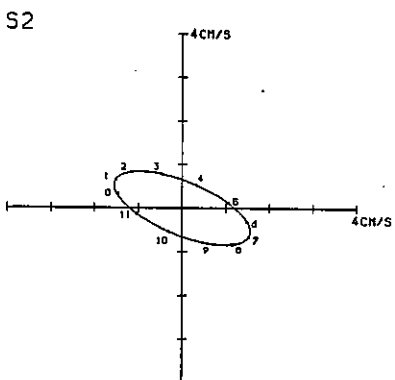
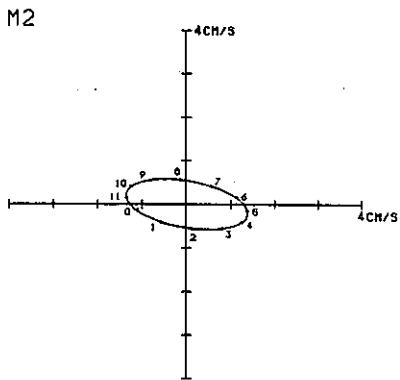
DATE : 1981/1/24



0-HOUR CORRESPOND TO CULMINATION HOUR OF IMAGINARY HEAVENLY BODY AT OBSERVATION STATION

0-HOUR OF HODOGRAPH CORRESPOND TO CULMINATION HOUR OF THE MOON AT HITACHI

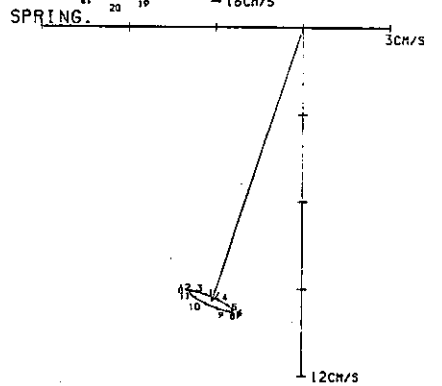
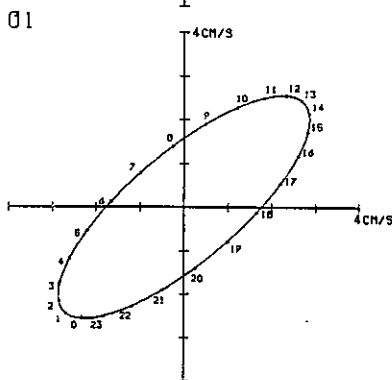
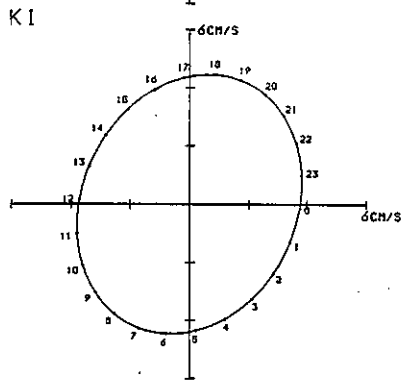
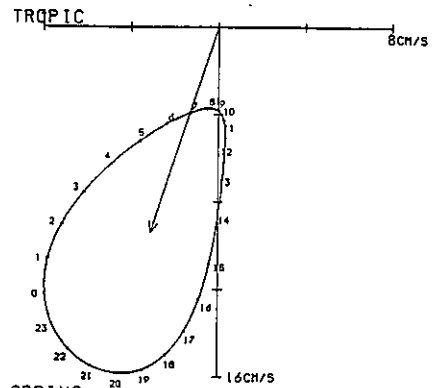
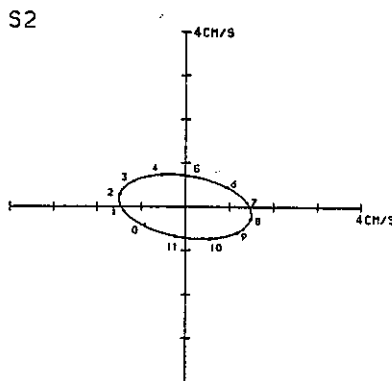
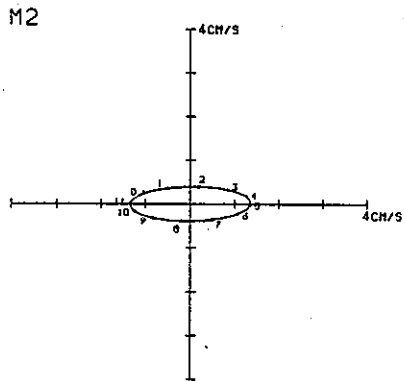
DATE : 1981 / 2 / 15



0-HOUR CORRESPOND TO CULMINATION HOUR OF IMAGINARY HEAVENLY BODY AT OBSERVATION STATION

0-HOUR OF HODOGRAPH CORRESPOND TO CULMINATION HOUR OF THE MOON AT HITACHI

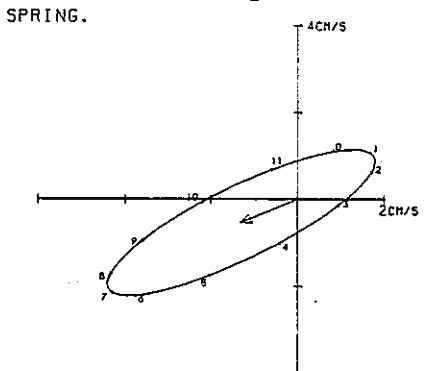
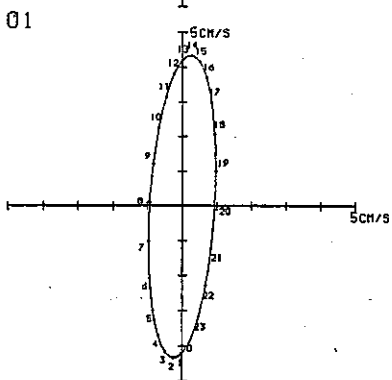
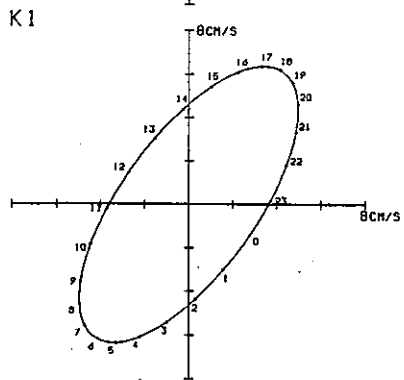
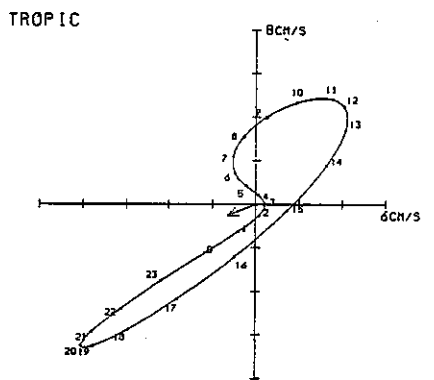
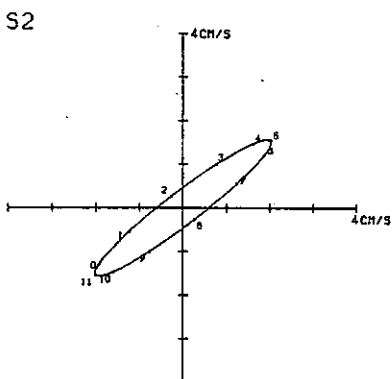
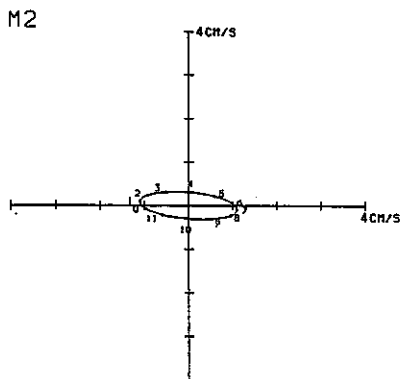
DATE : 1981 / 2 / 26



0-HOUR CORRESPOND TO CULMINATION HOUR OF IMAGINARY HEAVENLY BODY AT OBSERVATION STATION

0-HOUR OF HODGRAPH CORRESPOND TO CULMINATION HOUR OF THE MOON AT HITACHI

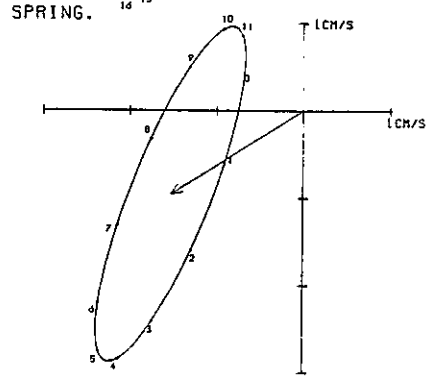
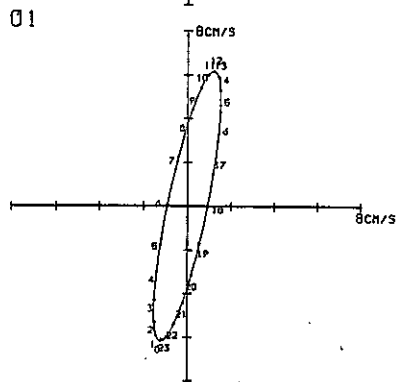
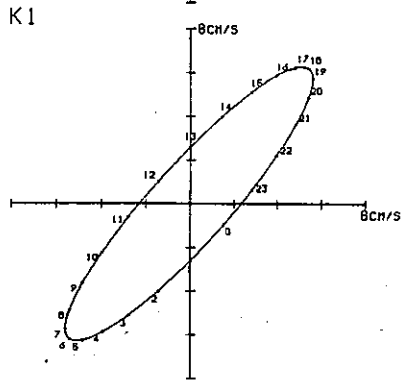
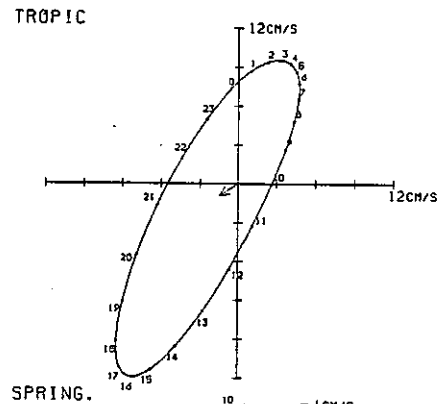
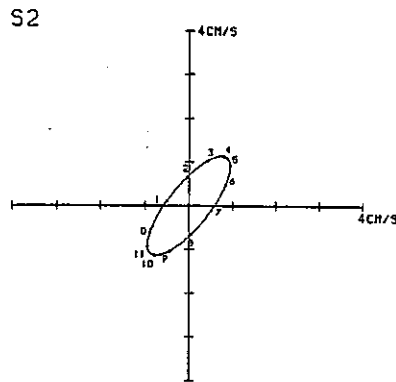
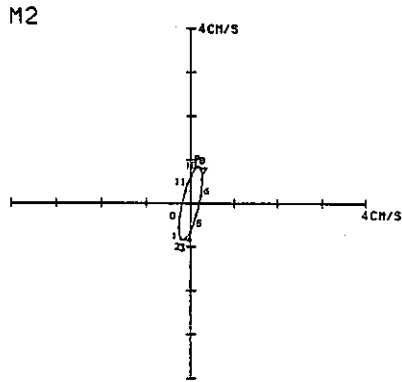
DATE : 1981 / 3 / 16



0-HOUR CORRESPOND TO CULMINATION HOUR OF IMAGINARY HEAVENLY BODY AT OBSERVATION STATION

0-HOUR OF HODGRAPH CORRESPOND TO CULMINATION HOUR OF THE MOON AT HITACHI

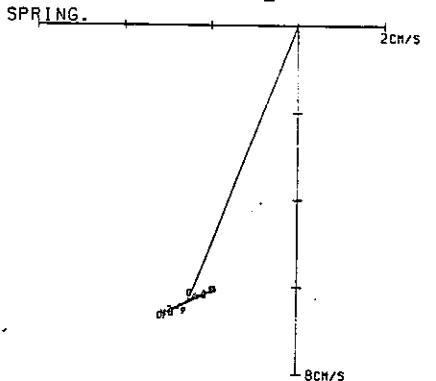
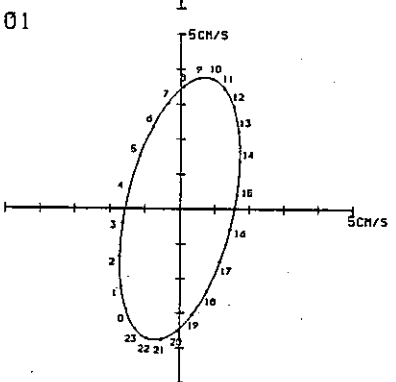
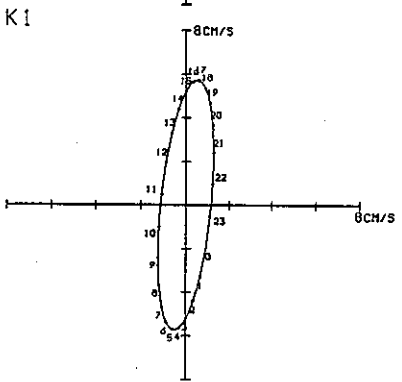
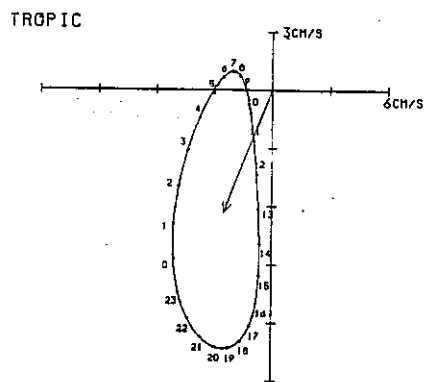
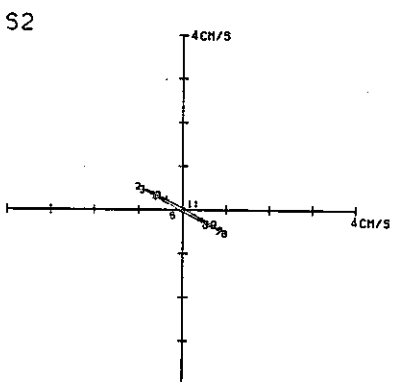
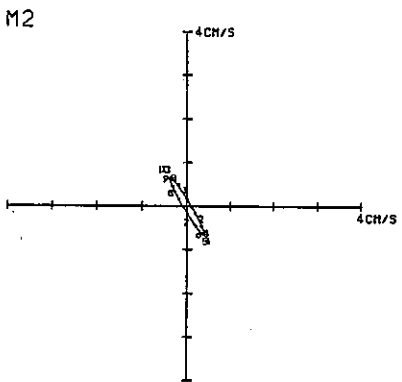
DATE : 1981 / 4 / 18



0-HOUR CORRESPOND TO CULMINATION HOUR OF IMAGINARY HEAVENLY BODY AT OBSERVATION STATION

0-HOUR OF HODGRAPH CORRESPOND TO CULMINATION HOUR OF THE MOON AT HITACHI

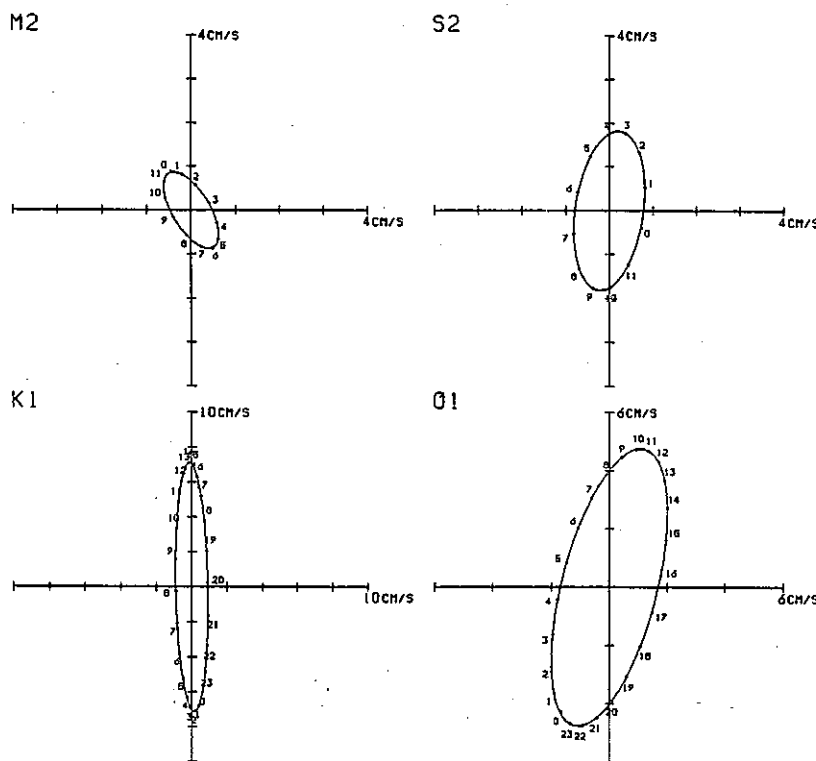
DATE : 1981 / 4 / 27



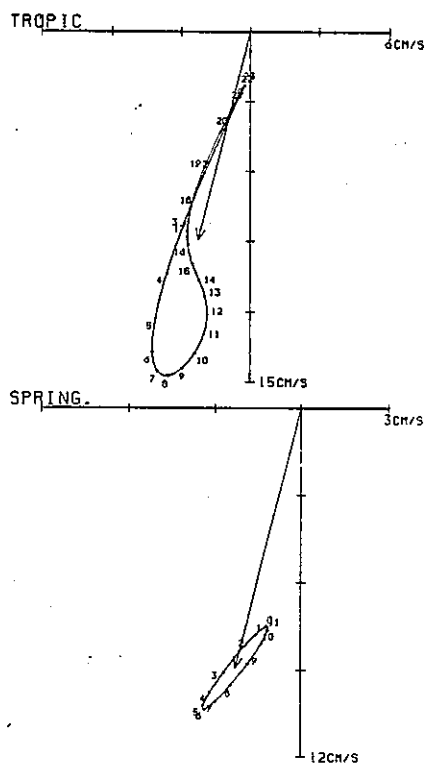
0-HOUR CORRESPOND TO CULMINATION HOUR OF IMAGINARY HEAVENLY BODY AT OBSERVATION STATION

0-HOUR OF HODGRAPH CORRESPOND TO CULMINATION HOUR OF THE MOON AT HITACHI

DATE : 1981 / 5 / 16

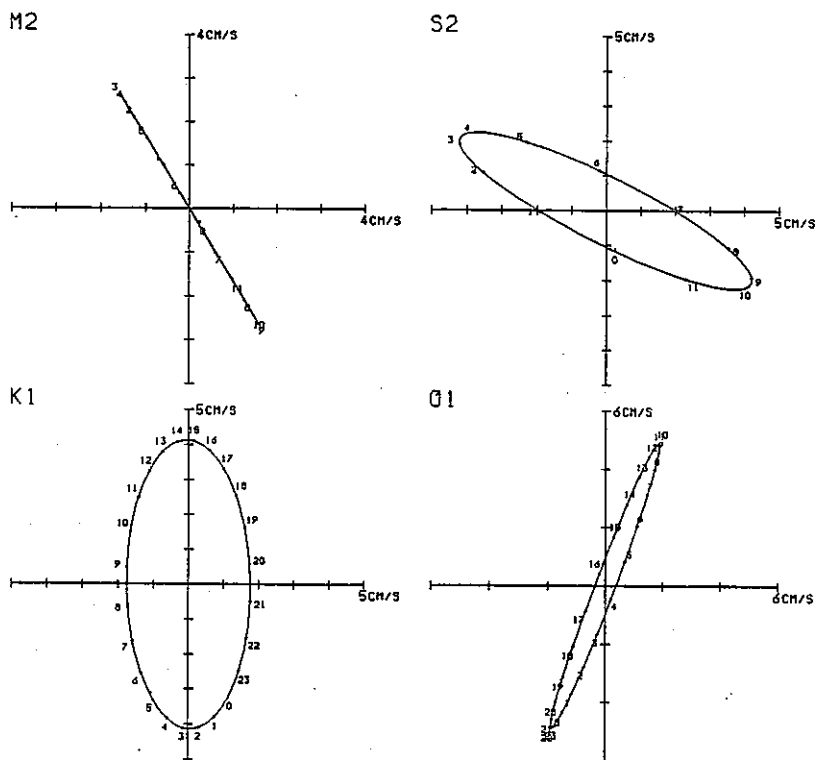


0-HOUR CORRESPOND TO CULMINATION HOUR OF IMAGINARY HEAVENLY BODY AT OBSERVATION STATION

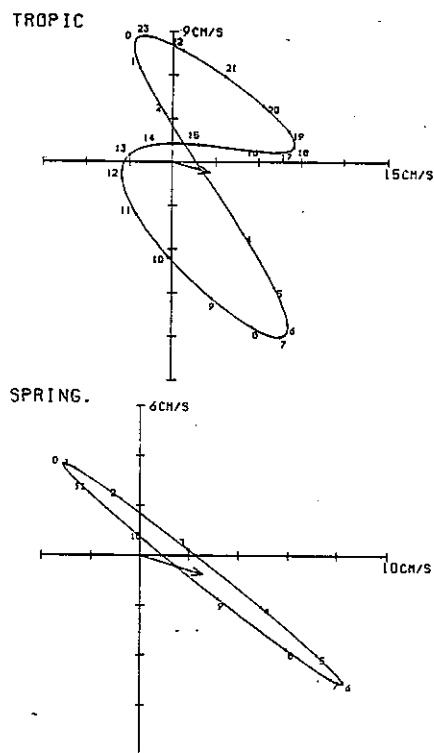


0-HOUR OF HODOGRAPH CORRESPOND TO CULMINATION HOUR OF THE MOON AT HITACHI

DATE : 1981 / 6 / 16

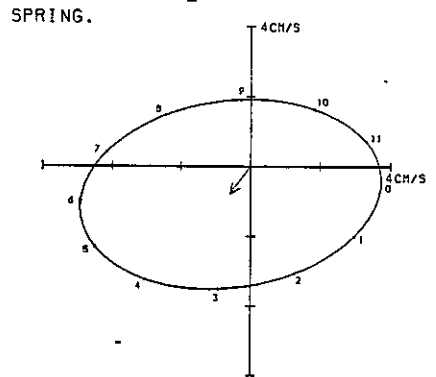
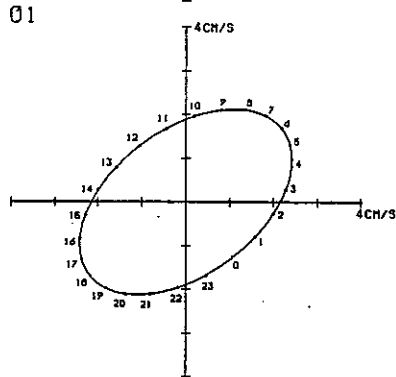
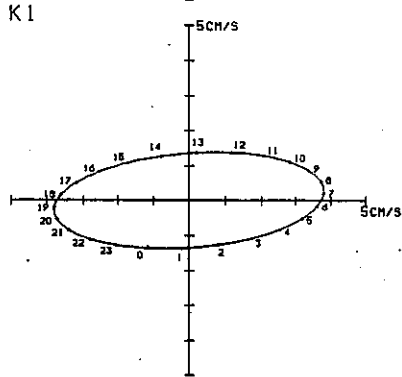
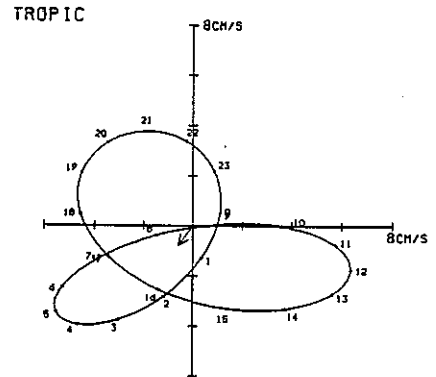
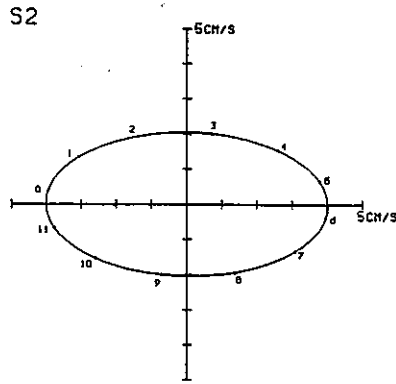
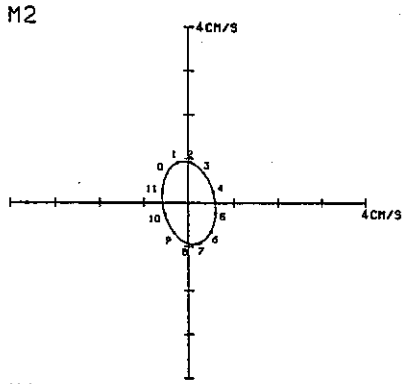


0-HOUR CORRESPOND TO CULMINATION HOUR OF IMAGINARY HEAVENLY BODY AT OBSERVATION STATION



0-HOUR OF HODOGRAPH CORRESPOND TO CULMINATION HOUR OF THE MOON AT HITACHI

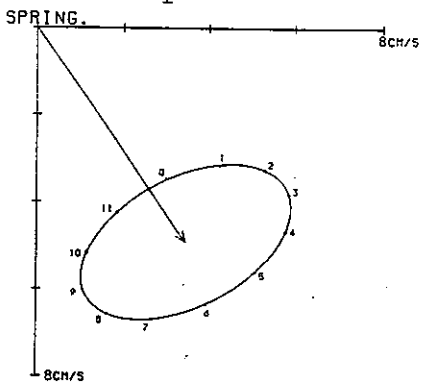
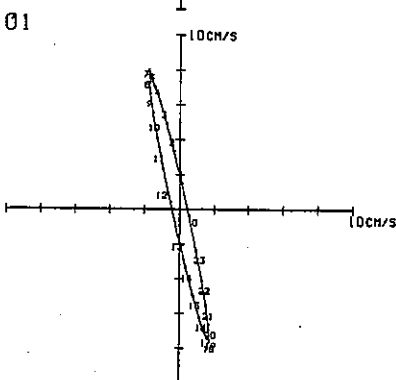
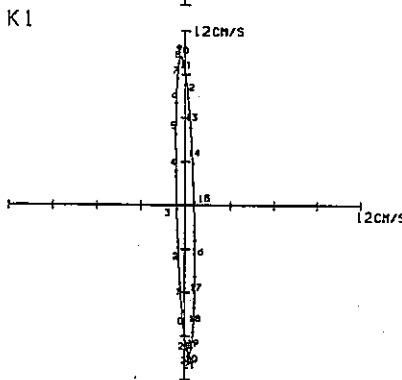
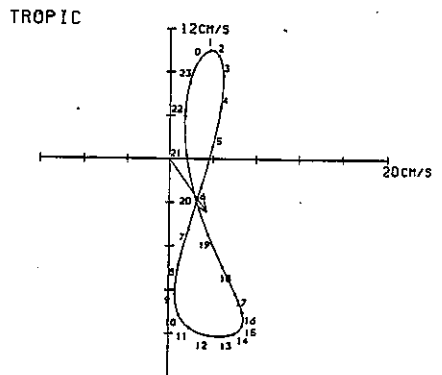
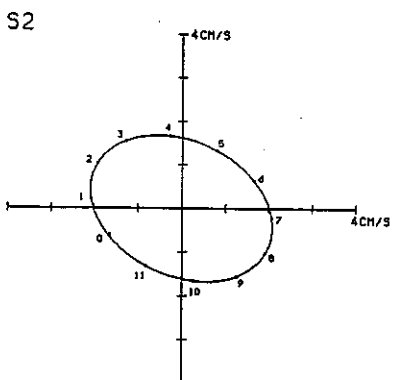
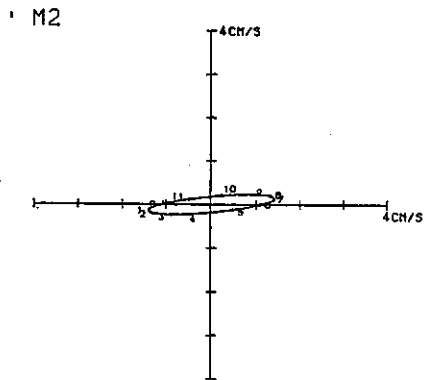
DATE : 1981 / 7 / 16



0-HOUR CORRESPOND TO CULMINATION HOUR OF IMAGINARY HEAVENLY BODY AT OBSERVATION STATION

0-HOUR OF HODGRAPH CORRESPOND TO CULMINATION HOUR OF THE MOON AT HITACHI

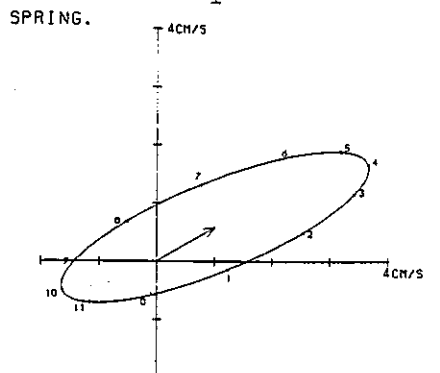
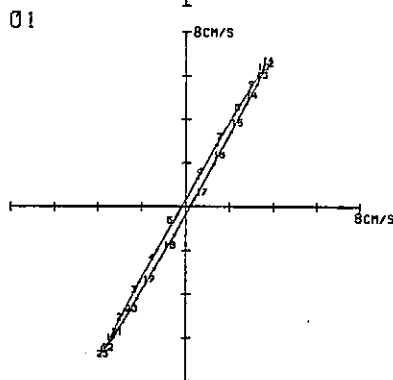
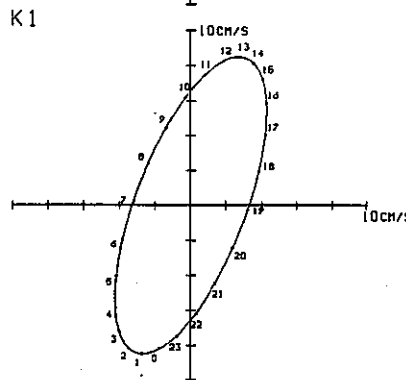
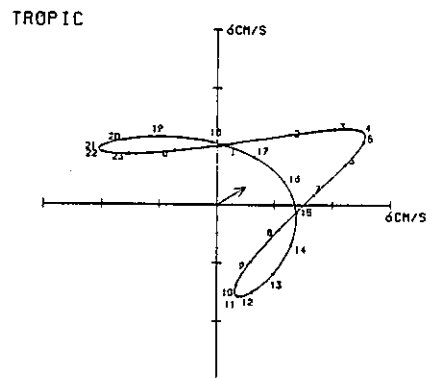
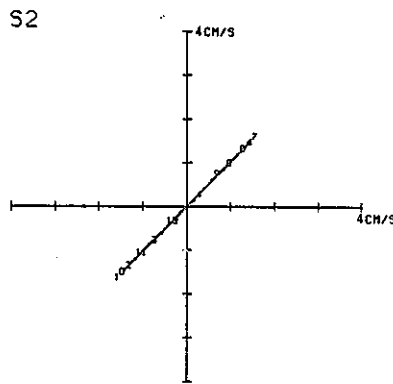
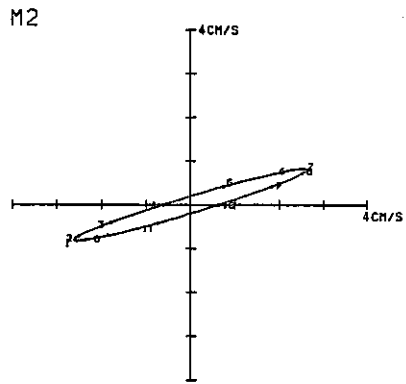
DATE : 1981/8/19



0-HOUR CORRESPOND TO CULMINATION HOUR OF IMAGINARY HEAVENLY BODY AT OBSERVATION STATION

0-HOUR OF HODGRAPH CORRESPOND TO CULMINATION HOUR OF THE MOON AT HITACHI

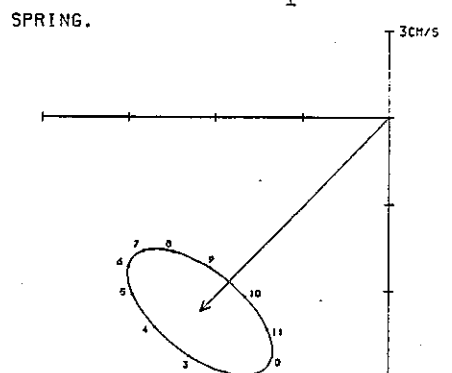
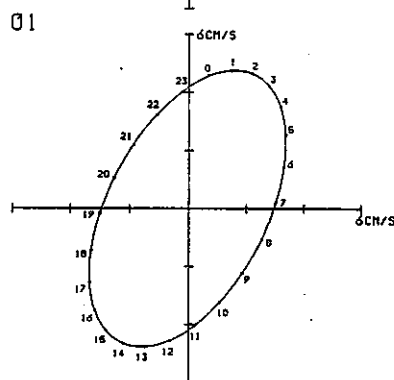
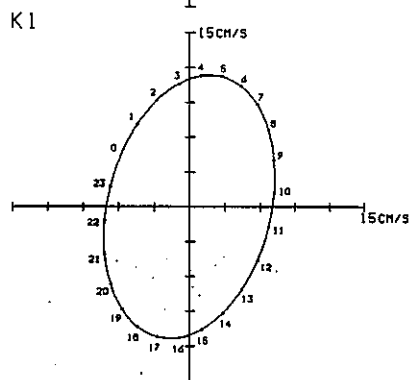
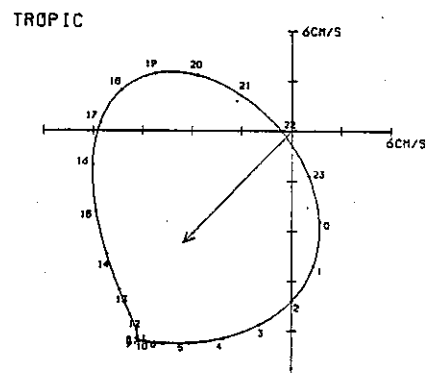
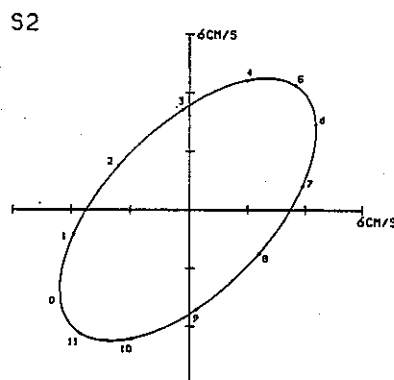
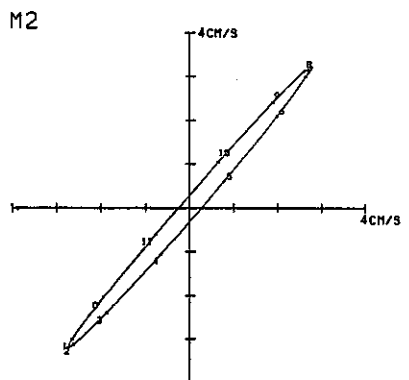
DATE : 1981/10/24



0-HOUR CORRESPOND TO CULMINATION HOUR OF IMAGINARY HEAVENLY BODY AT OBSERVATION STATION

0-HOUR OF HODGRAPH CORRESPOND TO CULMINATION HOUR OF THE MOON AT HITACHI

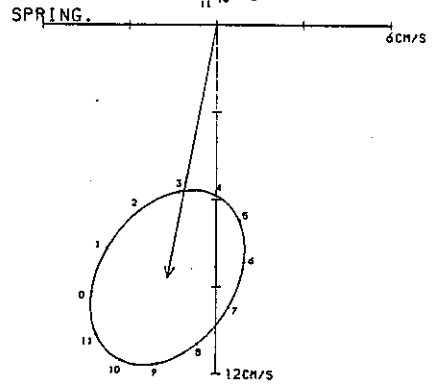
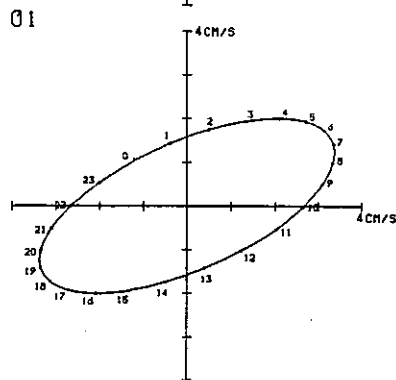
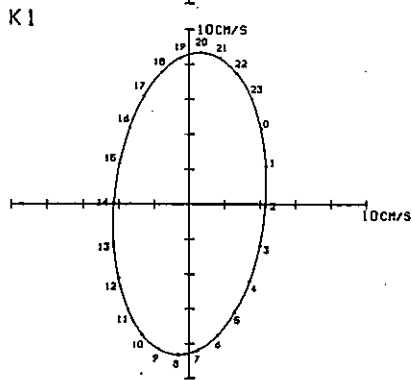
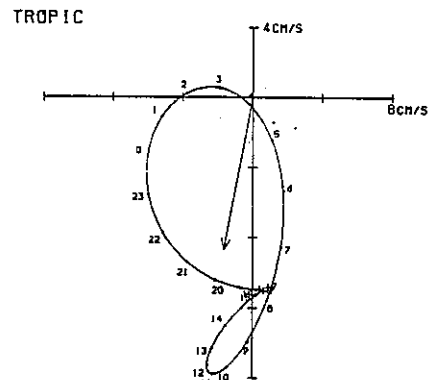
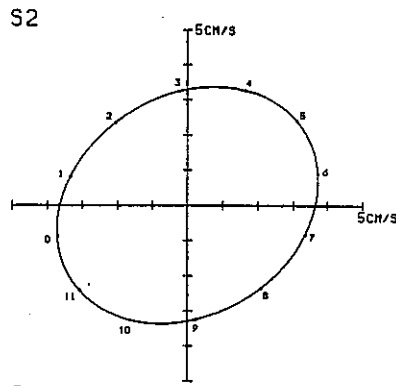
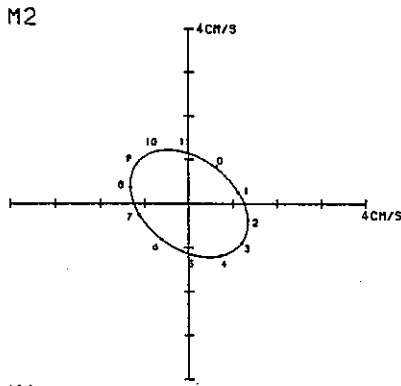
DATE : 1981/12/21



0-HOUR CORRESPOND TO CULMINATION HOUR OF IMAGINARY HEAVENLY BODY AT OBSERVATION STATION

0-HOUR OF HODGRAPH CORRESPOND TO CULMINATION HOUR OF THE MOON AT HITACHI

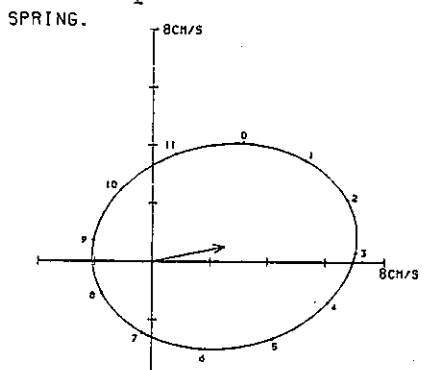
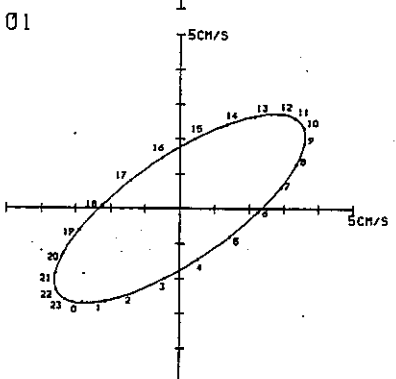
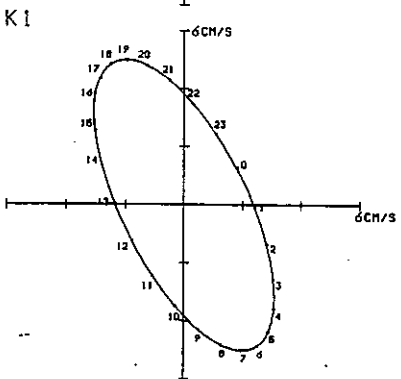
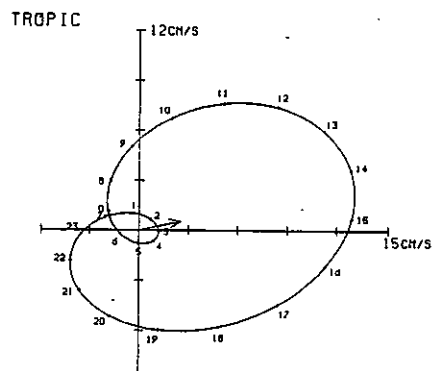
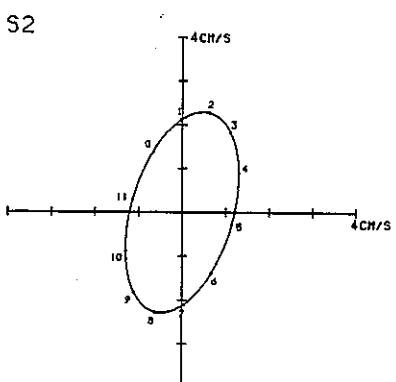
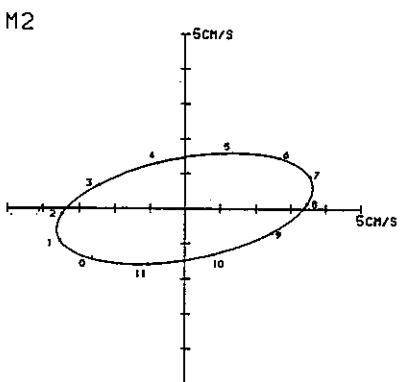
DATE : 1982/2/13



0-HOUR CORRESPOND TO CULMINATION HOUR OF IMAGINARY HEAVENLY BODY AT OBSERVATION STATION

0-HOUR OF HODGRAPH CORRESPOND TO CULMINATION HOUR OF THE MOON AT HITACHI

DATE : 1982 / 3 / 21

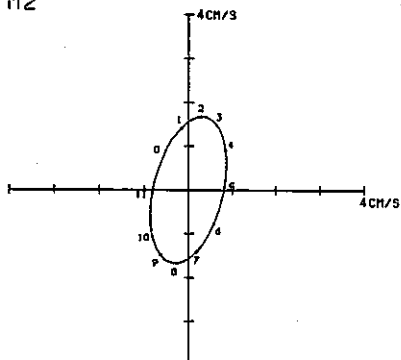


0-HOUR CORRESPOND TO CULMINATION HOUR OF IMAGINARY HEAVENLY BODY AT OBSERVATION STATION

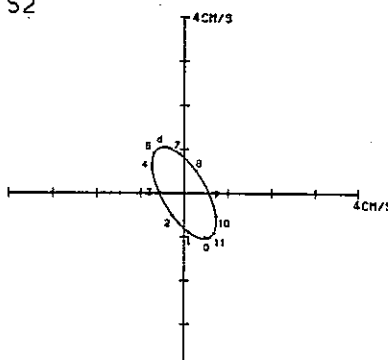
0-HOUR OF HODGRAPH CORRESPOND TO CULMINATION HOUR OF THE MOON AT HITACHI

DATE : 1982 / 5 / 21

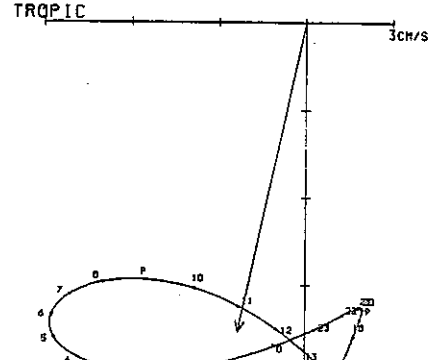
M2



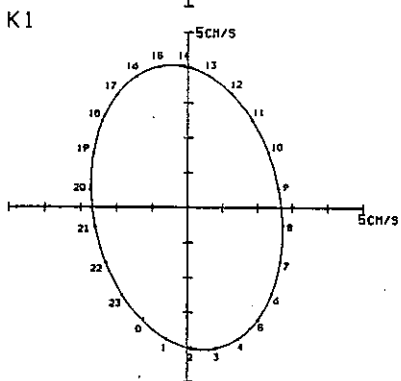
S2



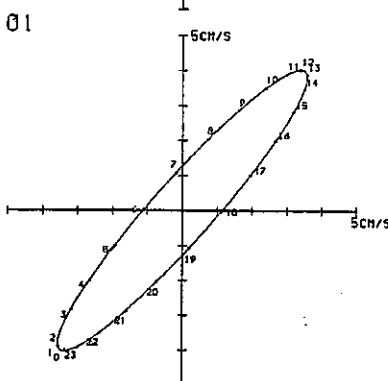
TROPIC



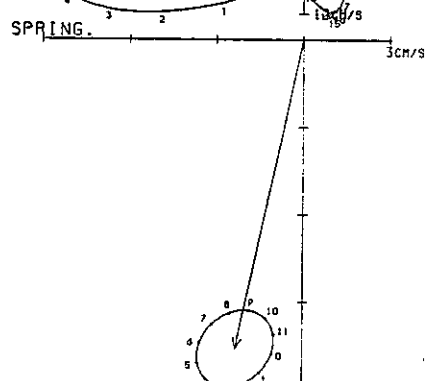
K1



01



SPRING

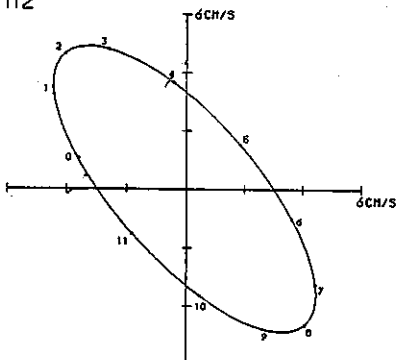


0-HOUR CORRESPOND TO CULMINATION HOUR OF IMAGINARY HEAVENLY BODY AT OBSERVATION STATION

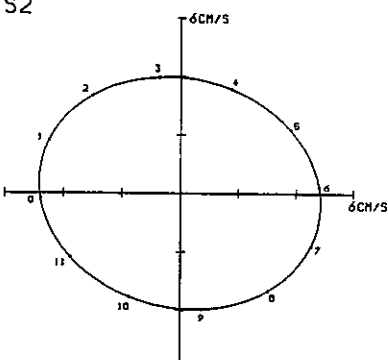
0-HOUR OF HODOGRAPH CORRESPOND TO CULMINATION HOUR OF THE MOON AT HITACHI

DATE : 1982 / 6 / 16

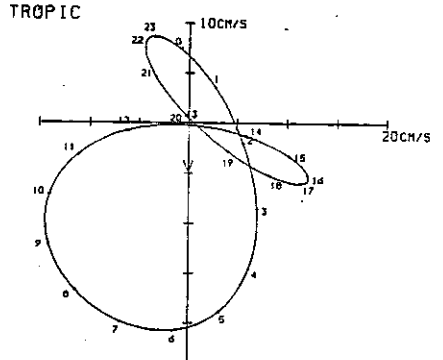
M2



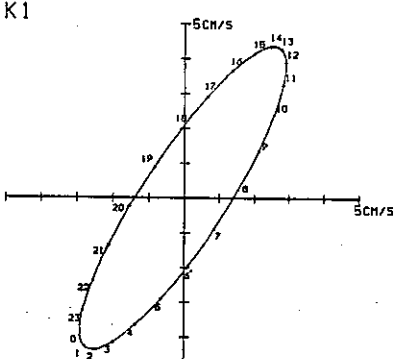
S2



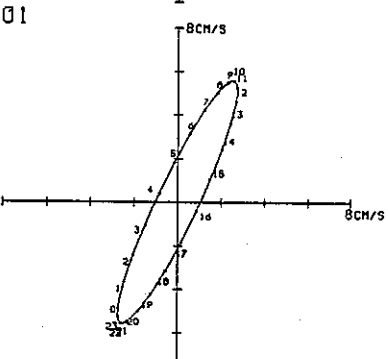
TROPIC



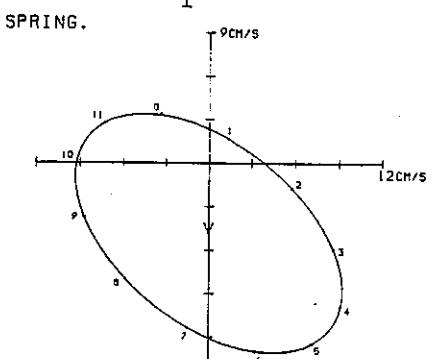
K1



01



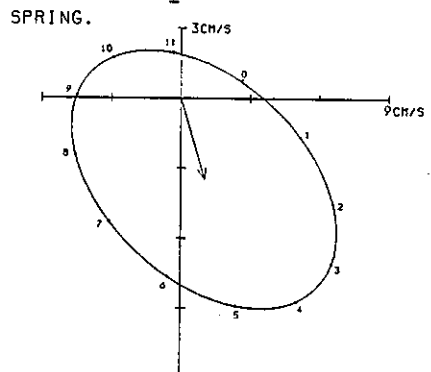
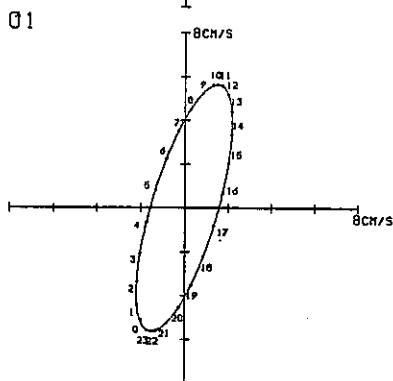
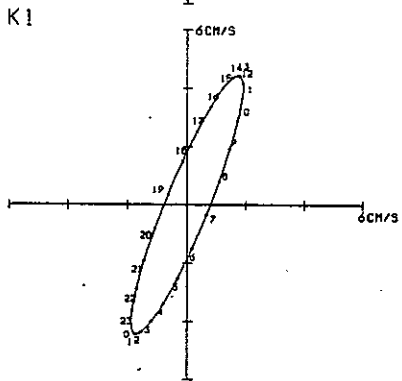
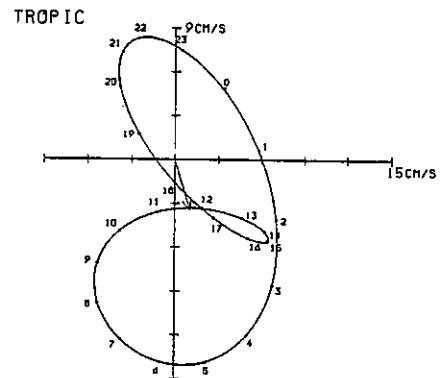
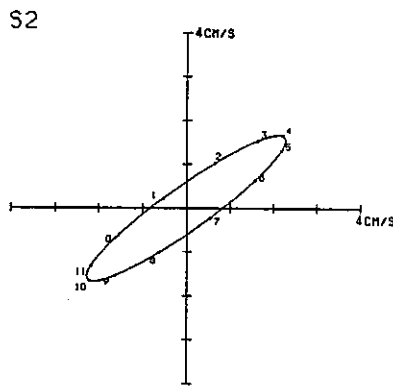
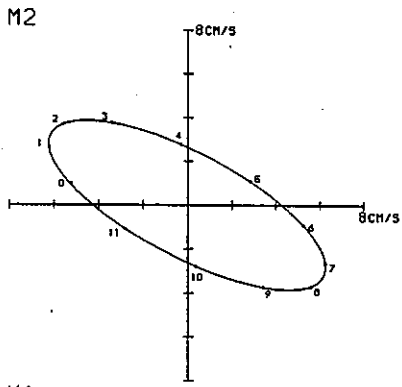
SPRING



0-HOUR CORRESPOND TO CULMINATION HOUR OF IMAGINARY HEAVENLY BODY AT OBSERVATION STATION

0-HOUR OF HODOGRAPH CORRESPOND TO CULMINATION HOUR OF THE MOON AT HITACHI

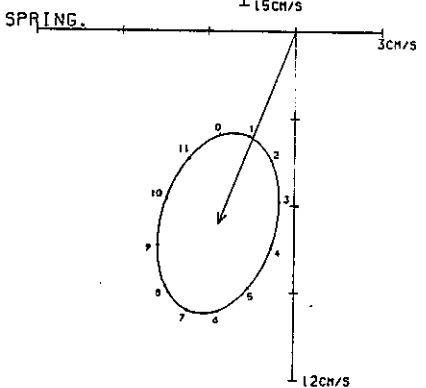
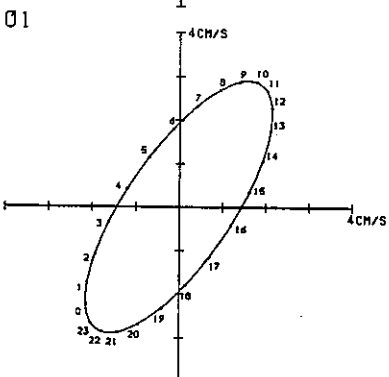
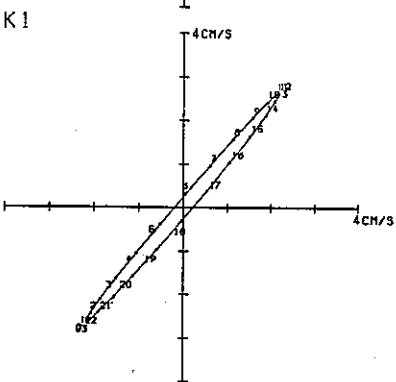
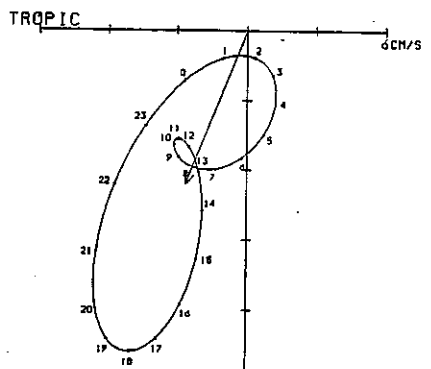
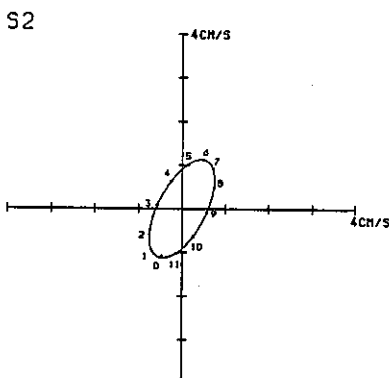
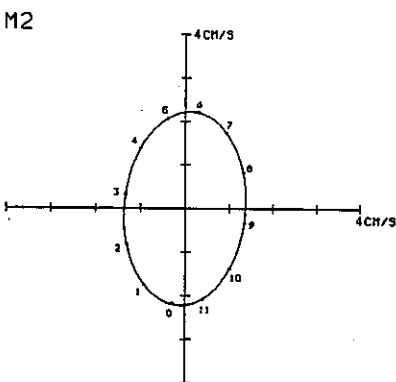
DATE : 1982 / 7 / 20



0-HOUR CORRESPOND TO CULMINATION HOUR OF IMAGINARY HEAVENLY BODY AT OBSERVATION STATION

0-HOUR OF HODOGRAPH CORRESPOND TO CULMINATION HOUR OF THE MOON AT HITACHI

DATE : 1982/8/21

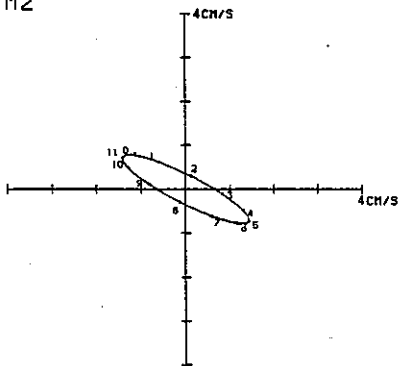


0-HOUR CORRESPOND TO CULMINATION HOUR OF IMAGINARY HEAVENLY BODY AT OBSERVATION STATION

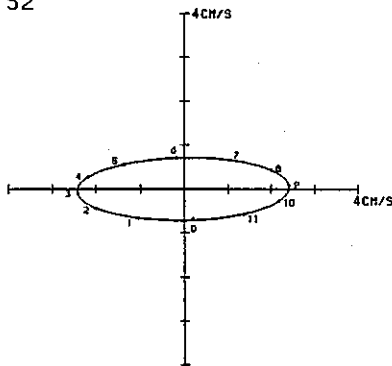
0-HOUR OF HODOGRAPH CORRESPOND TO CULMINATION HOUR OF THE MOON AT HITACHI

DATE : 1982/9/16

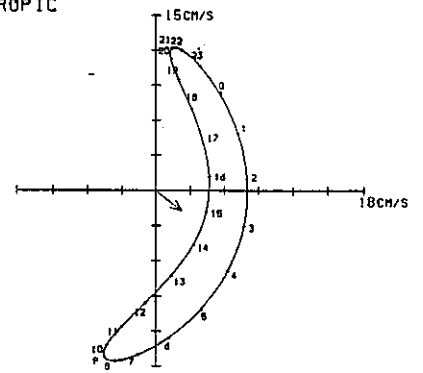
M2



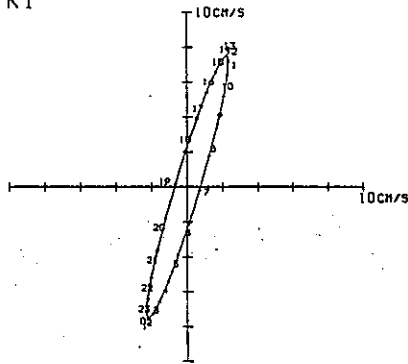
S2



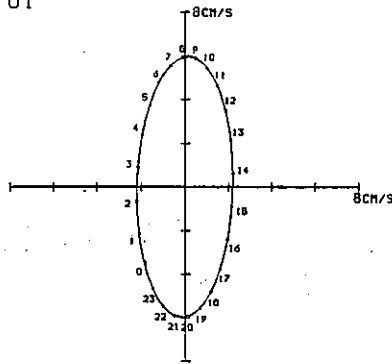
TROPIC



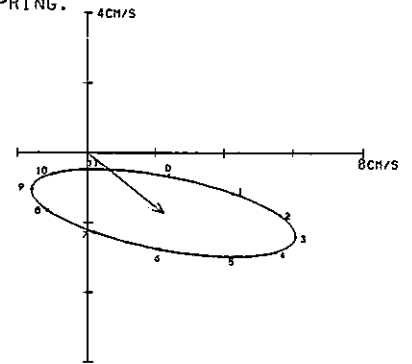
K1



O1



SPRING.

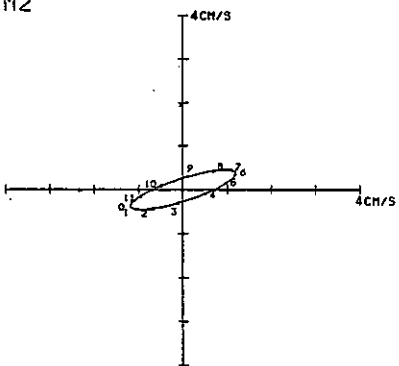


0-HOUR CORRESPOND TO CULMINATION HOUR OF IMAGINARY HEAVENLY BODY AT OBSERVATION STATION

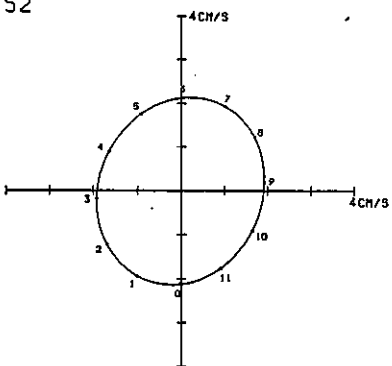
0-HOUR OF HODGRAPH CORRESPOND TO CULMINATION HOUR OF THE MOON AT HITACHI

DATE : 1982/11/21

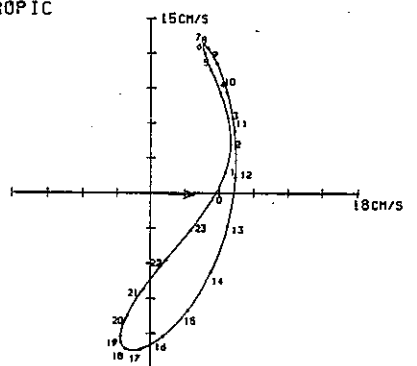
M2



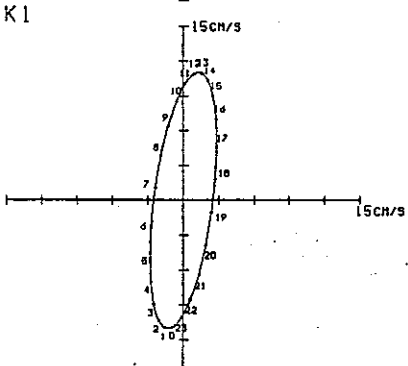
S2



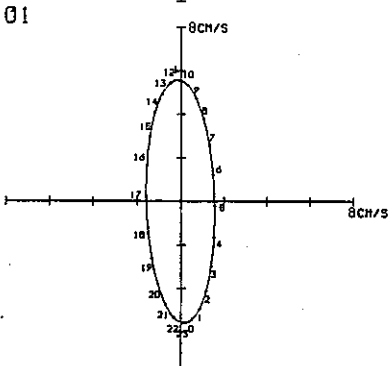
TROPIC



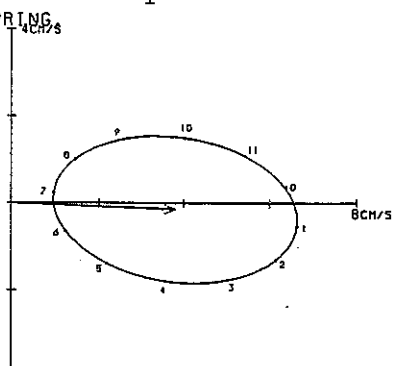
K1



O1



SPRING.

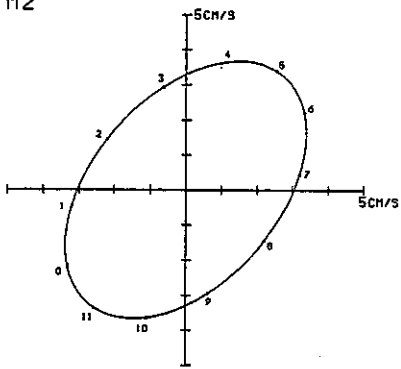


0-HOUR CORRESPOND TO CULMINATION HOUR OF IMAGINARY HEAVENLY BODY AT OBSERVATION STATION

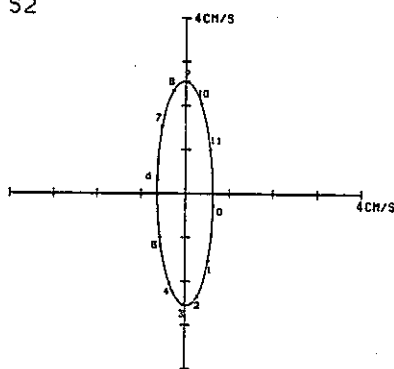
0-HOUR OF HODGRAPH CORRESPOND TO CULMINATION HOUR OF THE MOON AT HITACHI

DATE : 1982/12/21

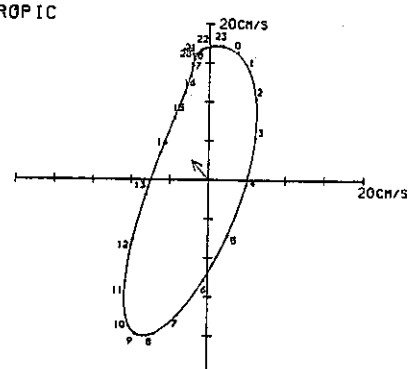
M2



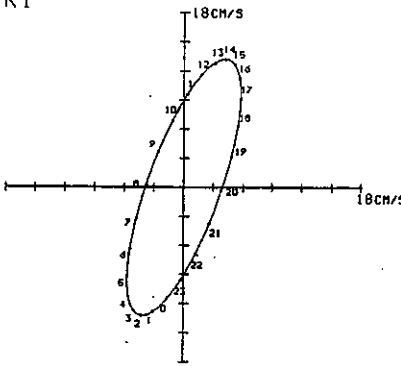
S2



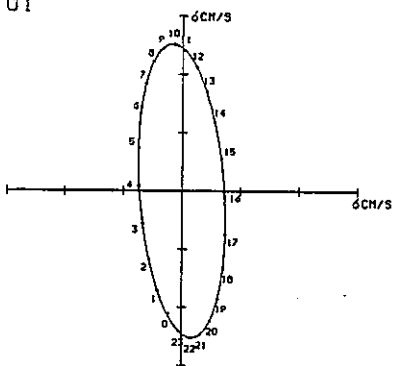
TROPIC



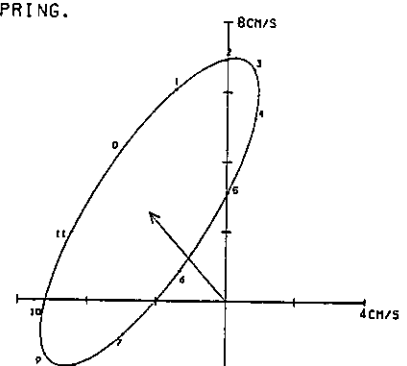
K1



O1



SPRING.

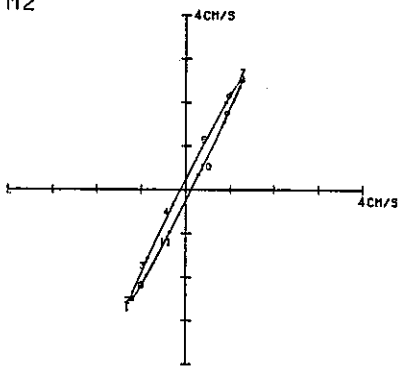


0-HOUR CORRESPOND TO CULMINATION HOUR OF IMAGINARY HEAVENLY BODY AT OBSERVATION STATION

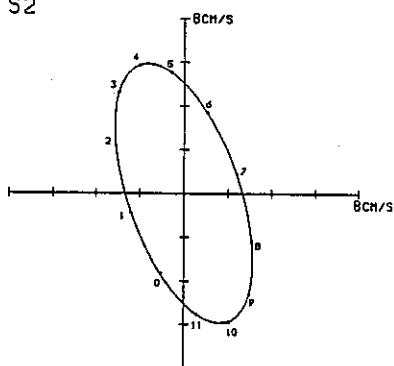
0-HOUR OF HODGRAPH CORRESPOND TO CULMINATION HOUR OF THE MOON AT HITACHI

DATE : 1984 / 1 / 5

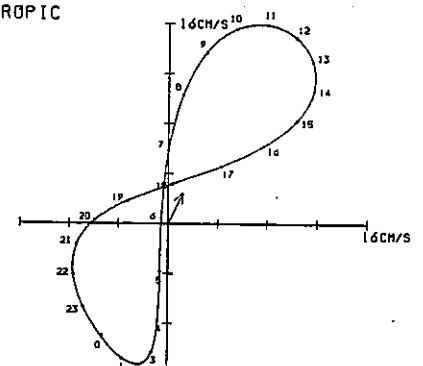
M2



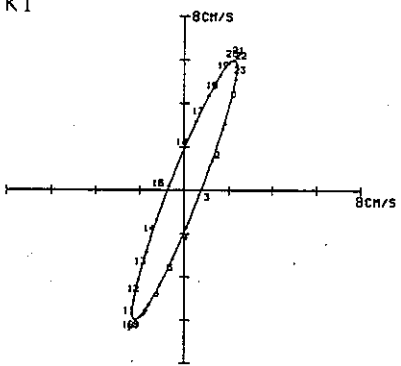
S2



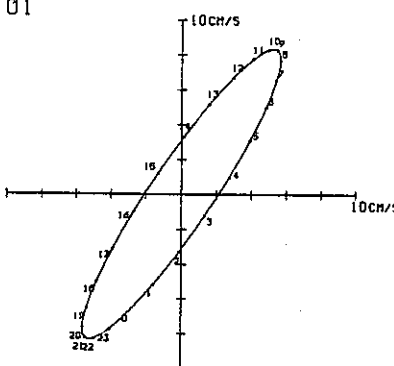
TROPIC



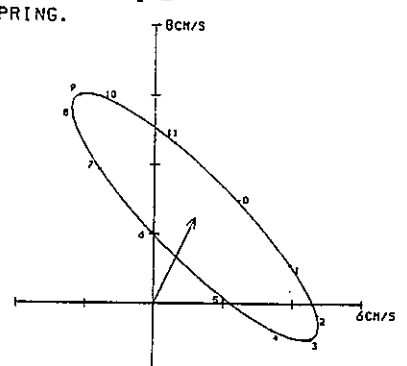
K1



O1



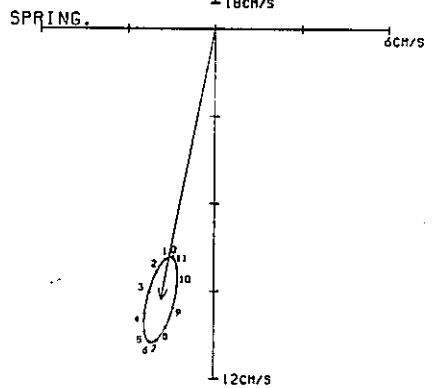
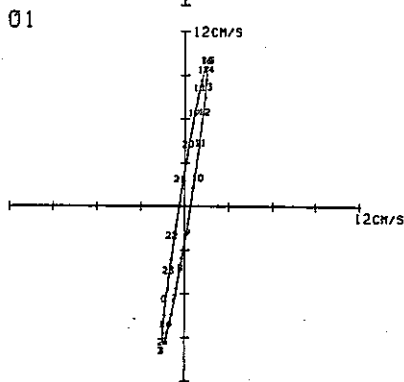
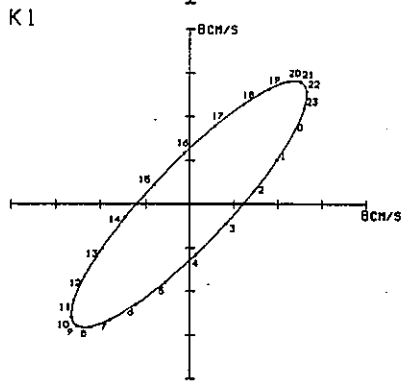
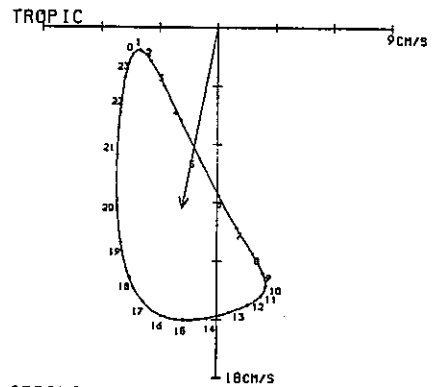
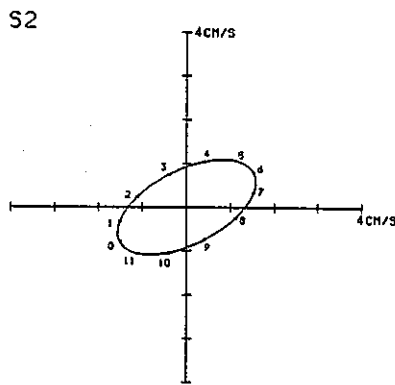
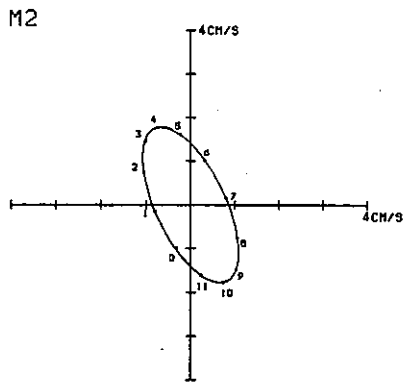
SPRING.



0-HOUR CORRESPOND TO CULMINATION HOUR OF IMAGINARY HEAVENLY BODY AT OBSERVATION STATION

0-HOUR OF HODGRAPH CORRESPOND TO CULMINATION HOUR OF THE MOON AT HITACHI

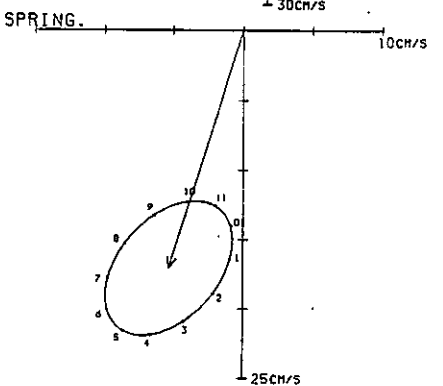
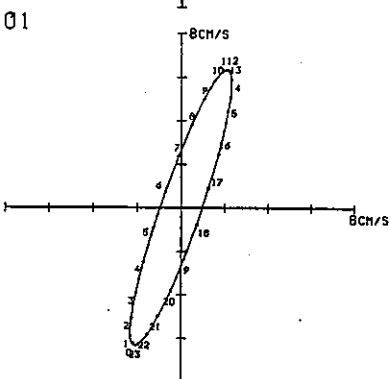
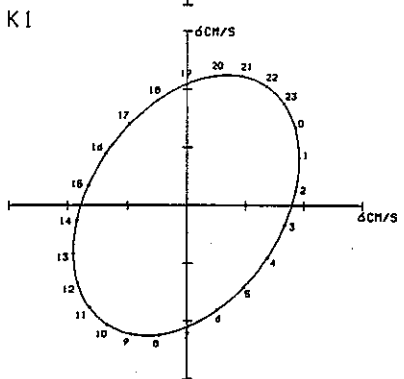
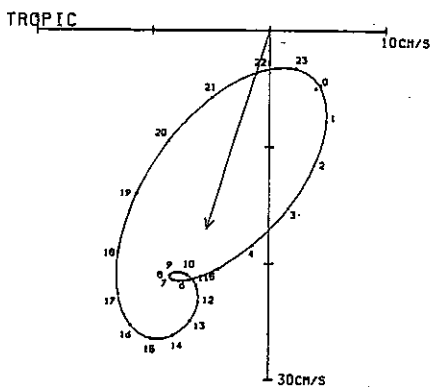
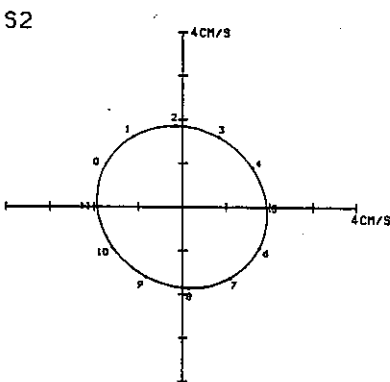
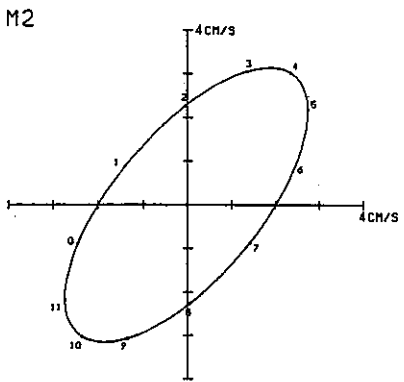
DATE : 1984 / 3 / 7



0-HOUR CORRESPOND TO CULMINATION HOUR OF IMAGINARY HEAVENLY BODY AT OBSERVATION STATION

0-HOUR OF HODOGRAPH CORRESPOND TO CULMINATION HOUR OF THE MOON AT HITACHI

DATE : 1984 / 3 / 23

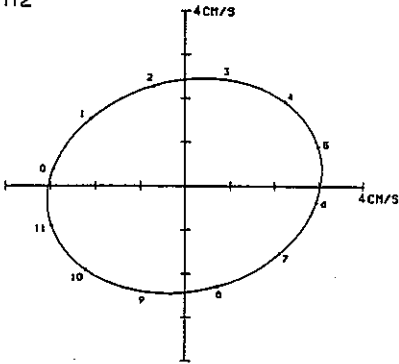


0-HOUR CORRESPOND TO CULMINATION HOUR OF IMAGINARY HEAVENLY BODY AT OBSERVATION STATION

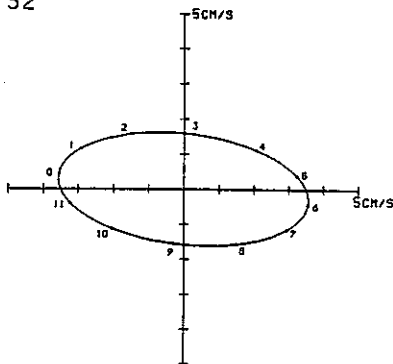
0-HOUR OF HODOGRAPH CORRESPOND TO CULMINATION HOUR OF THE MOON AT HITACHI

DATE : 1984 / 4 / 15

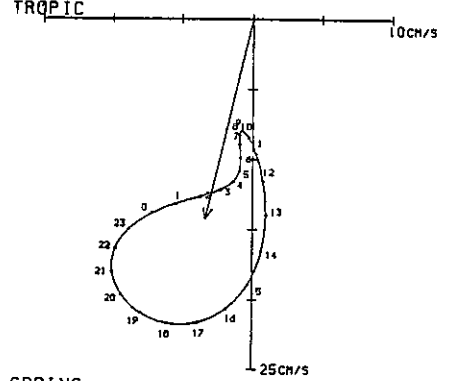
M2



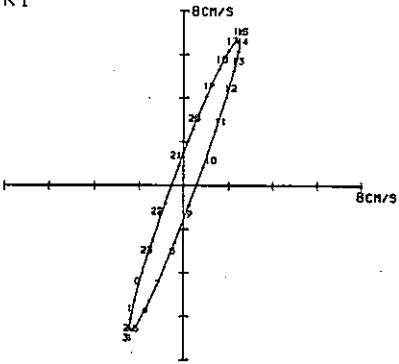
S2



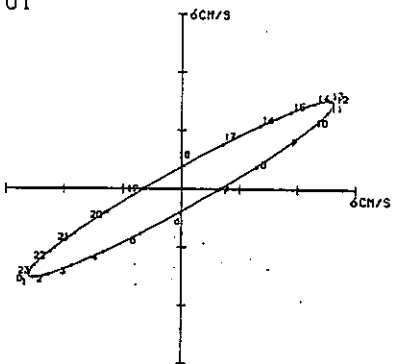
TROPIC



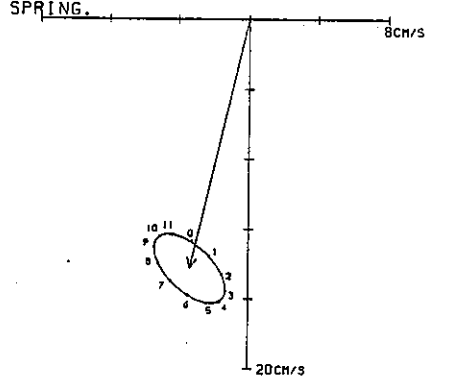
K1



01



SPRING.

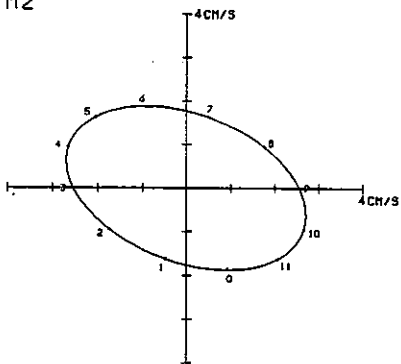


0-HOUR CORRESPOND TO CULMINATION HOUR OF IMAGINARY HEAVENLY BODY AT OBSERVATION STATION

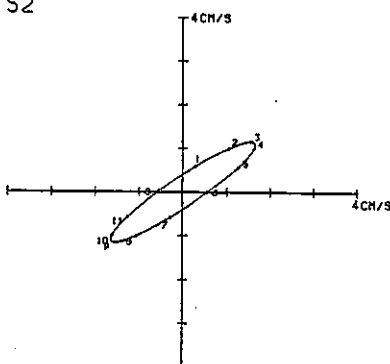
0-HOUR OF HODGRAPH CORRESPOND TO CULMINATION HOUR OF THE MOON AT HITACHI

DATE : 1984 / 5 / 25

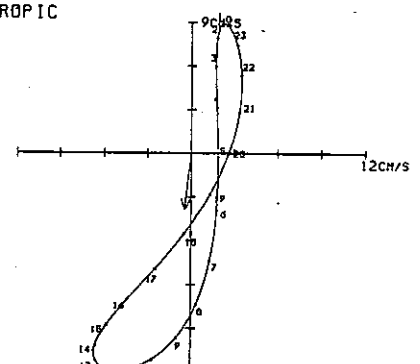
M2



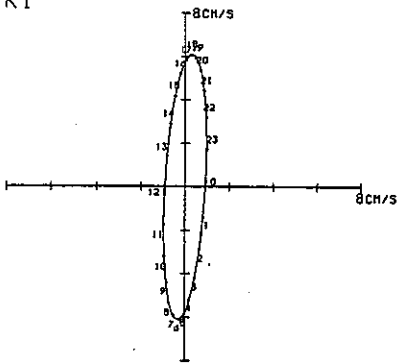
S2



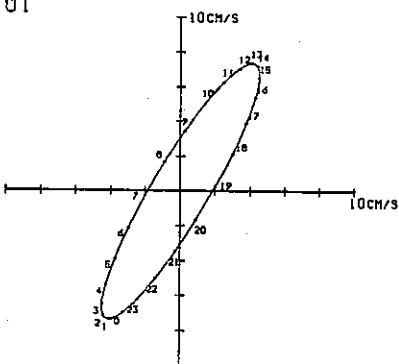
TROPIC



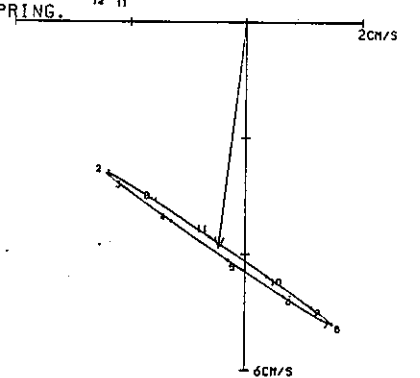
K1



01



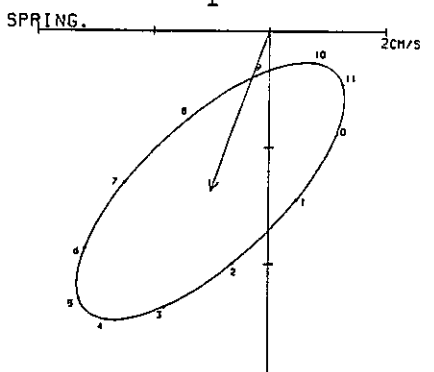
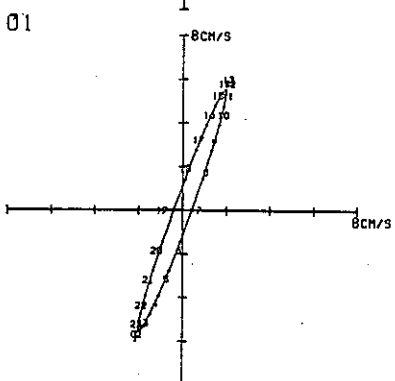
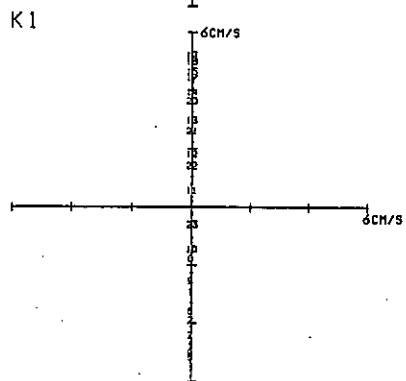
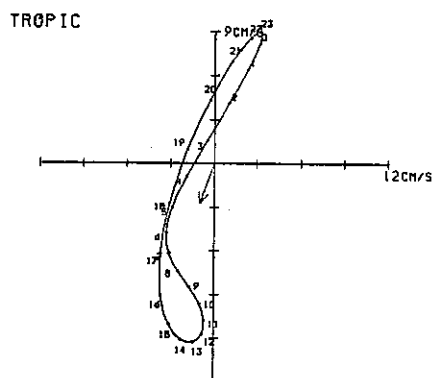
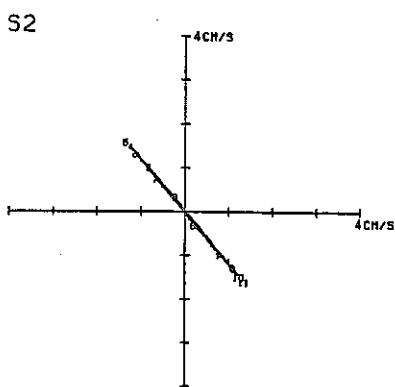
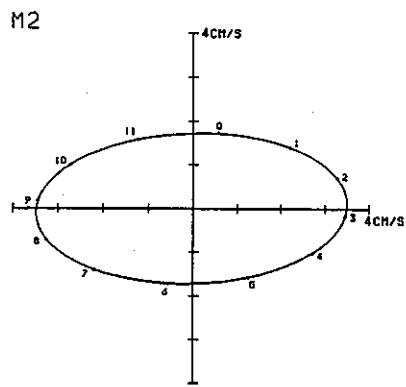
SPRING.



0-HOUR CORRESPOND TO CULMINATION HOUR OF IMAGINARY HEAVENLY BODY AT OBSERVATION STATION

0-HOUR OF HODGRAPH CORRESPOND TO CULMINATION HOUR OF THE MOON AT HITACHI

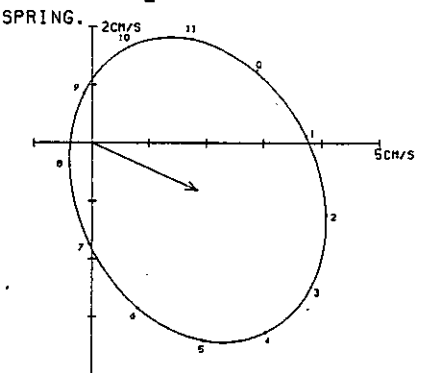
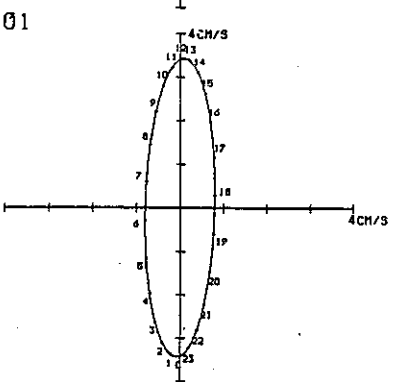
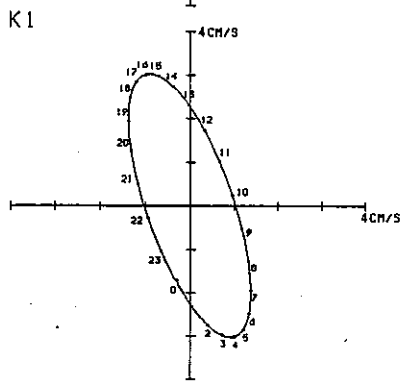
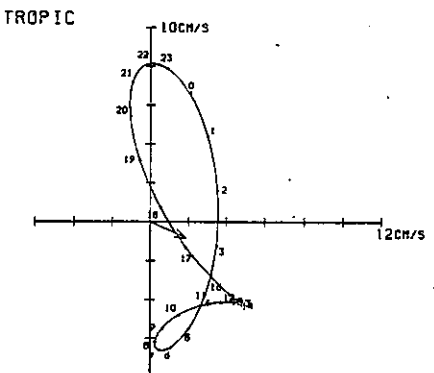
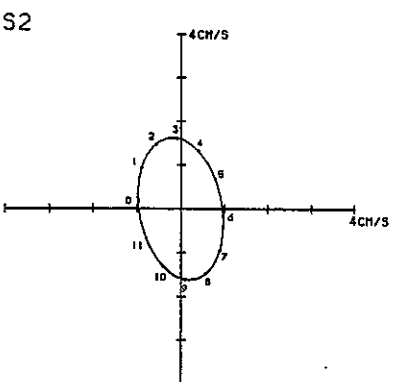
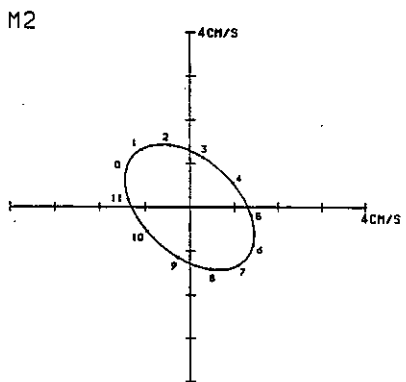
DATE : 1984 / 6 / 16



0-HOUR CORRESPOND TO CULMINATION HOUR OF IMAGINARY HEAVENLY BODY AT OBSERVATION STATION

0-HOUR OF HODGRAPH CORRESPOND TO CULMINATION HOUR OF THE MOON AT HITACHI

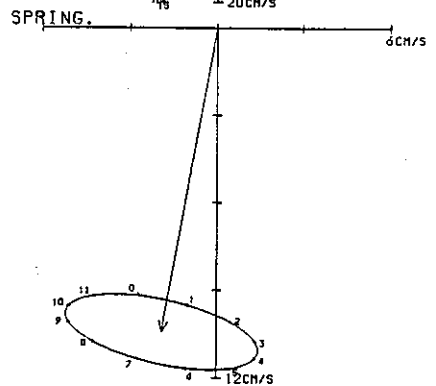
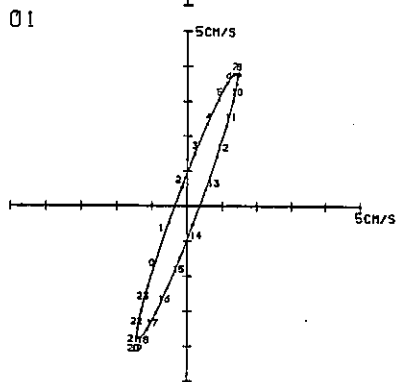
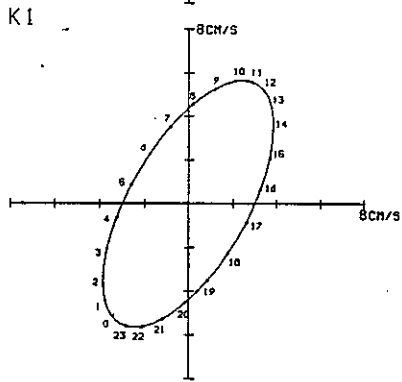
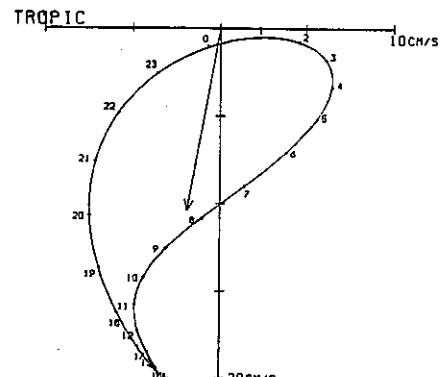
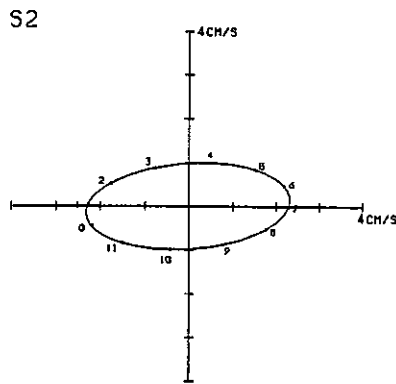
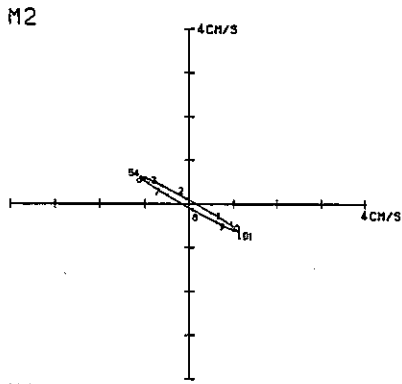
DATE : 1984 / 7 / 16



0-HOUR CORRESPOND TO CULMINATION HOUR OF IMAGINARY HEAVENLY BODY AT OBSERVATION STATION

0-HOUR OF HODGRAPH CORRESPOND TO CULMINATION HOUR OF THE MOON AT HITACHI

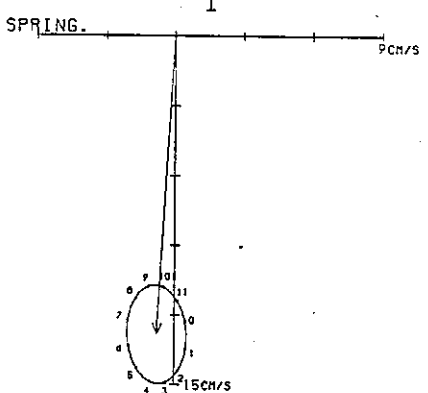
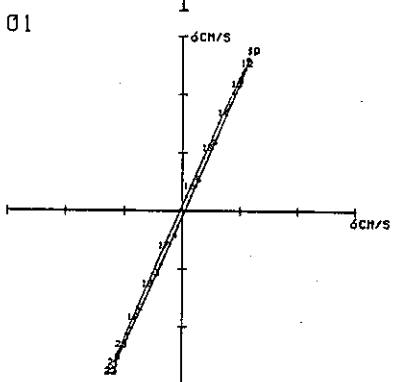
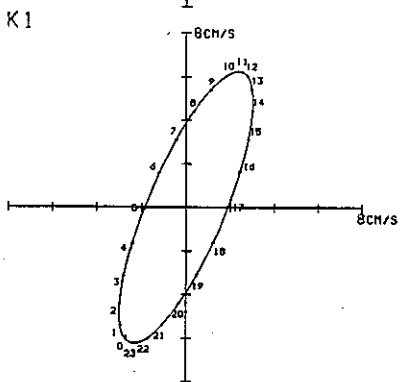
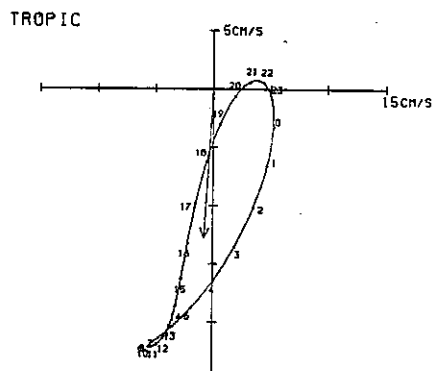
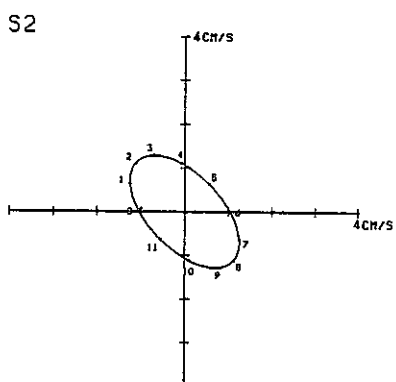
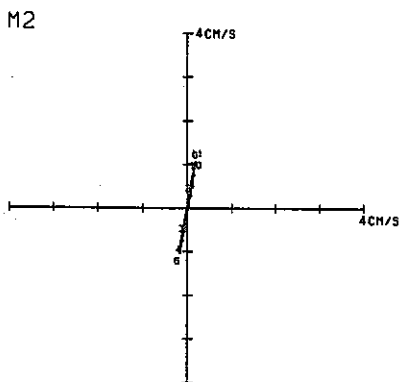
DATE : 1984 / 8 / 11



0-HOUR CORRESPOND TO CULMINATION HOUR OF IMAGINARY HEAVENLY BODY AT OBSERVATION STATION

0-HOUR OF HODGRAPH CORRESPOND TO CULMINATION HOUR OF THE MOON AT HITACHI

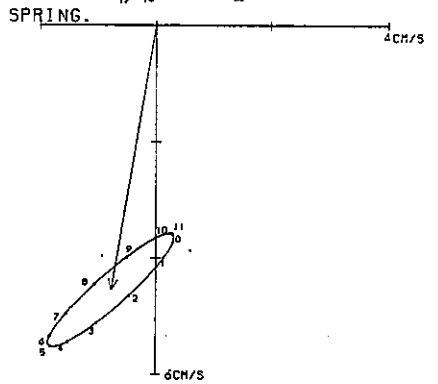
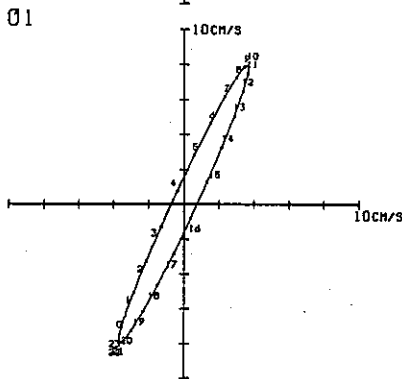
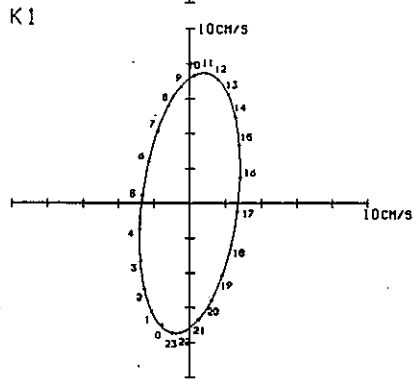
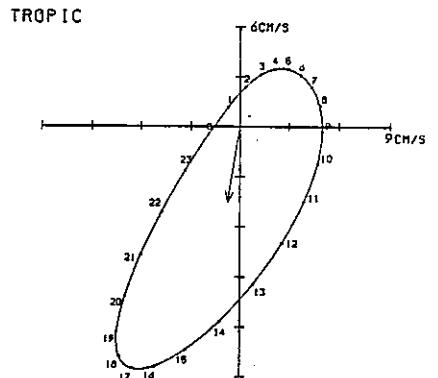
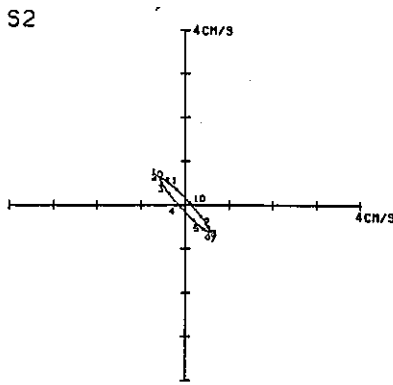
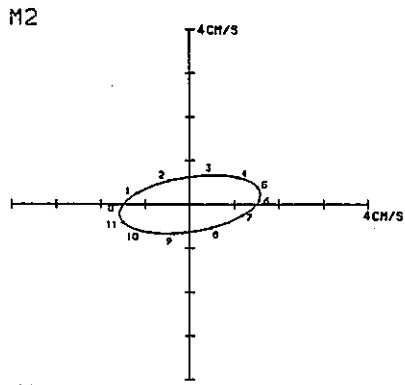
DATE : 1984 / 9 / 21



0-HOUR CORRESPOND TO CULMINATION HOUR OF IMAGINARY HEAVENLY BODY AT OBSERVATION STATION

0-HOUR OF HODGRAPH CORRESPOND TO CULMINATION HOUR OF THE MOON AT HITACHI

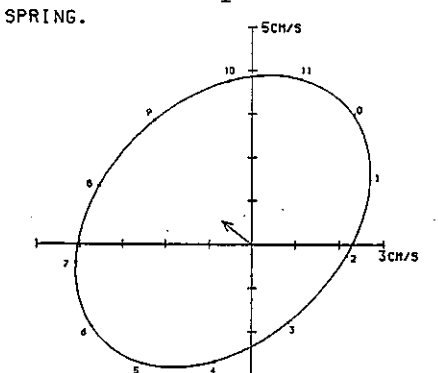
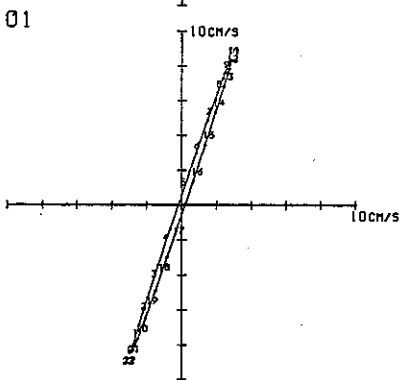
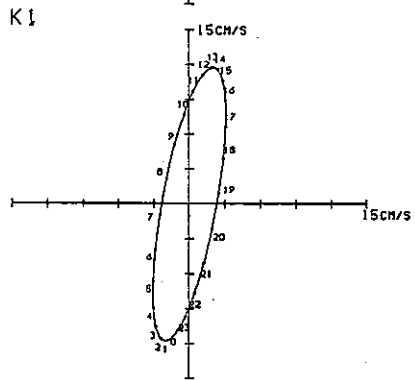
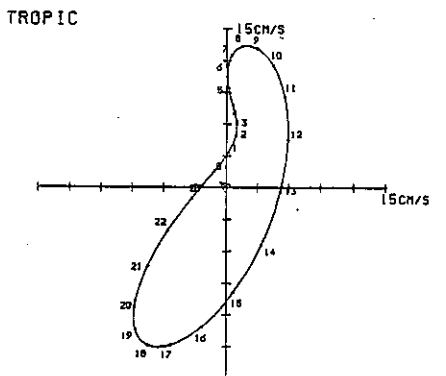
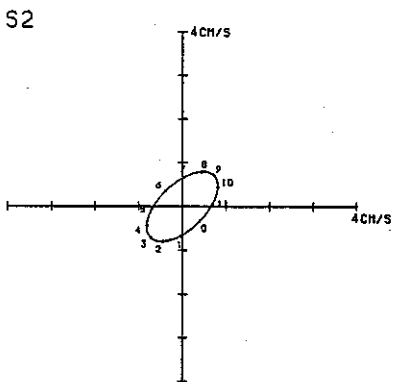
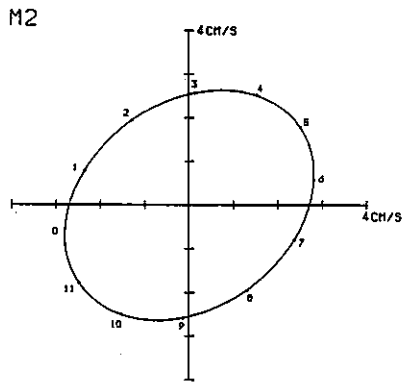
DATE : 1984 / 10 / 16



0-HOUR CORRESPOND TO CULMINATION HOUR OF IMAGINARY HEAVENLY BODY AT OBSERVATION STATION

0-HOUR OF HODOGRAPH CORRESPOND TO CULMINATION HOUR OF THE MOON AT HITACHI

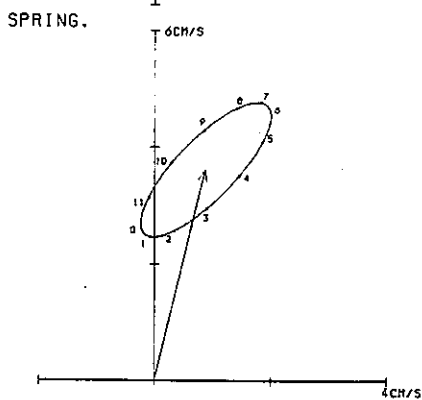
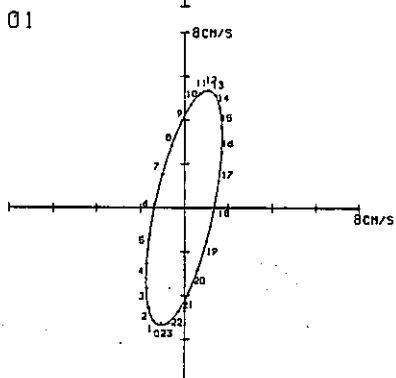
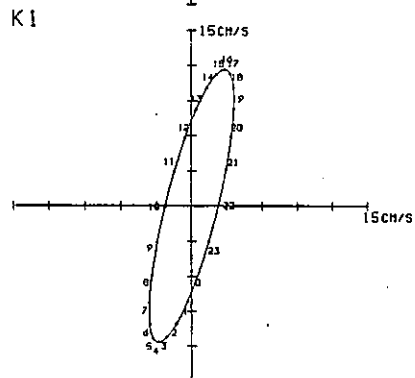
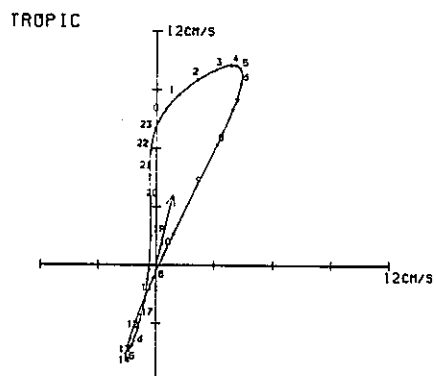
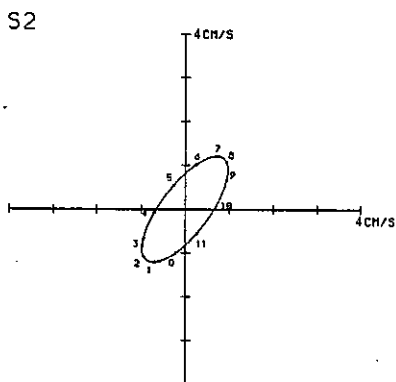
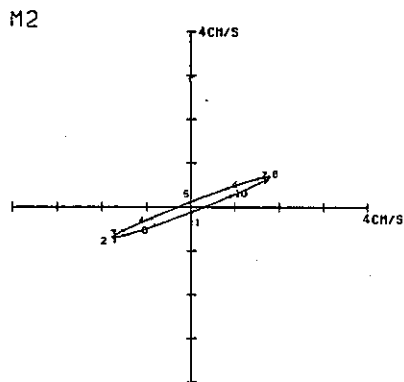
DATE : 1984/11/17



0-HOUR CORRESPOND TO CULMINATION HOUR OF IMAGINARY HEAVENLY BODY AT OBSERVATION STATION

0-HOUR OF HODOGRAPH CORRESPOND TO CULMINATION HOUR OF THE MOON AT HITACHI

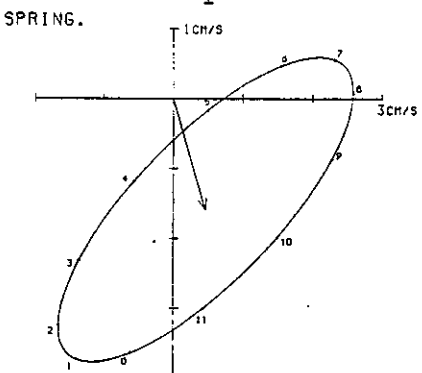
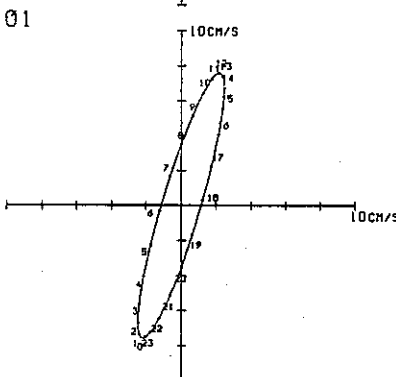
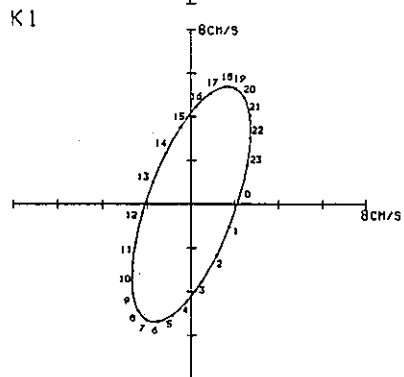
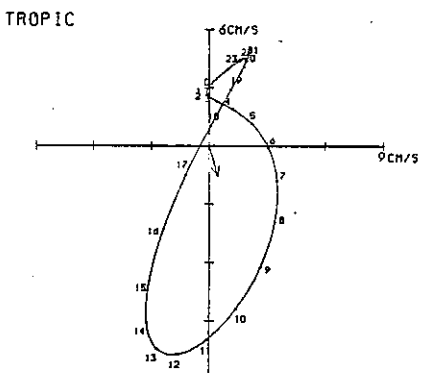
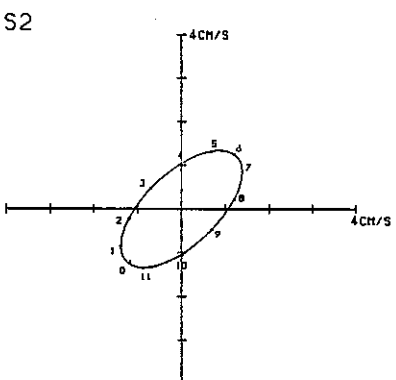
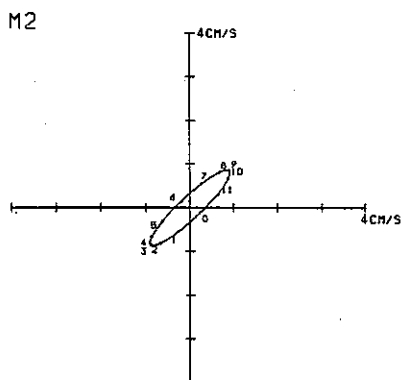
DATE : 1984/12/15



0-HOUR CORRESPOND TO CULMINATION
HOUR OF IMAGINARY HEAVENLY BODY AT
OBSERVATION STATION

0-HOUR OF HODGRAPH CORRESPOND TO
CULMINATION HOUR OF THE MOON
AT HITACHI

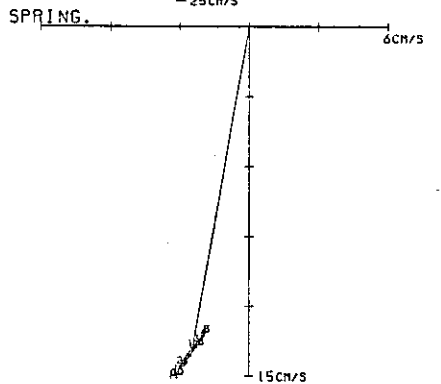
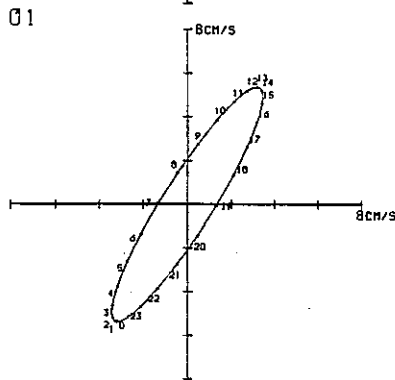
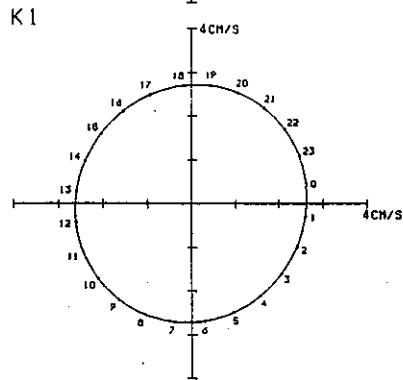
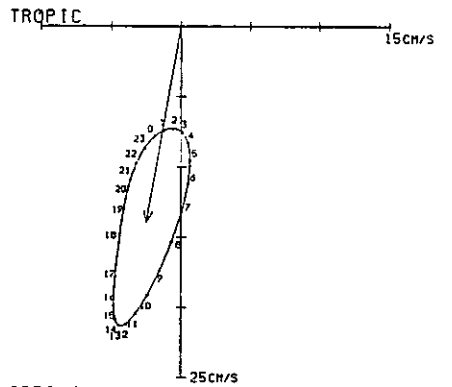
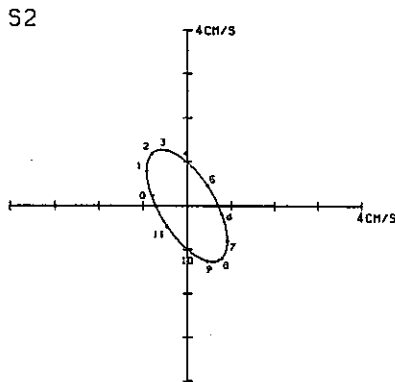
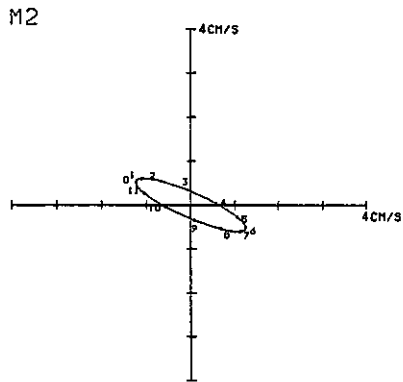
DATE : 1985 / 1 / 16



0-HOUR CORRESPOND TO CULMINATION
HOUR OF IMAGINARY HEAVENLY BODY AT
OBSERVATION STATION

0-HOUR OF HODGRAPH CORRESPOND TO
CULMINATION HOUR OF THE MOON
AT HITACHI

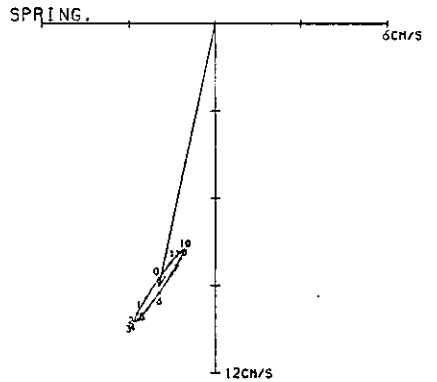
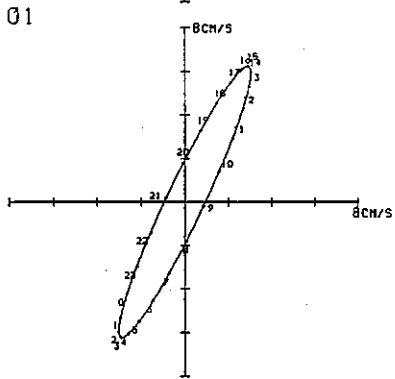
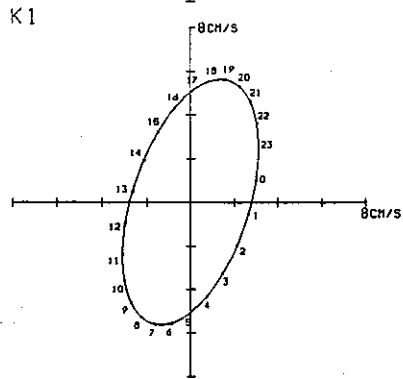
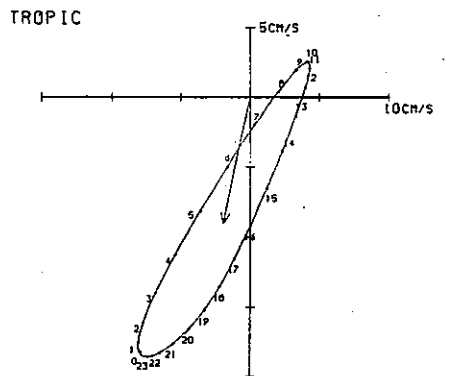
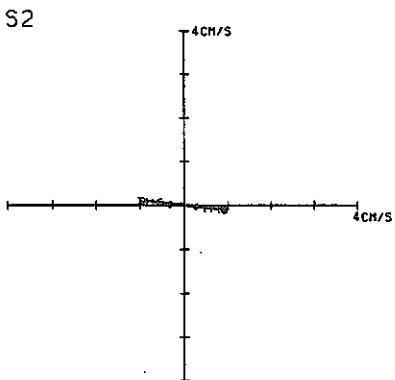
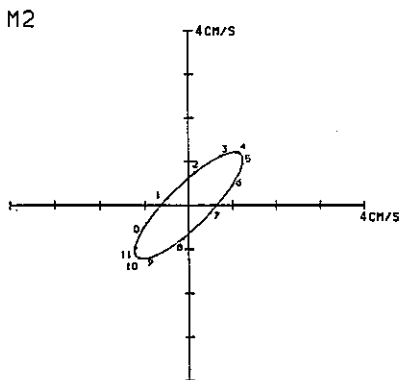
DATE : 1985 / 2 / 15



0-HOUR CORRESPOND TO CULMINATION
HOUR OF IMAGINARY HEAVENLY BODY AT
OBSERVATION STATION

0-HOUR OF HODOGRAPH CORRESPOND TO
CULMINATION HOUR OF THE MOON
AT HITACHI

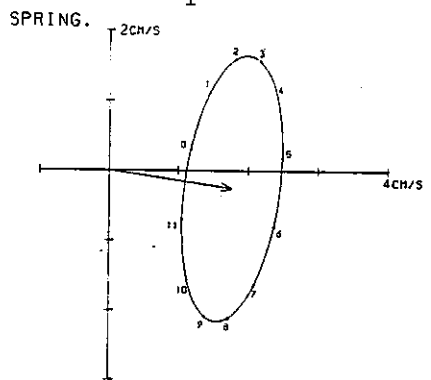
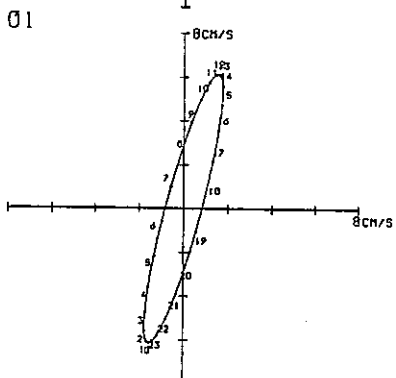
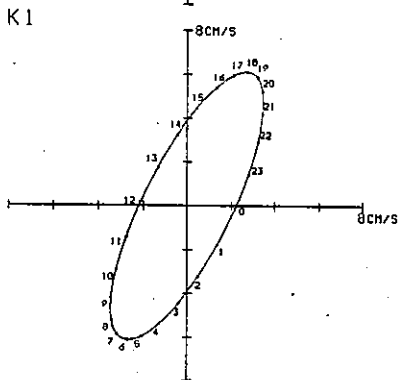
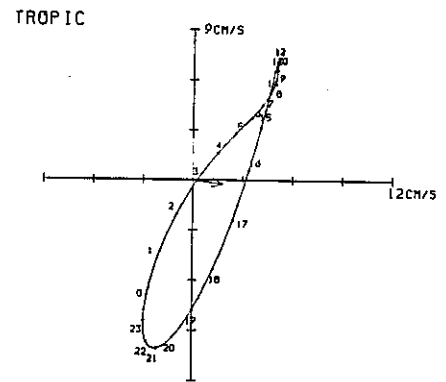
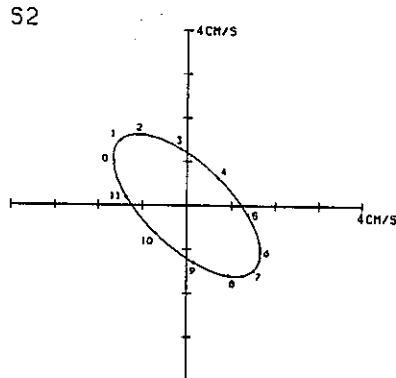
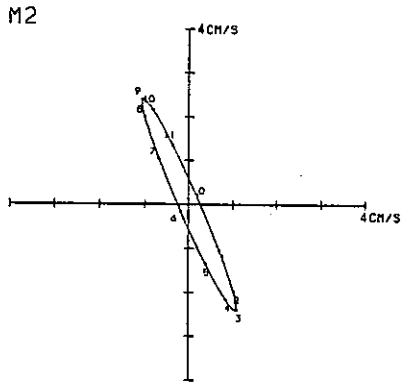
DATE : 1985 / 3 / 16



0-HOUR CORRESPOND TO CULMINATION
HOUR OF IMAGINARY HEAVENLY BODY AT
OBSERVATION STATION

0-HOUR OF HODOGRAPH CORRESPOND TO
CULMINATION HOUR OF THE MOON
AT HITACHI

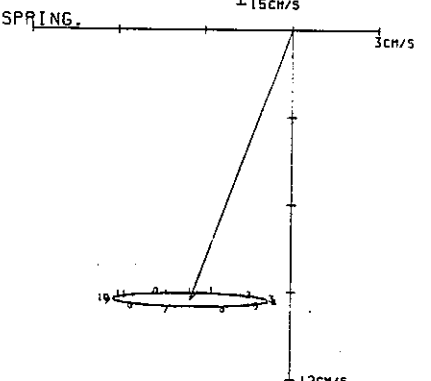
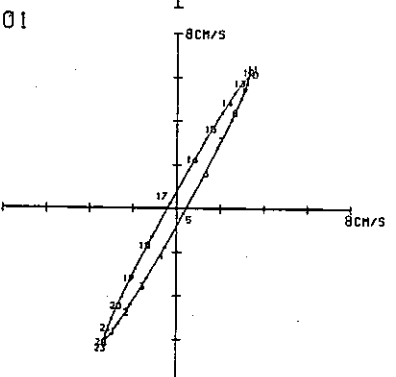
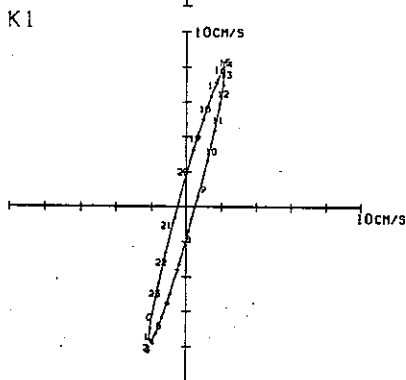
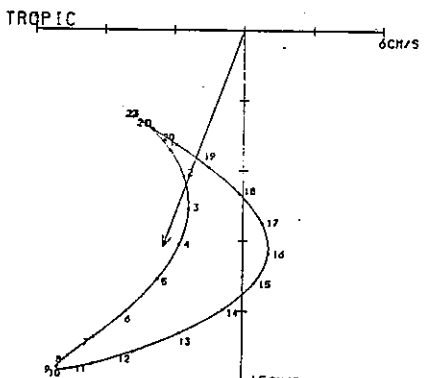
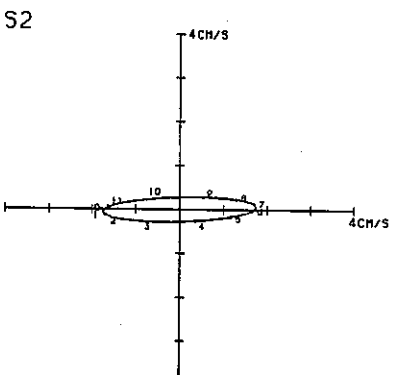
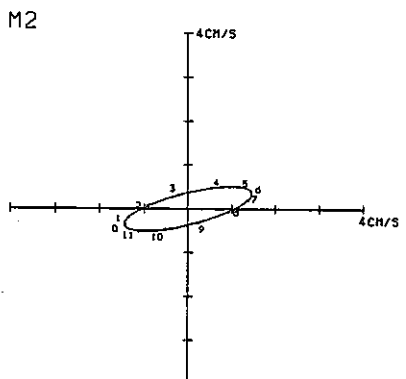
DATE : 1985 / 4 / 16



0-HOUR CORRESPOND TO CULMINATION HOUR OF IMAGINARY HEAVENLY BODY AT OBSERVATION STATION

0-HOUR OF HODGRAPH CORRESPOND TO CULMINATION HOUR OF THE MOON AT HITACHI

DATE : 1985 / 5 / 16

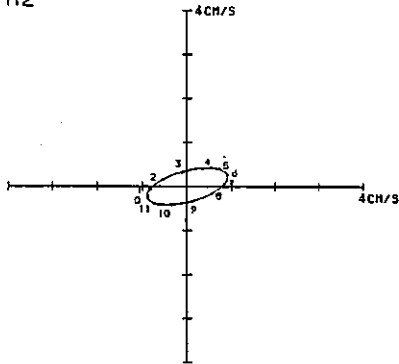


0-HOUR CORRESPOND TO CULMINATION HOUR OF IMAGINARY HEAVENLY BODY AT OBSERVATION STATION

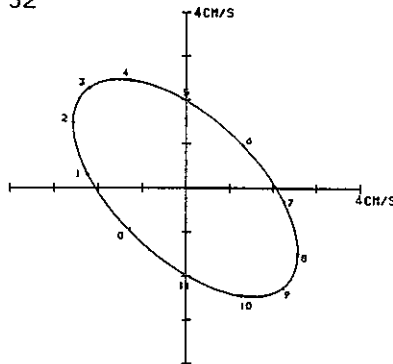
0-HOUR OF HODGRAPH CORRESPOND TO CULMINATION HOUR OF THE MOON AT HITACHI

DATE : 1985 / 6 / 16

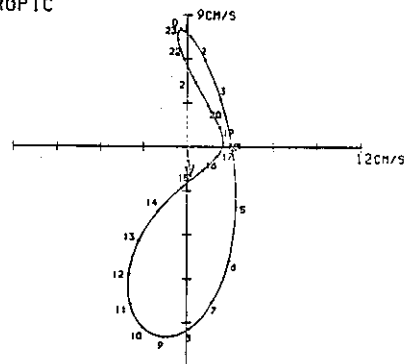
M2



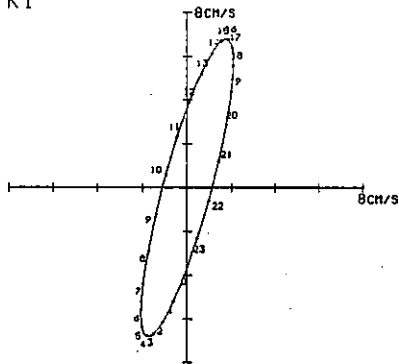
S2



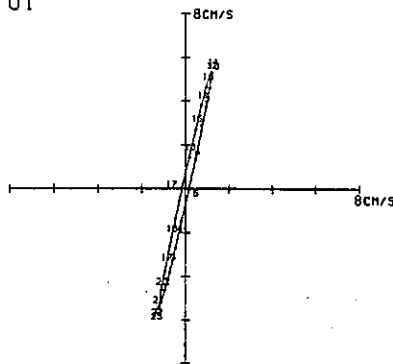
TROPIC



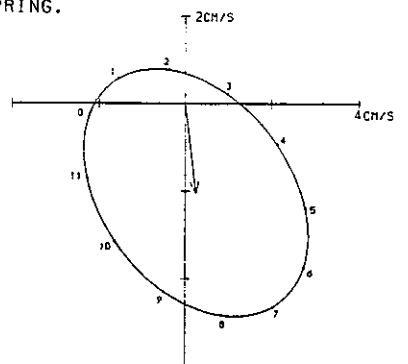
K1



O1



SPRING.

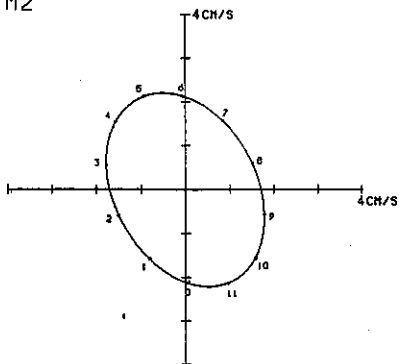


0-HOUR CORRESPOND TO CULMINATION
HOUR OF IMAGINARY HEAVENLY BODY AT
OBSERVATION STATION

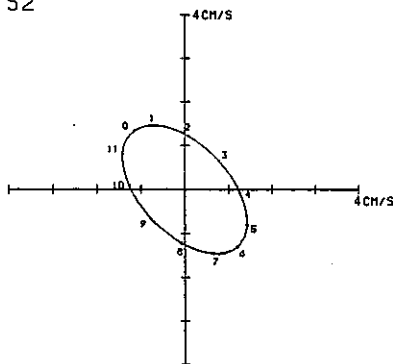
0-HOUR OF HODOGRAPH CORRESPOND TO
CULMINATION HOUR OF THE MOON
AT HITACHI

DATE : 1985 / 7 / 16

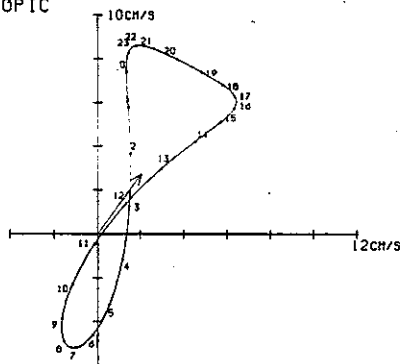
M2



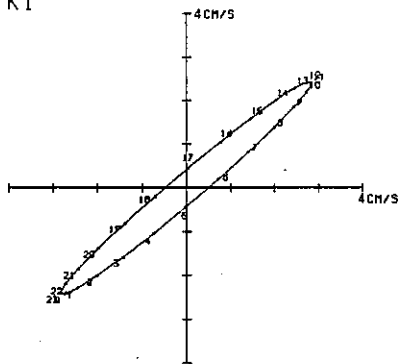
S2



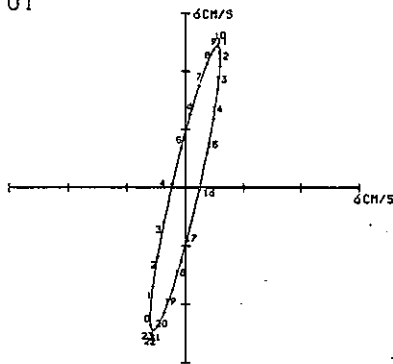
TROPIC



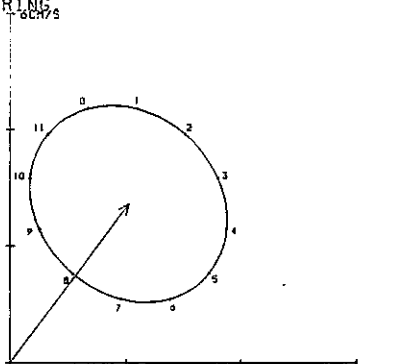
K1



O1



SPRING

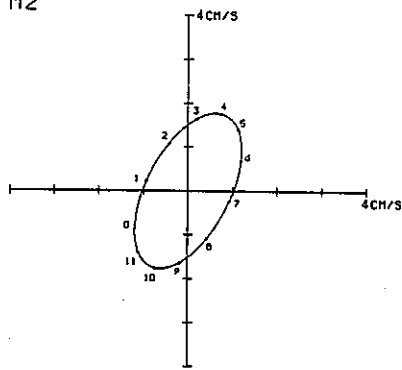


0-HOUR CORRESPOND TO CULMINATION
HOUR OF IMAGINARY HEAVENLY BODY AT
OBSERVATION STATION

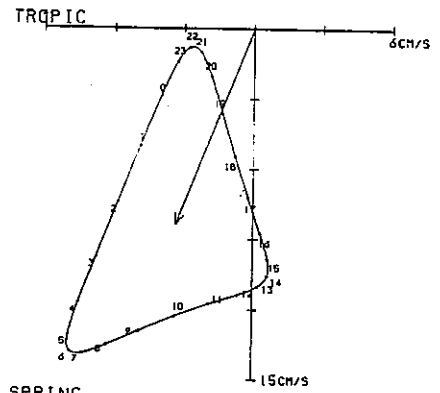
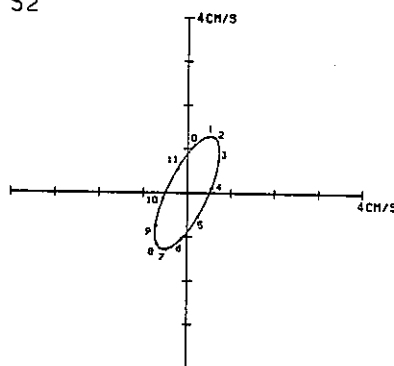
0-HOUR OF HODOGRAPH CORRESPOND TO
CULMINATION HOUR OF THE MOON
AT HITACHI

DATE : 1985 / 8 / 16

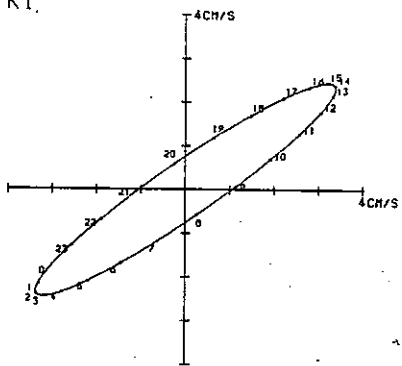
M2



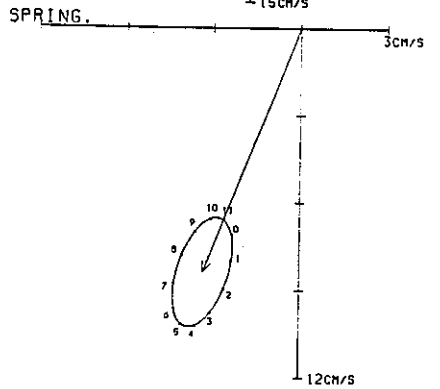
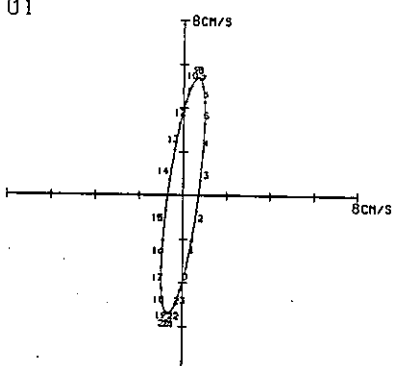
S2



K1



O1

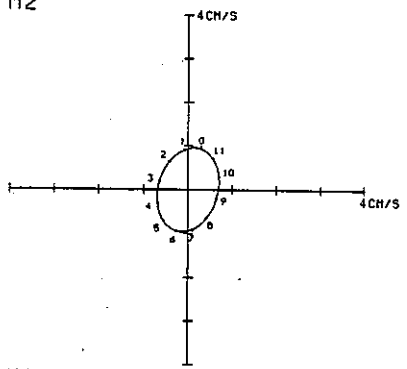


0-HOUR CORRESPOND TO CULMINATION HOUR OF IMAGINARY HEAVENLY BODY AT OBSERVATION STATION

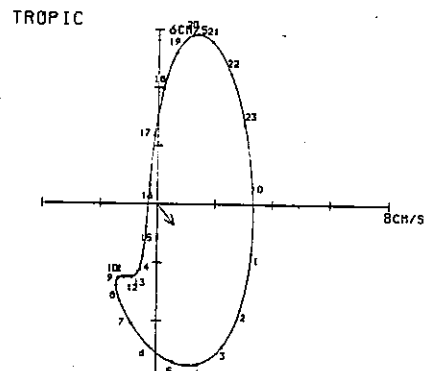
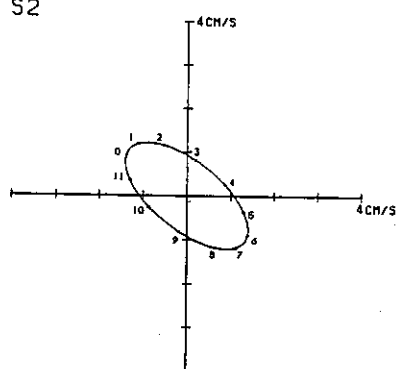
0-HOUR OF HODOGRAPH CORRESPOND TO CULMINATION HOUR OF THE MOON AT HITACHI

DATE : 1985 / 9 / 16

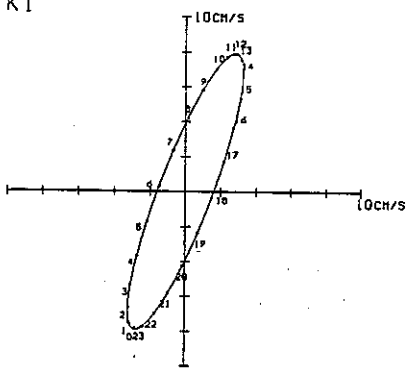
M2



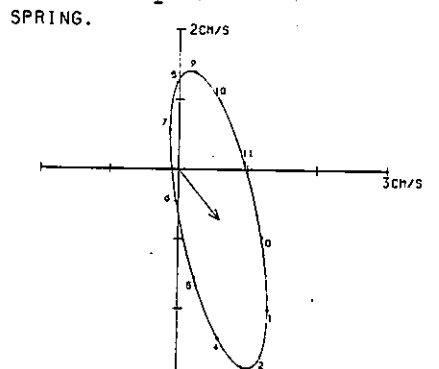
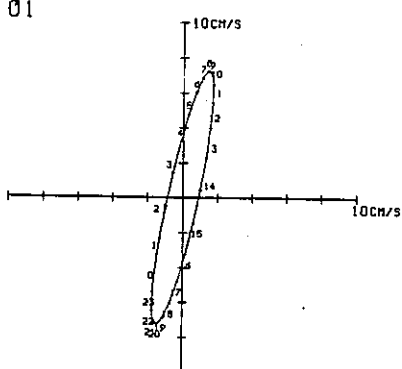
S2



K1



O1

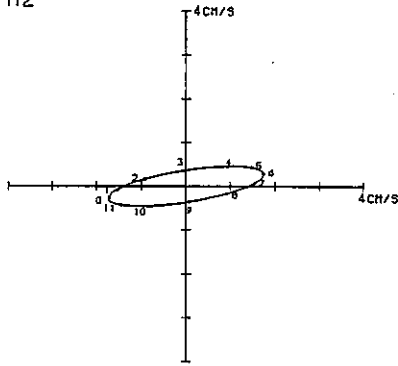


0-HOUR CORRESPOND TO CULMINATION HOUR OF IMAGINARY HEAVENLY BODY AT OBSERVATION STATION

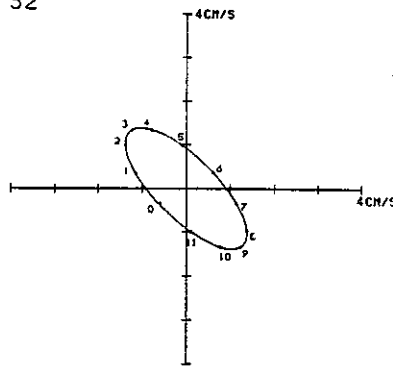
0-HOUR OF HODOGRAPH CORRESPOND TO CULMINATION HOUR OF THE MOON AT HITACHI

DATE : 1985 / 10 / 16

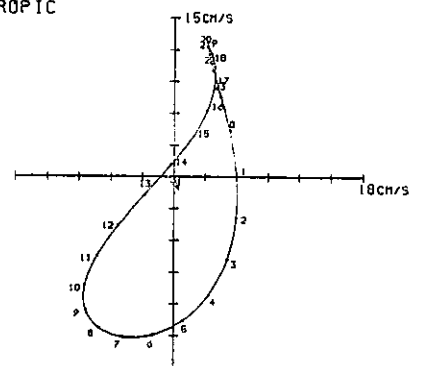
M2



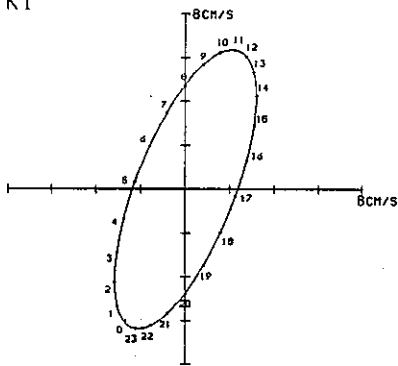
S2



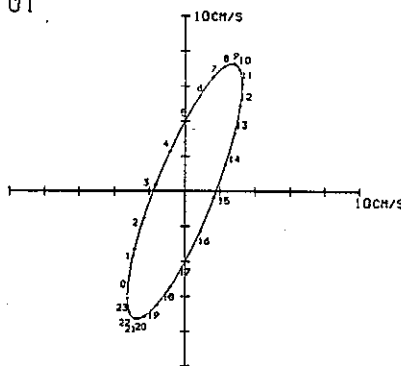
TROPIC



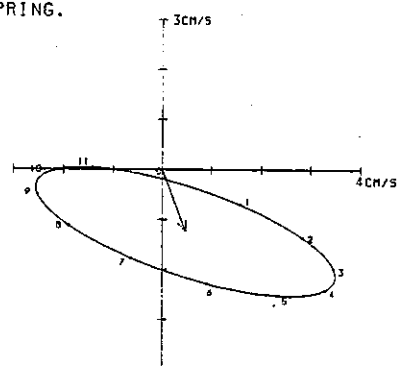
K1



Q1



SPRING.

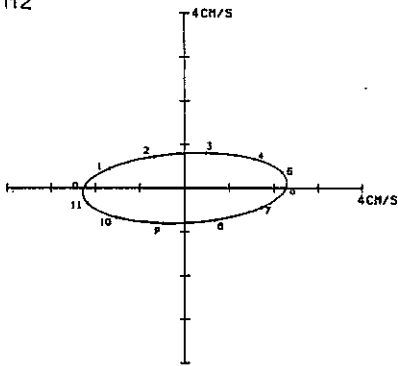


0-HOUR CORRESPOND TO CULMINATION HOUR OF IMAGINARY HEAVENLY BODY AT OBSERVATION STATION

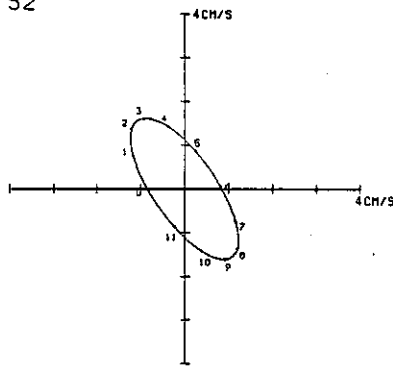
0-HOUR OF HODOGRAPH CORRESPOND TO CULMINATION HOUR OF THE MOON AT HITACHI

DATE : 1985/11/16

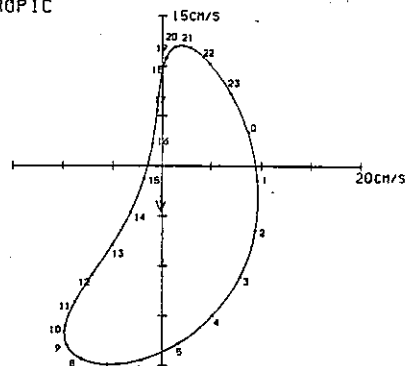
M2



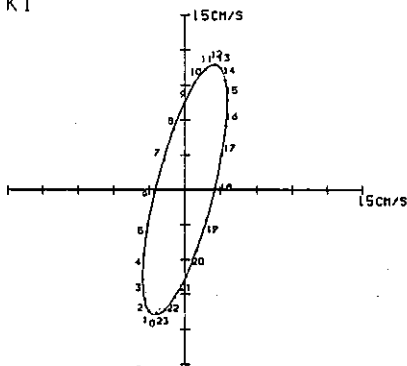
S2



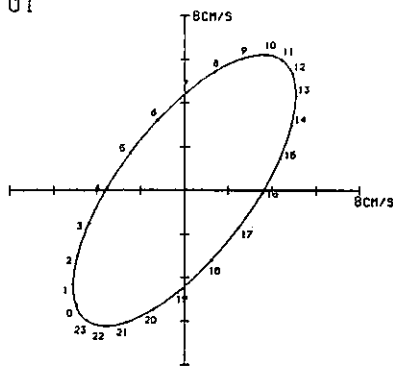
TROPIC



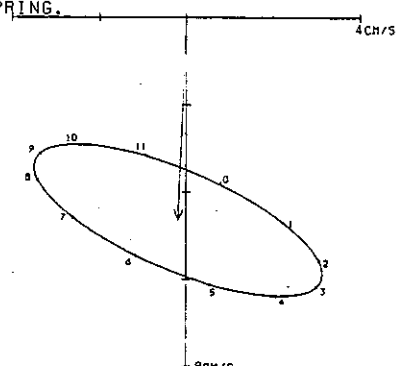
K1



Q1



SPRING.



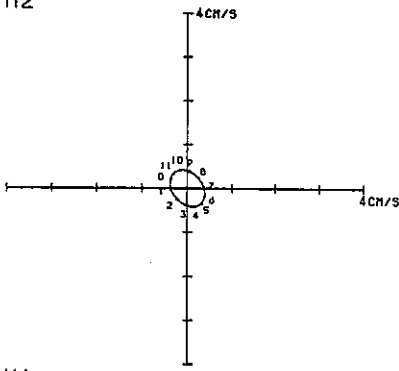
0-HOUR CORRESPOND TO CULMINATION HOUR OF IMAGINARY HEAVENLY BODY AT OBSERVATION STATION

0-HOUR OF HODOGRAPH CORRESPOND TO CULMINATION HOUR OF THE MOON AT HITACHI

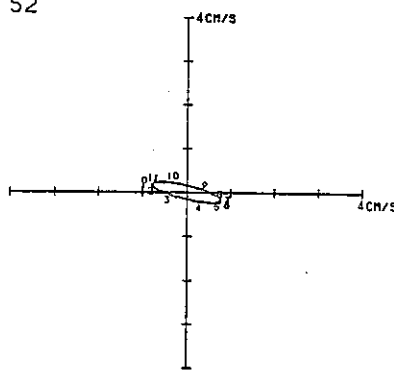
DATE : 1985/12/16

2、海面下10 m層の潮流の調和解析結果

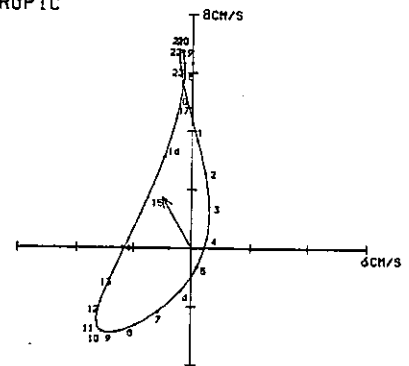
M2



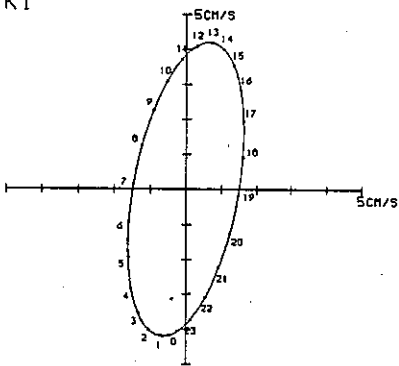
S2



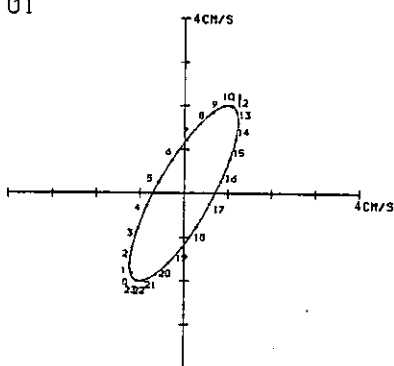
TROPIC



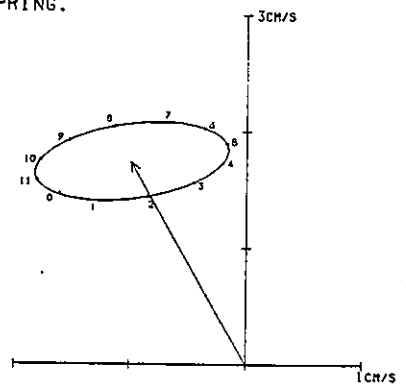
K1



O1



SPRING.

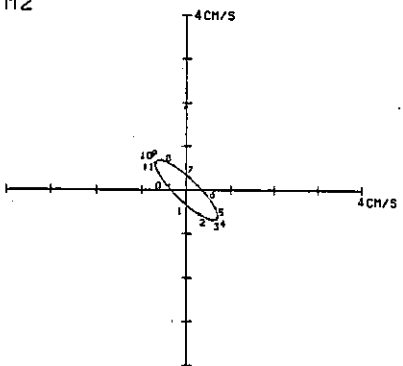


0-HOUR CORRESPOND TO CULMINATION HOUR OF IMAGINARY HEAVENLY BODY AT OBSERVATION STATION

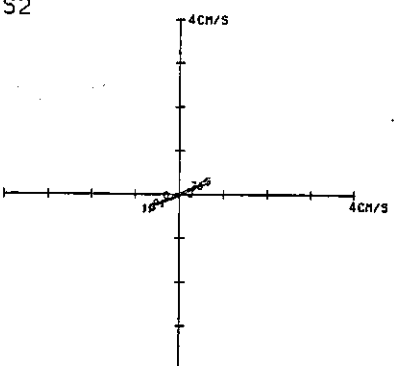
0-HOUR OF HODGRAPH CORRESPOND TO CULMINATION HOUR OF THE MOON AT HITACHI

DATE : 1981 / 1 / 17

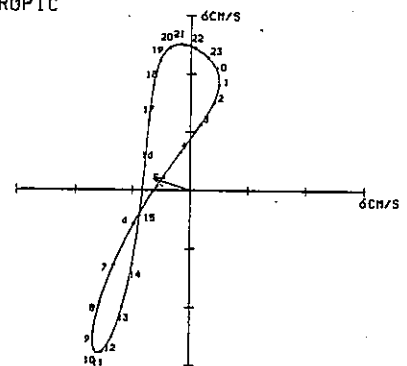
M2



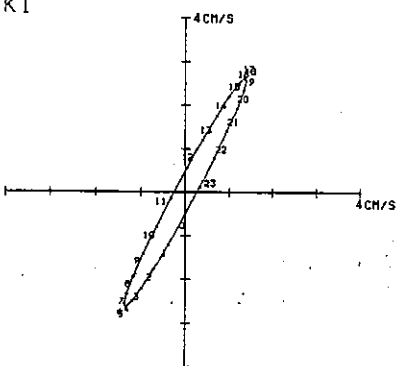
S2



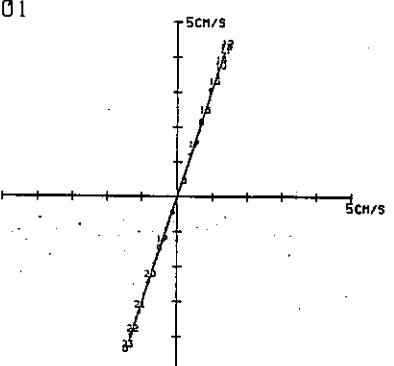
TROPIC



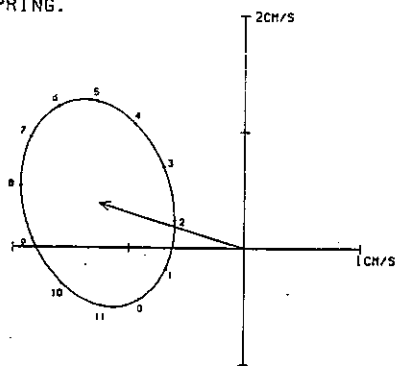
K1



O1



SPRING.

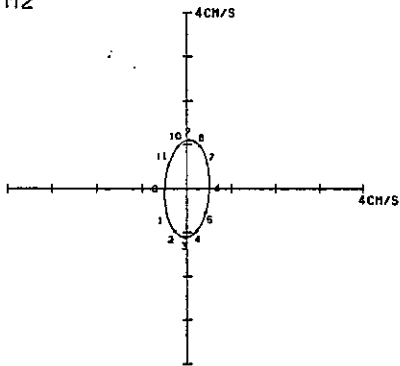


0-HOUR CORRESPOND TO CULMINATION HOUR OF IMAGINARY HEAVENLY BODY AT OBSERVATION STATION

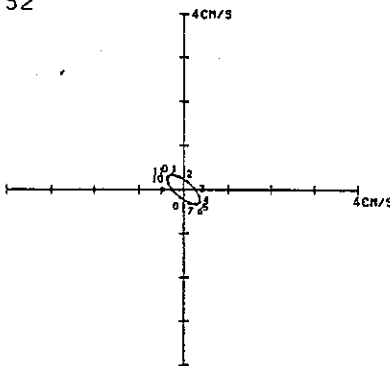
0-HOUR OF HODGRAPH CORRESPOND TO CULMINATION HOUR OF THE MOON AT HITACHI

DATE : 1981 / 2 / 15

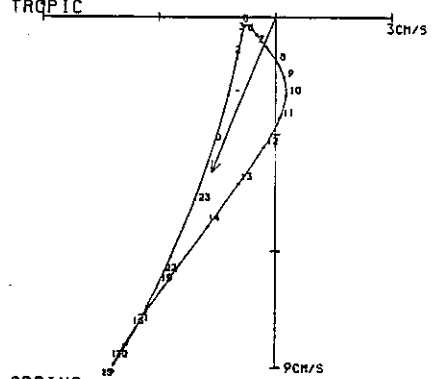
M2



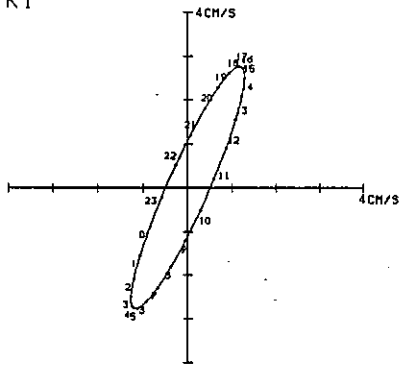
S2



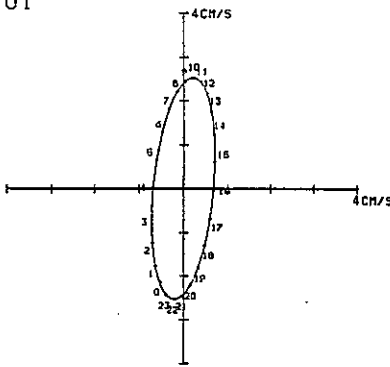
TRQPIC



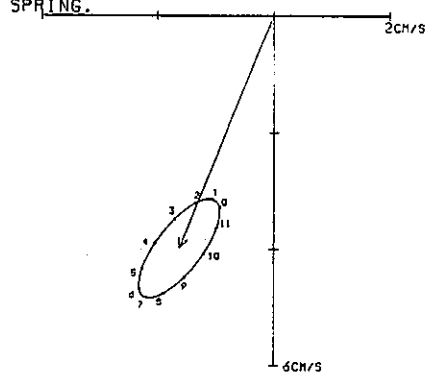
K1



G1



SPRING.

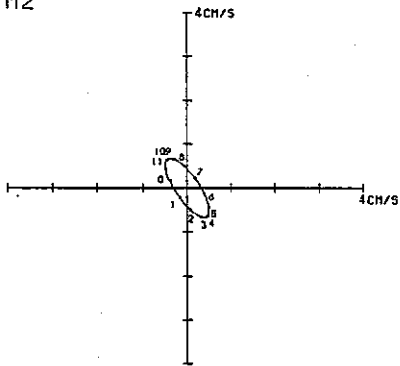


0-HOUR CORRESPOND TO CULMINATION HOUR OF IMAGINARY HEAVENLY BODY AT OBSERVATION STATION

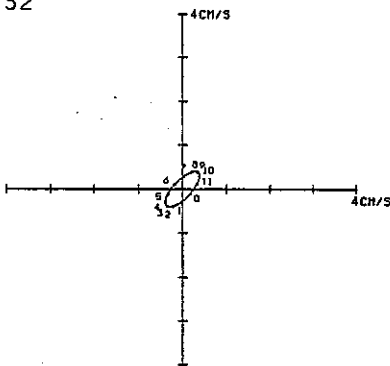
0-HOUR OF HODGRAPH CORRESPOND TO CULMINATION HOUR OF THE MOON AT HITACHI

DATE : 1981 / 3 / 16

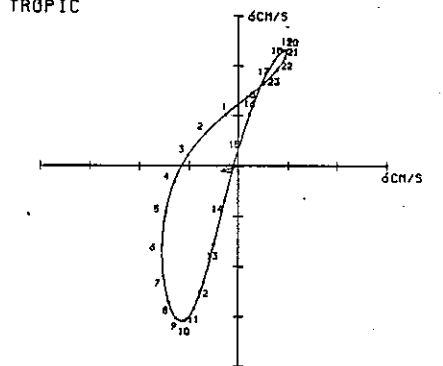
M2



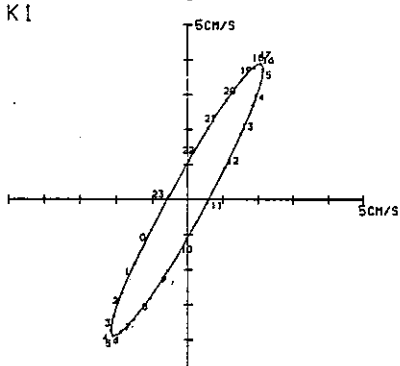
S2



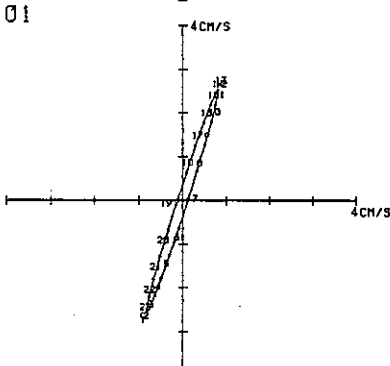
TROPIC



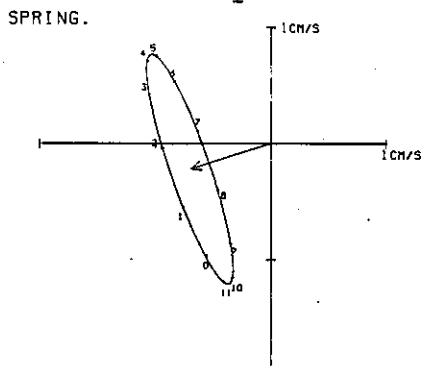
K1



G1



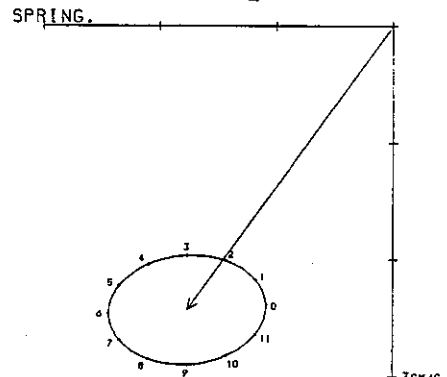
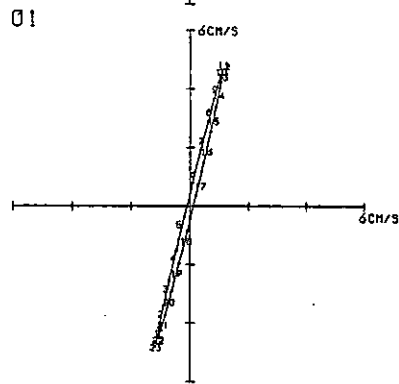
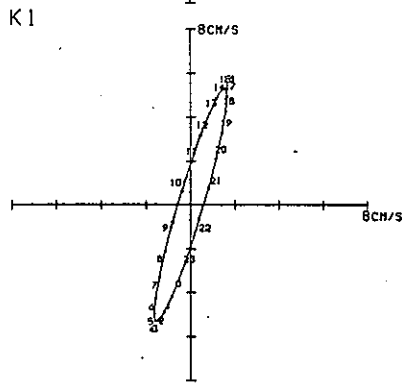
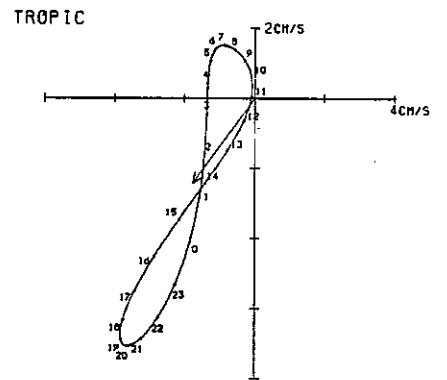
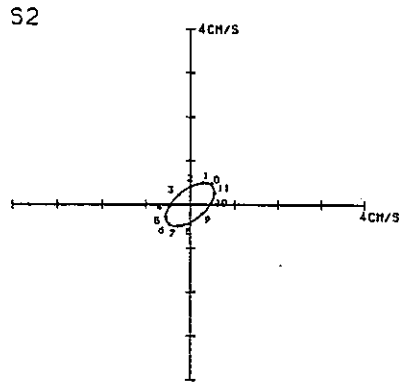
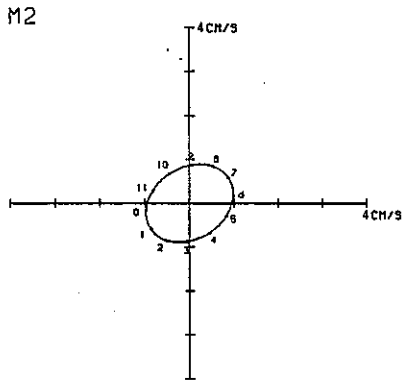
SPRING.



0-HOUR CORRESPOND TO CULMINATION HOUR OF IMAGINARY HEAVENLY BODY AT OBSERVATION STATION

0-HOUR OF HODGRAPH CORRESPOND TO CULMINATION HOUR OF THE MOON AT HITACHI

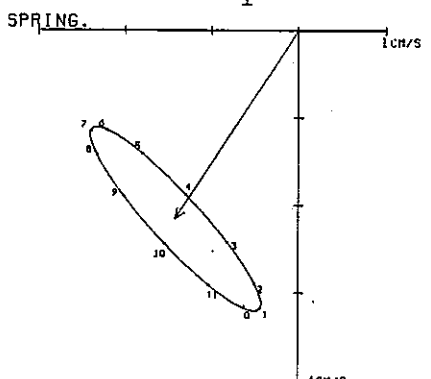
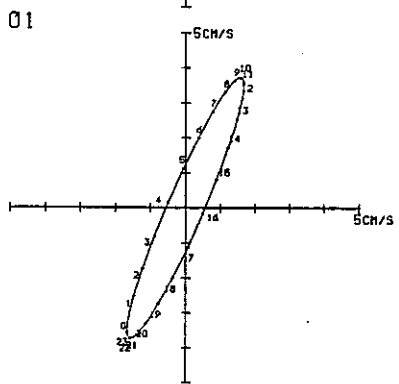
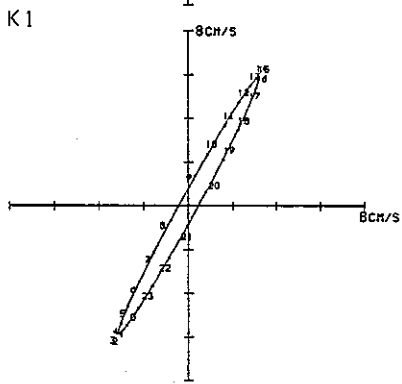
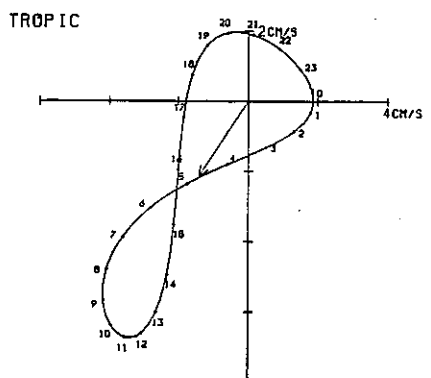
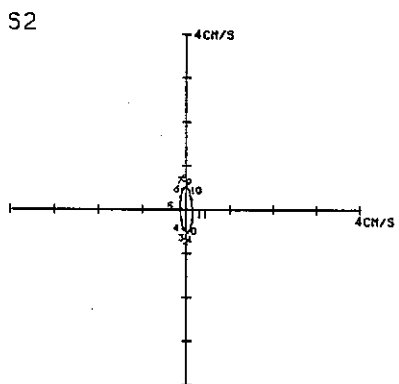
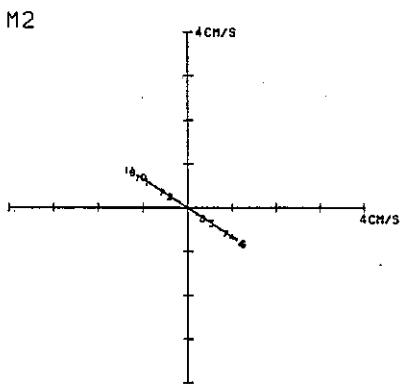
DATE : 1981 / 4 / 16



0-HOUR CORRESPOND TO CULMINATION HOUR OF IMAGINARY HEAVENLY BODY AT OBSERVATION STATION

0-HOUR OF HODOGRAPH CORRESPOND TO CULMINATION HOUR OF THE MOON AT HITACHI

DATE : 1981 / 5 / 16

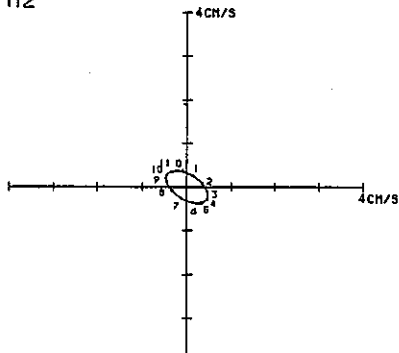


0-HOUR CORRESPOND TO CULMINATION HOUR OF IMAGINARY HEAVENLY BODY AT OBSERVATION STATION

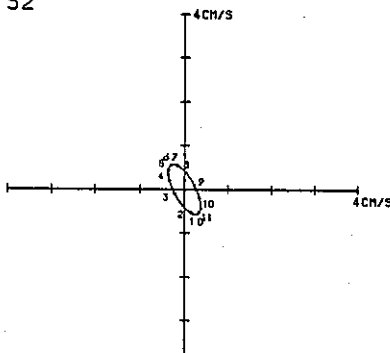
0-HOUR OF HODOGRAPH CORRESPOND TO CULMINATION HOUR OF THE MOON AT HITACHI

DATE : 1981 / 6 / 16

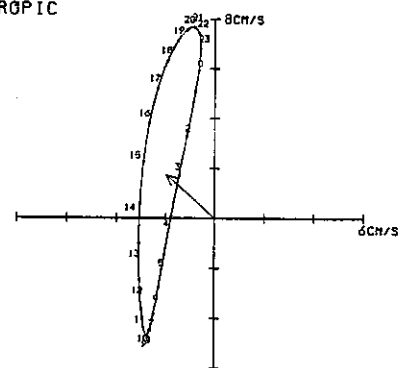
M2



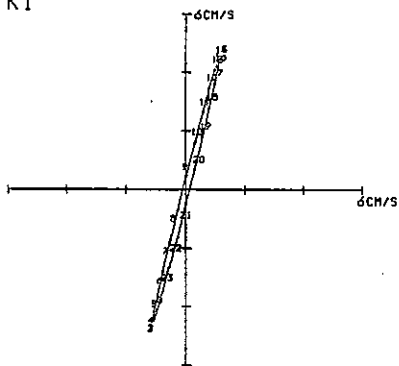
S2



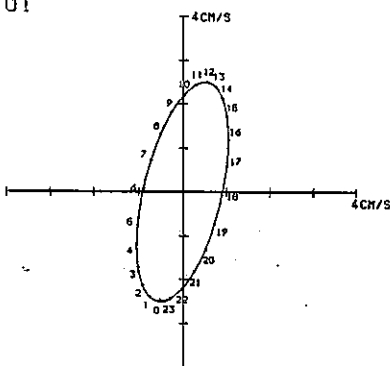
TROPIC



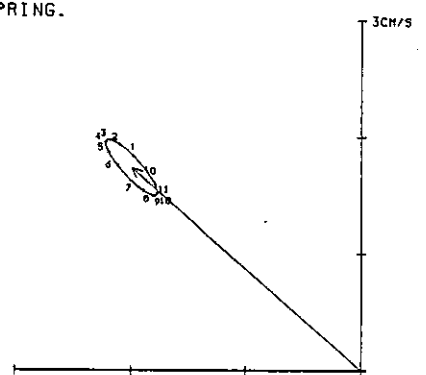
K1



O1



SPRING.

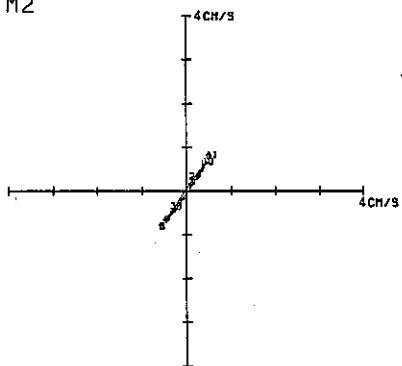


0-HOUR CORRESPOND TO CULMINATION HOUR OF IMAGINARY HEAVENLY BODY AT OBSERVATION STATION

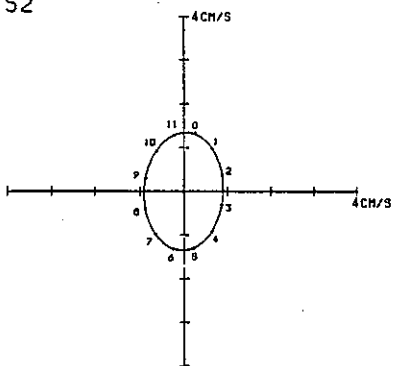
0-HOUR OF HODGRAPH CORRESPOND TO CULMINATION HOUR OF THE MOON AT HITACHI

DATE : 1981 / 8 / 16

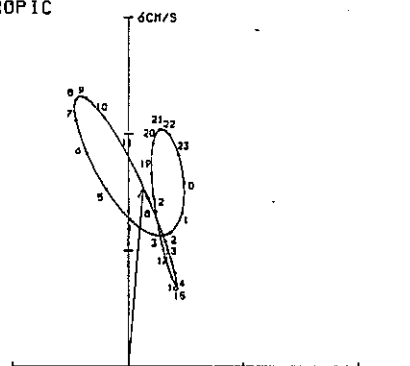
M2



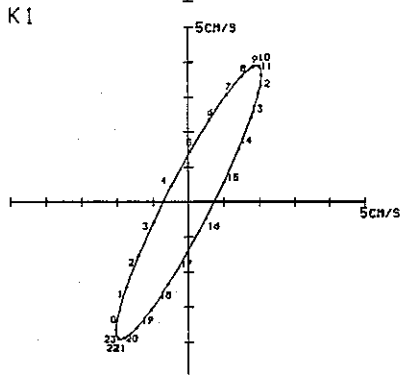
S2



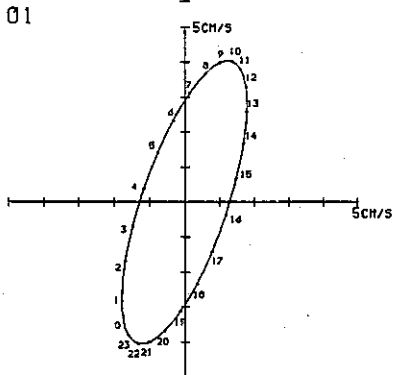
TROPIC



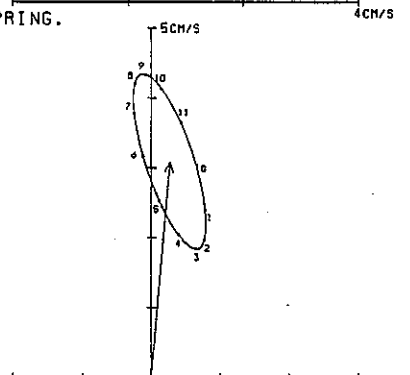
K1



O1



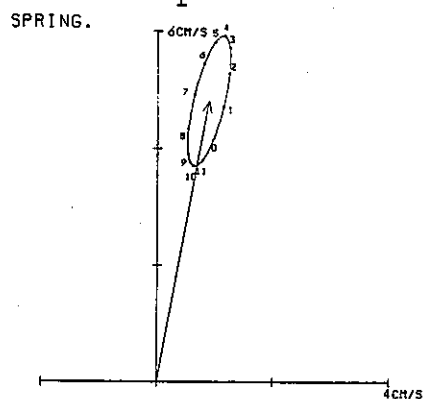
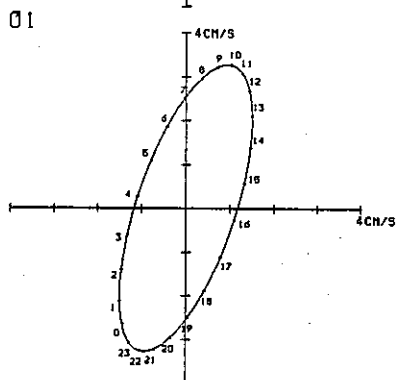
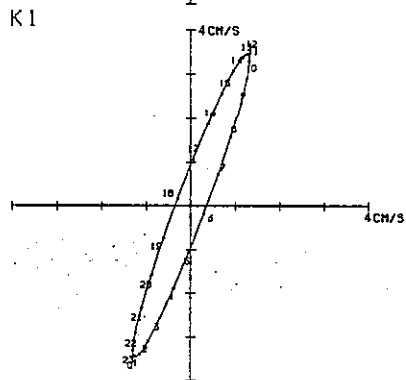
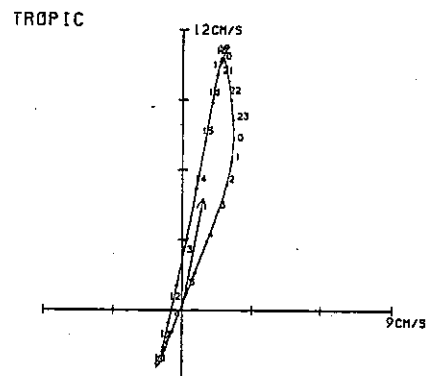
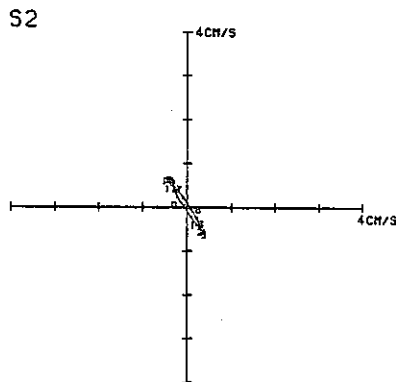
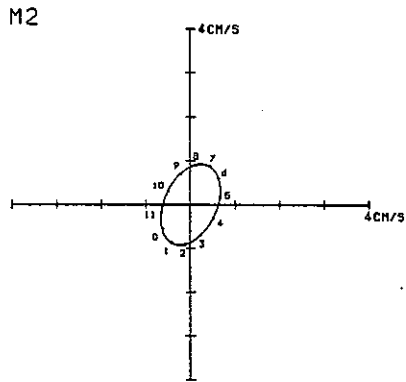
SPRING.



0-HOUR CORRESPOND TO CULMINATION HOUR OF IMAGINARY HEAVENLY BODY AT OBSERVATION STATION

0-HOUR OF HODGRAPH CORRESPOND TO CULMINATION HOUR OF THE MOON AT HITACHI

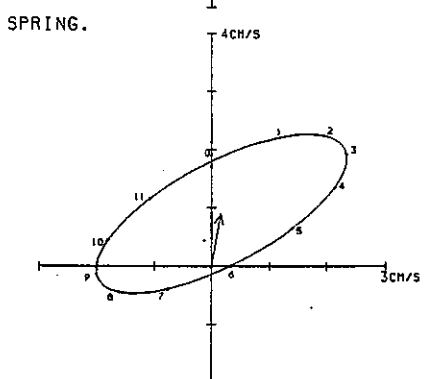
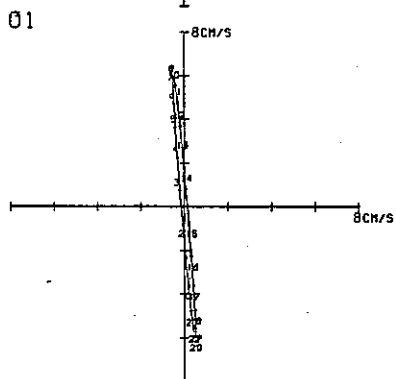
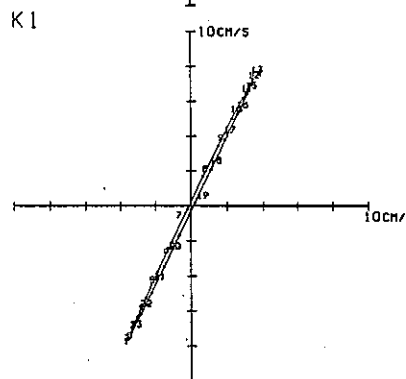
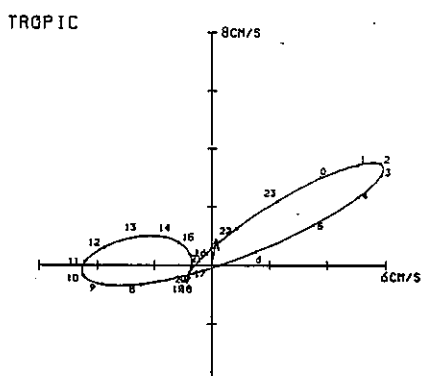
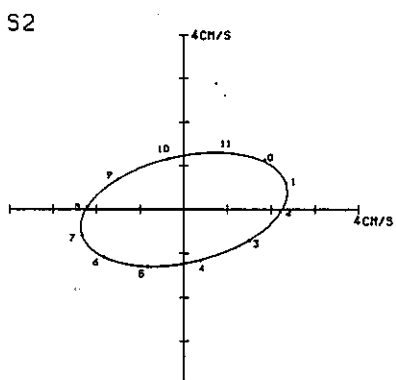
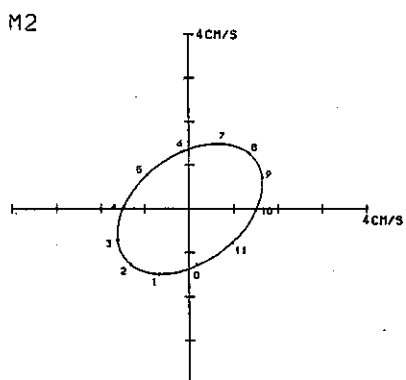
DATE : 1981 / 11 / 22



0-HOUR CORRESPOND TO CULMINATION HOUR OF IMAGINARY HEAVENLY BODY AT OBSERVATION STATION

0-HOUR OF HODOGRAPH CORRESPOND TO CULMINATION HOUR OF THE MOON AT HITACHI

DATE : 1981/12/16

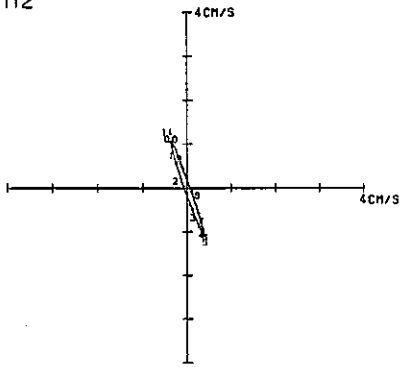


0-HOUR CORRESPOND TO CULMINATION HOUR OF IMAGINARY HEAVENLY BODY AT OBSERVATION STATION

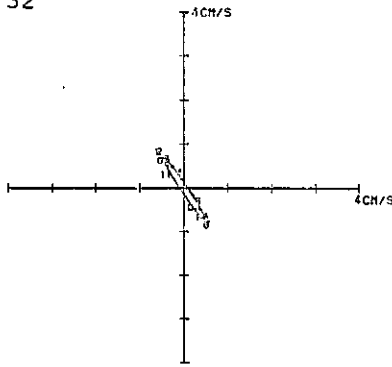
0-HOUR OF HODOGRAPH CORRESPOND TO CULMINATION HOUR OF THE MOON AT HITACHI

DATE : 1982/1/5

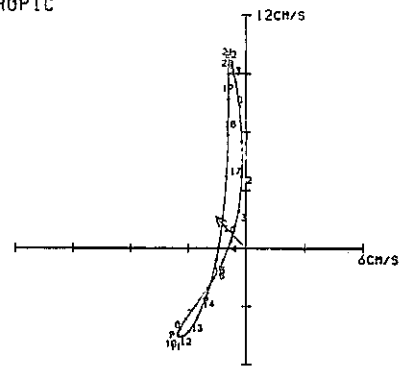
M2



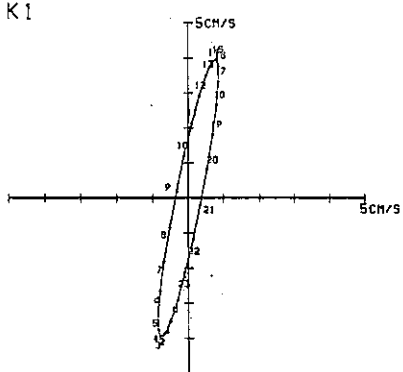
S2



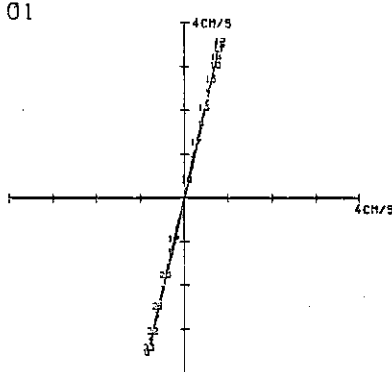
TROPIC



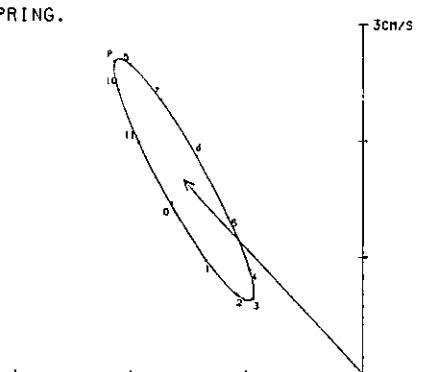
K1



O1



SPRING.

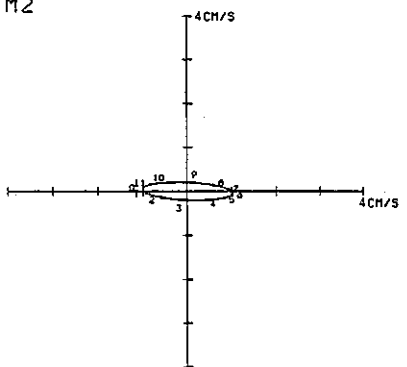


0-HOUR CORRESPOND TO CULMINATION HOUR OF IMAGINARY HEAVENLY BODY AT OBSERVATION STATION

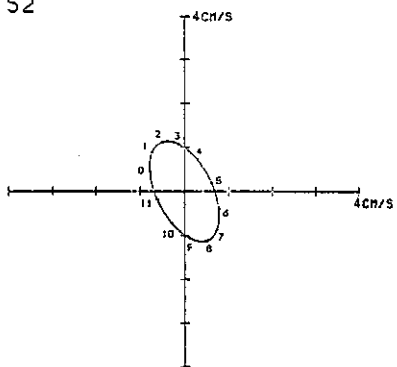
0-HOUR OF HODGRAPH CORRESPOND TO CULMINATION HOUR OF THE MOON AT HITACHI

DATE : 1982 / 1 / 23

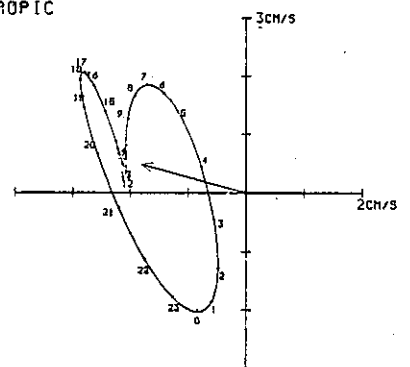
M2



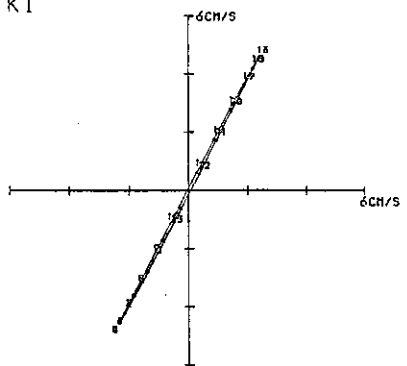
S2



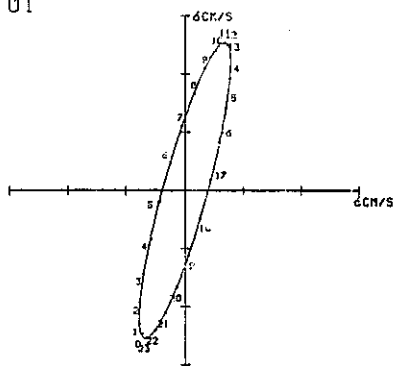
TROPIC



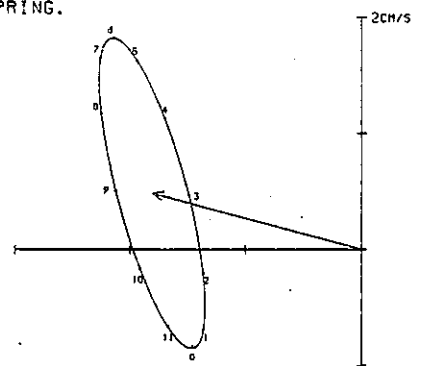
K1



O1



SPRING.

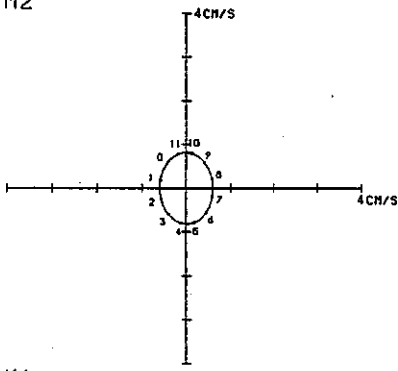


0-HOUR CORRESPOND TO CULMINATION HOUR OF IMAGINARY HEAVENLY BODY AT OBSERVATION STATION

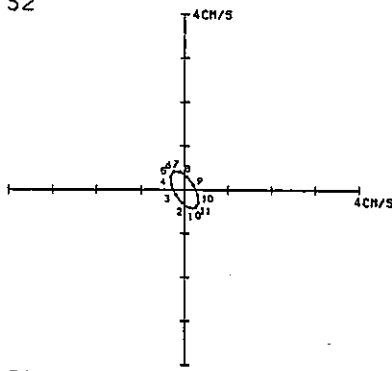
0-HOUR OF HODGRAPH CORRESPOND TO CULMINATION HOUR OF THE MOON AT HITACHI

DATE : 1982 / 2 / 15

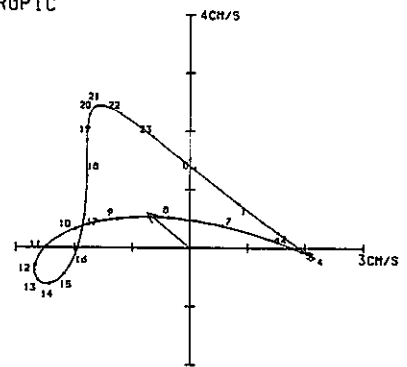
M2



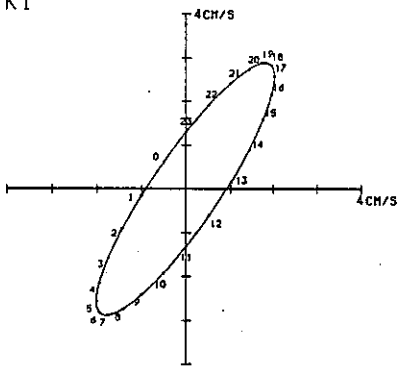
S2



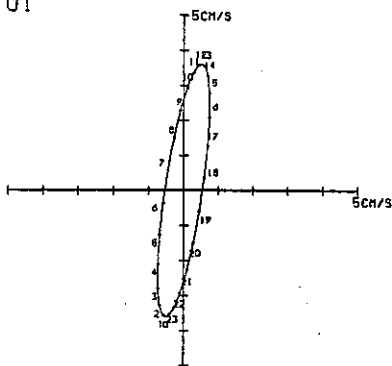
TROPIC



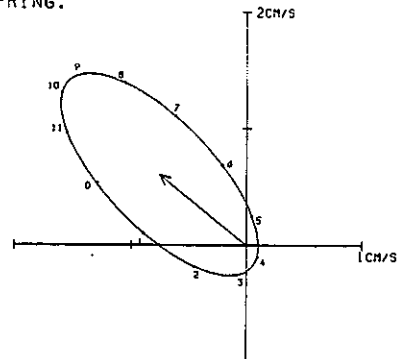
K1



Q1



SPRING.

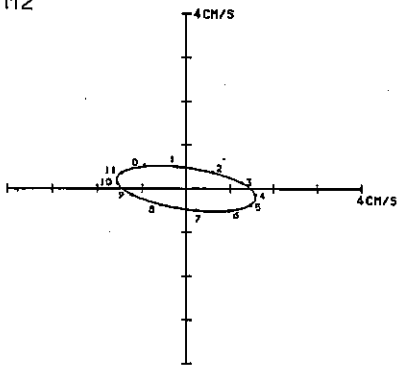


0-HOUR CORRESPOND TO CULMINATION HOUR OF IMAGINARY HEAVENLY BODY AT OBSERVATION STATION

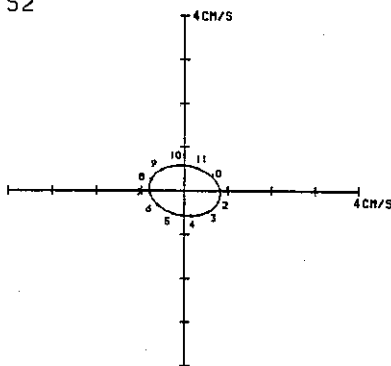
0-HOUR OF HODOGRAPH CORRESPOND TO CULMINATION HOUR OF THE MOON AT HITACHI

DATE : 1982 / 3 / 16

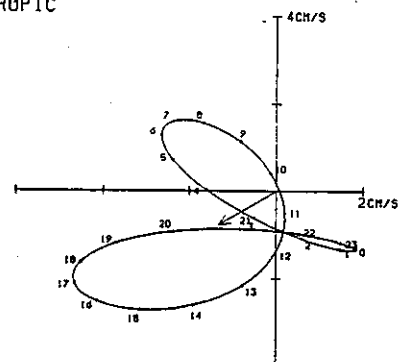
M2



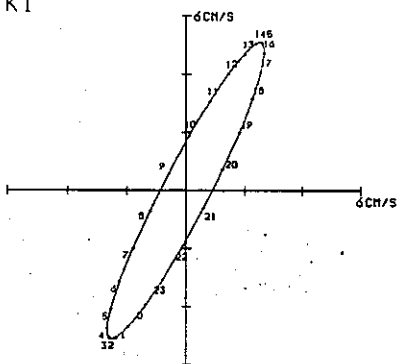
S2



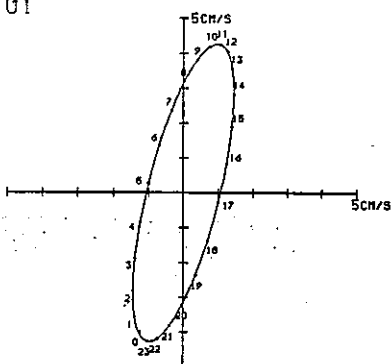
TROPIC



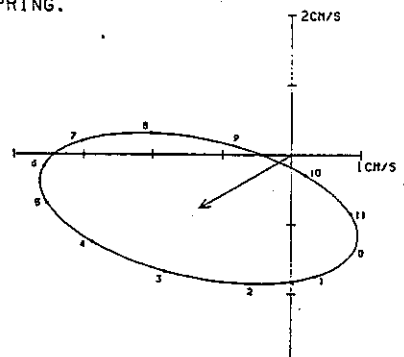
K1



Q1



SPRING.

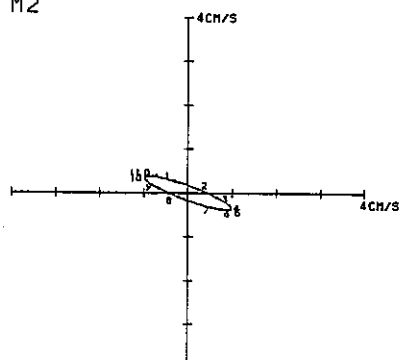


0-HOUR CORRESPOND TO CULMINATION HOUR OF IMAGINARY HEAVENLY BODY AT OBSERVATION STATION

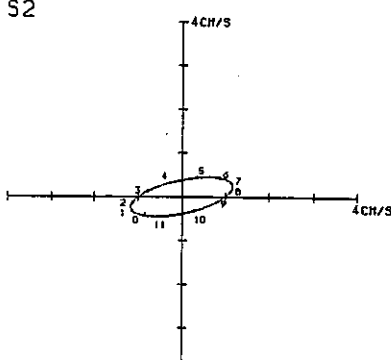
0-HOUR OF HODOGRAPH CORRESPOND TO CULMINATION HOUR OF THE MOON AT HITACHI

DATE : 1982 / 5 / 21

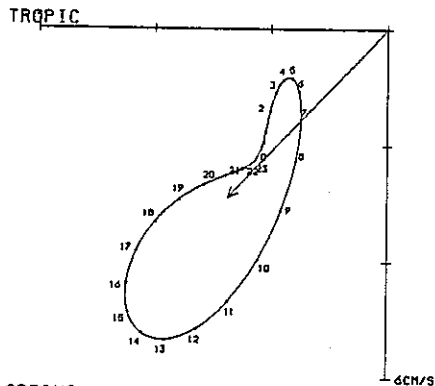
M2



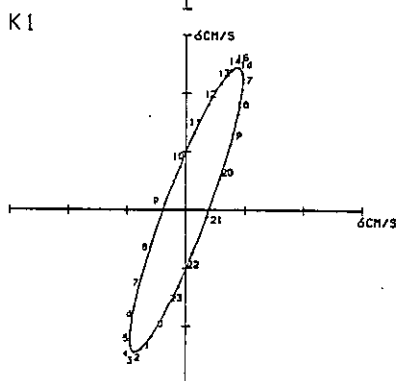
S2



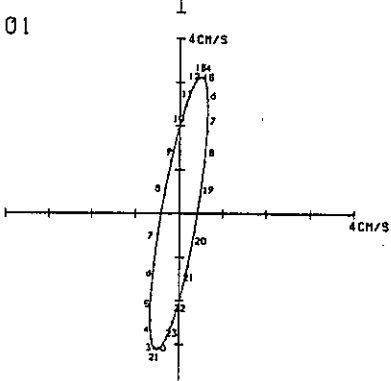
TROPIC



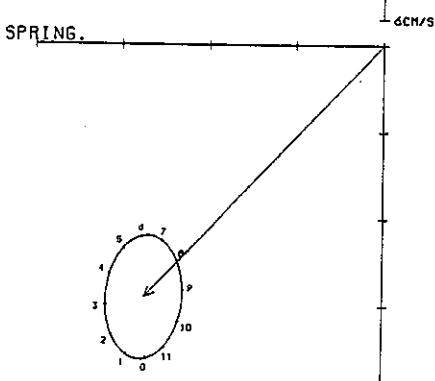
K1



O1



SPRING

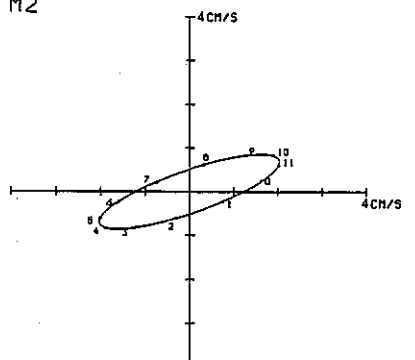


0-HOUR CORRESPOND TO CULMINATION HOUR OF IMAGINARY HEAVENLY BODY AT OBSERVATION STATION

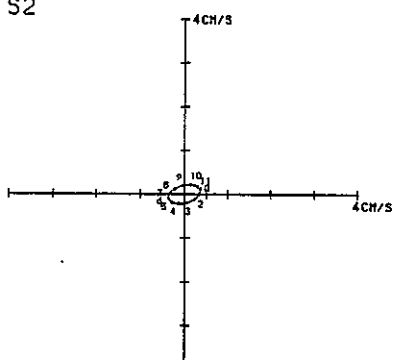
0-HOUR OF HODOGRAPH CORRESPOND TO CULMINATION HOUR OF THE MOON AT HITACHI

DATE : 1982 / 6 / 16

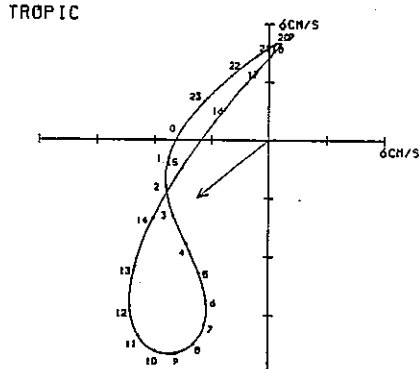
M2



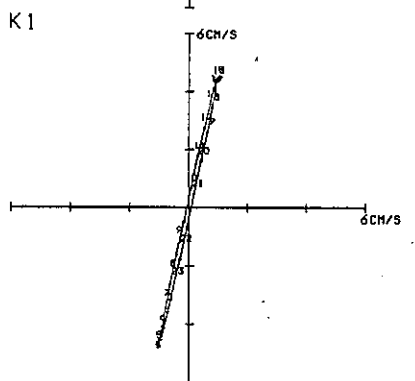
S2



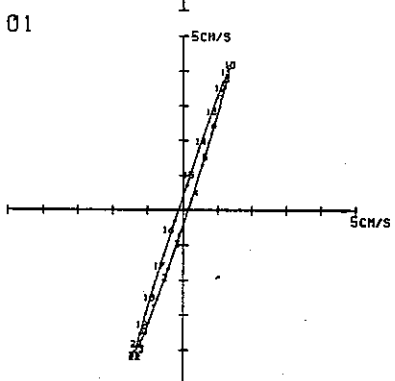
TROPIC



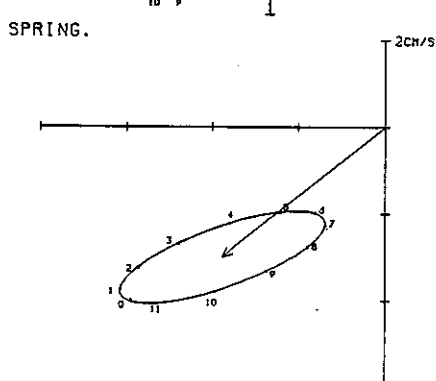
K1



O1



SPRING

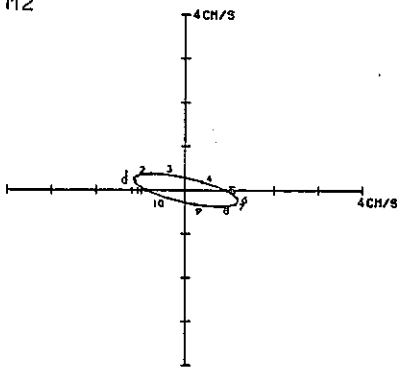


0-HOUR CORRESPOND TO CULMINATION HOUR OF IMAGINARY HEAVENLY BODY AT OBSERVATION STATION

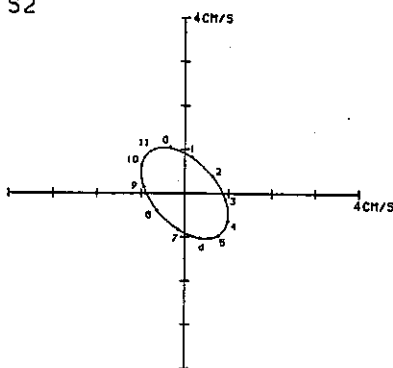
0-HOUR OF HODOGRAPH CORRESPOND TO CULMINATION HOUR OF THE MOON AT HITACHI

DATE : 1982 / 8 / 21

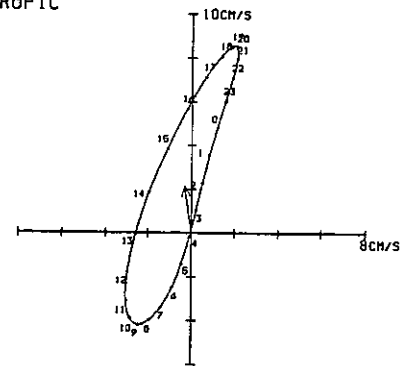
M2



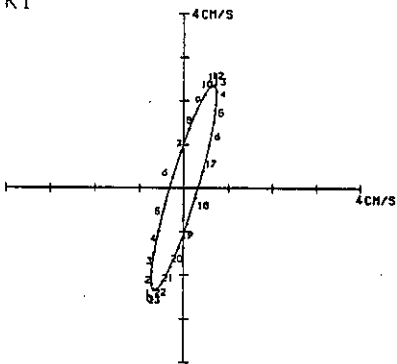
S2



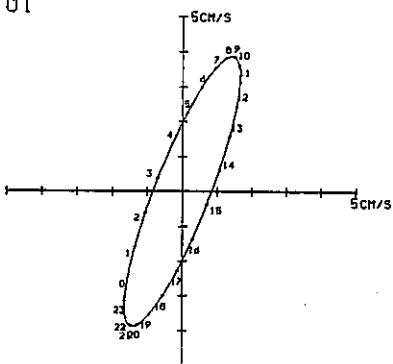
TROPIC



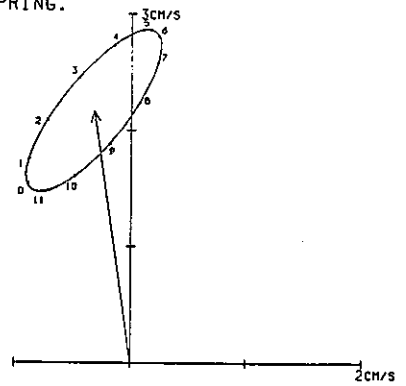
K1



O1



SPRING.

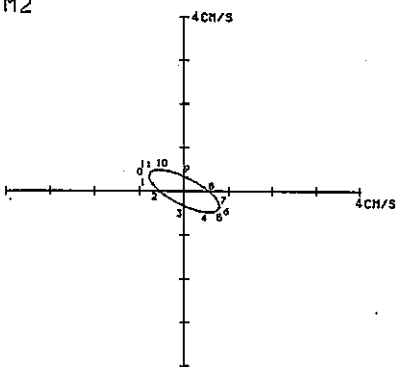


0-HOUR CORRESPOND TO CULMINATION HOUR OF IMAGINARY HEAVENLY BODY AT OBSERVATION STATION

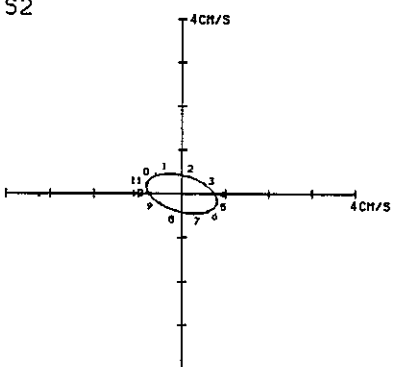
0-HOUR OF HODOGRAPH CORRESPOND TO CULMINATION HOUR OF THE MOON AT HITACHI

DATE : 1982/11/21

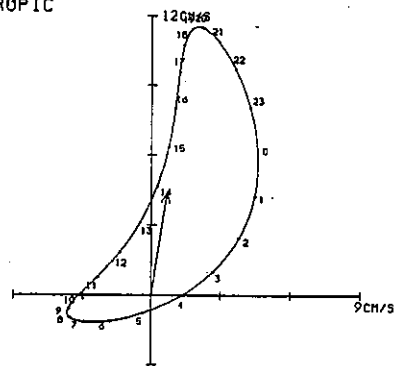
M2



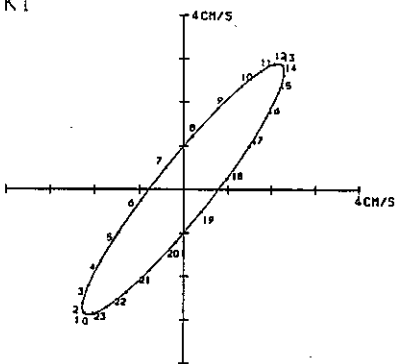
S2



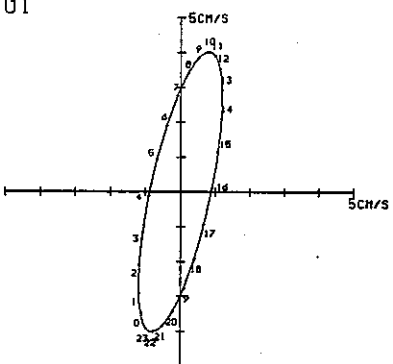
TROPIC



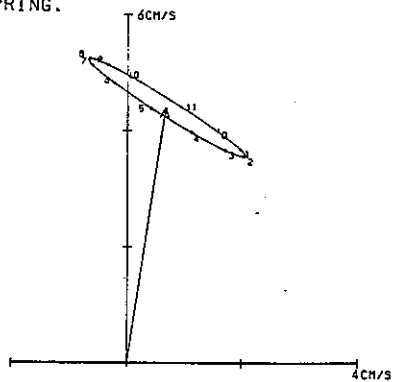
K1



O1



SPRING.

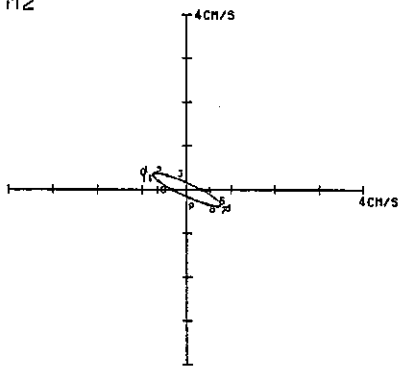


0-HOUR CORRESPOND TO CULMINATION HOUR OF IMAGINARY HEAVENLY BODY AT OBSERVATION STATION

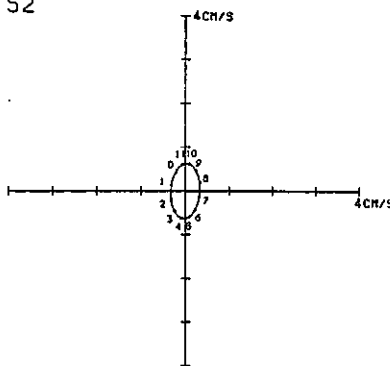
0-HOUR OF HODOGRAPH CORRESPOND TO CULMINATION HOUR OF THE MOON AT HITACHI

DATE : 1982/12/16

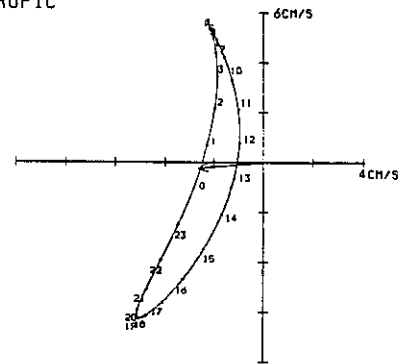
M2



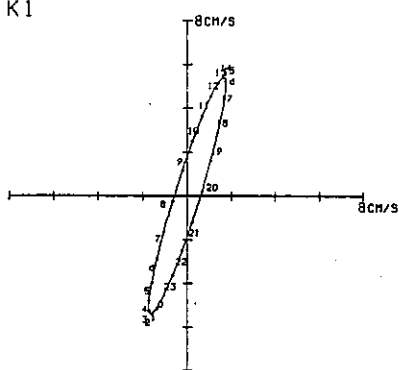
S2



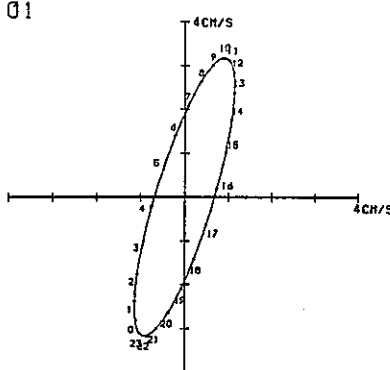
TROPIC



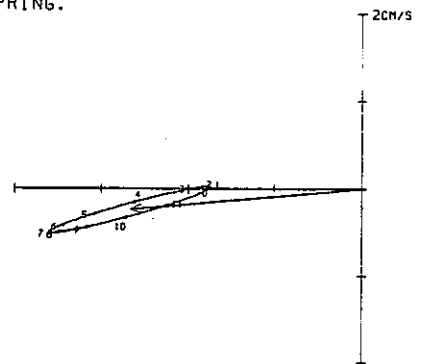
K1



O1



SPRING.

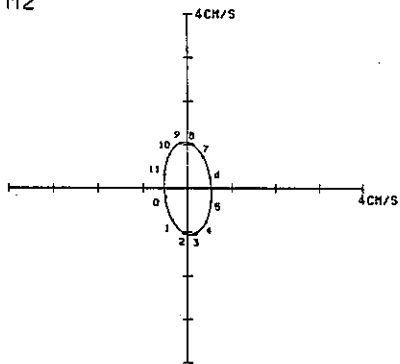


0-HOUR CORRESPOND TO CULMINATION HOUR OF IMAGINARY HEAVENLY BODY AT OBSERVATION STATION

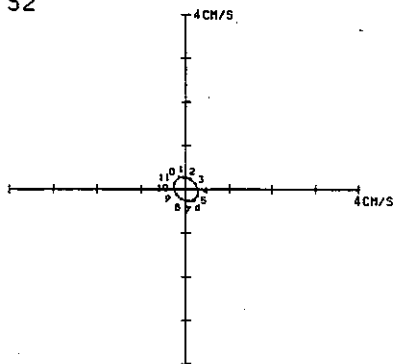
0-HOUR OF HODGRAPH CORRESPOND TO CULMINATION HOUR OF THE MOON AT HITACHI

DATE : 1984 / 1 / 23

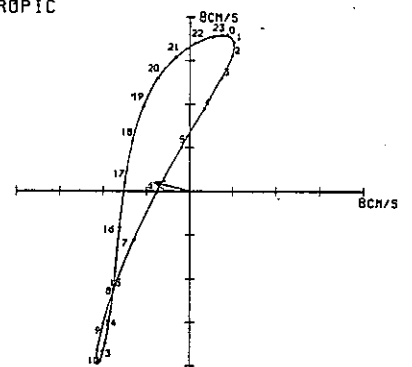
M2



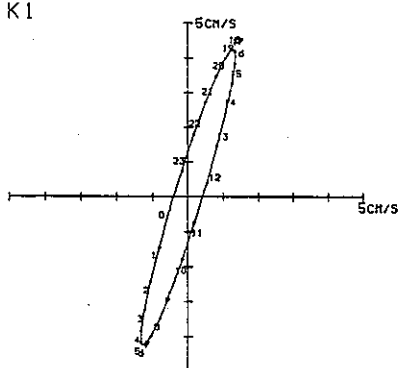
S2



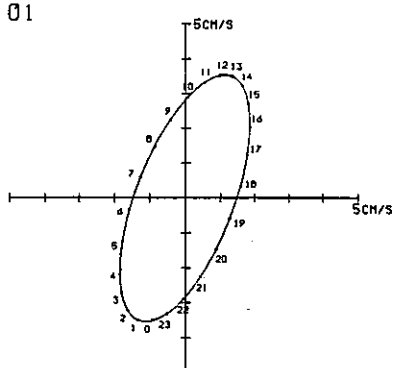
TROPIC



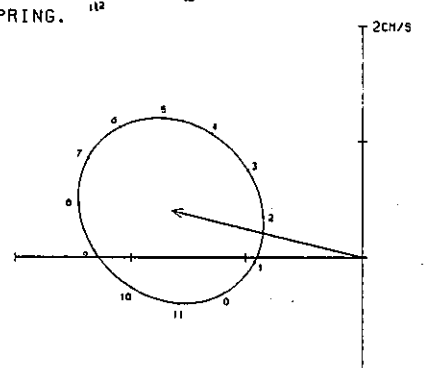
K1



O1



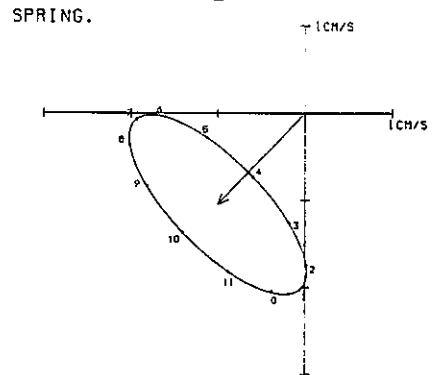
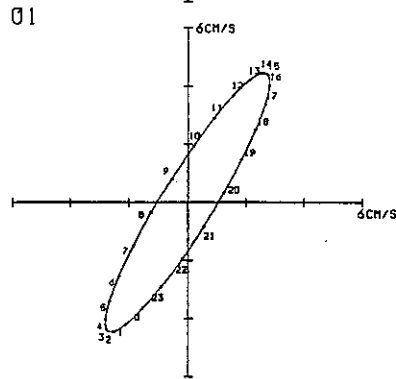
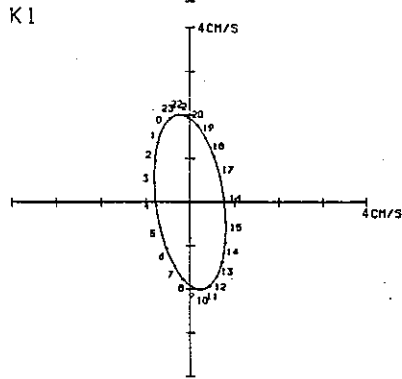
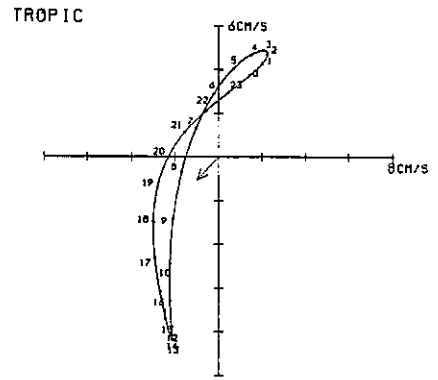
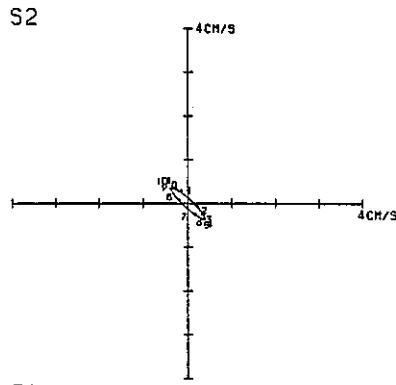
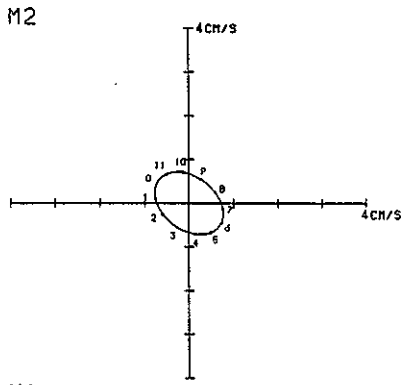
SPRING.



0-HOUR CORRESPOND TO CULMINATION HOUR OF IMAGINARY HEAVENLY BODY AT OBSERVATION STATION

0-HOUR OF HODGRAPH CORRESPOND TO CULMINATION HOUR OF THE MOON AT HITACHI

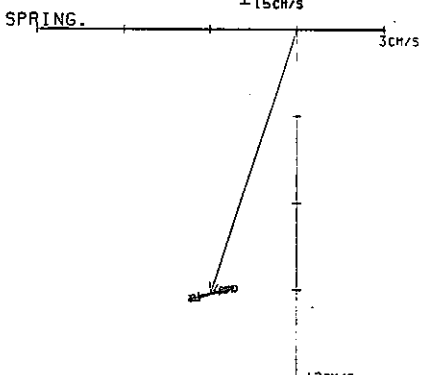
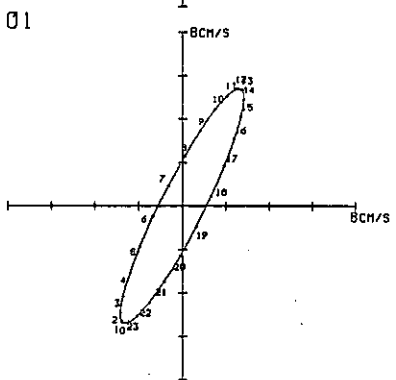
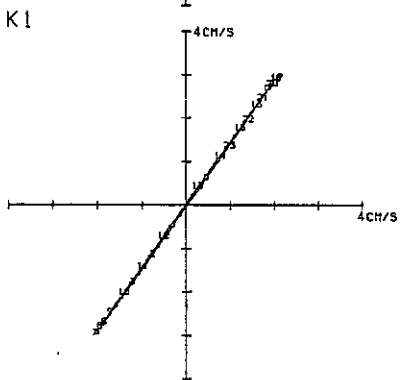
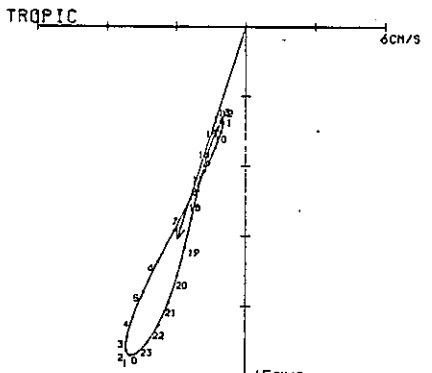
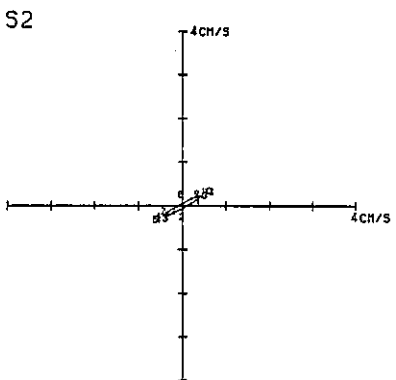
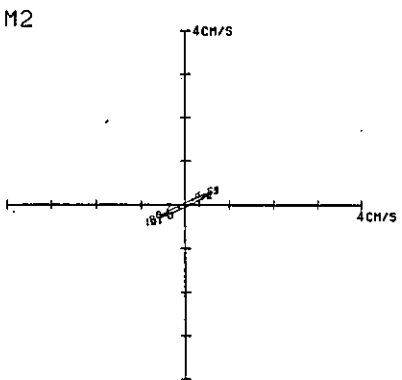
DATE : 1984 / 2 / 15



0-HOUR CORRESPOND TO CULMINATION HOUR OF IMAGINARY HEAVENLY BODY AT OBSERVATION STATION

0-HOUR OF HODGRAPH CORRESPOND TO CULMINATION HOUR OF THE MOON AT HITACHI

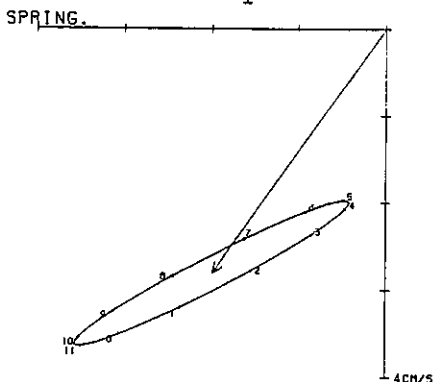
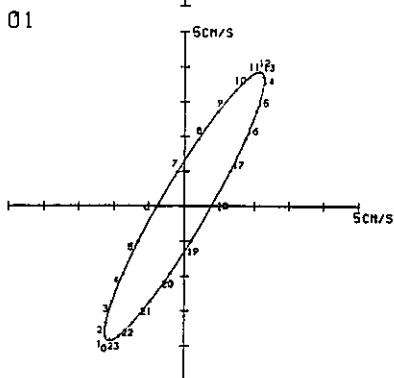
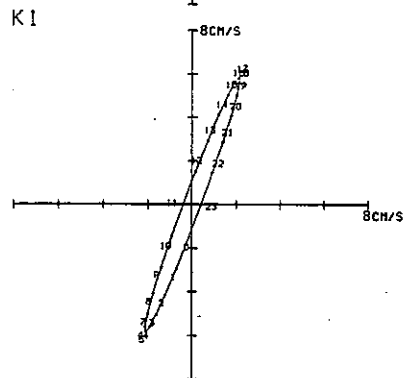
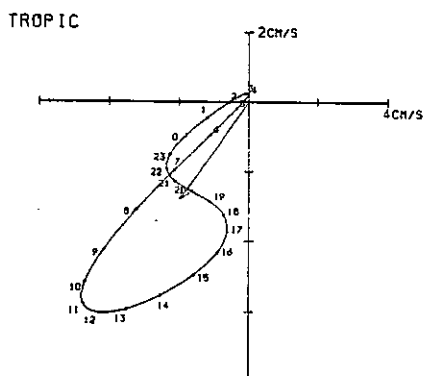
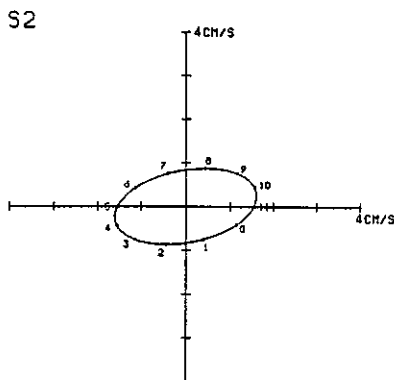
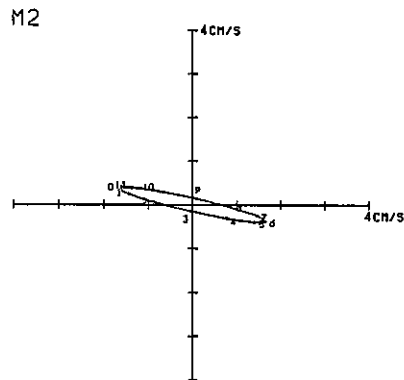
DATE : 1984 / 3 / 16



0-HOUR CORRESPOND TO CULMINATION HOUR OF IMAGINARY HEAVENLY BODY AT OBSERVATION STATION

0-HOUR OF HODGRAPH CORRESPOND TO CULMINATION HOUR OF THE MOON AT HITACHI

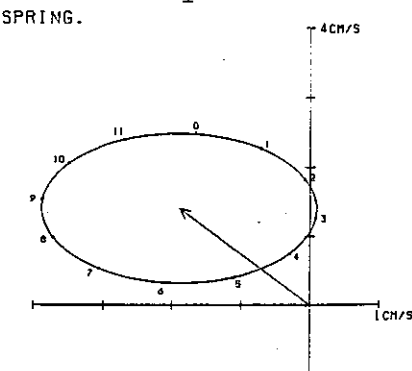
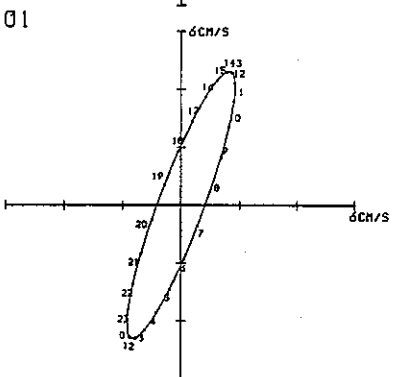
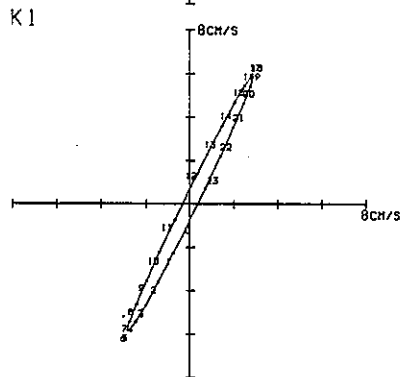
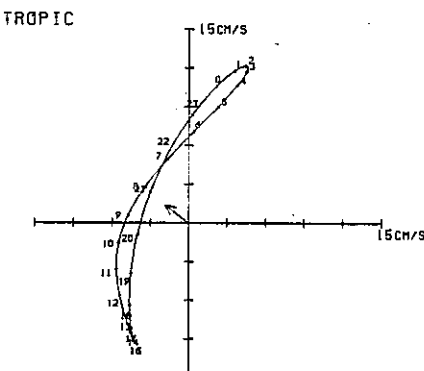
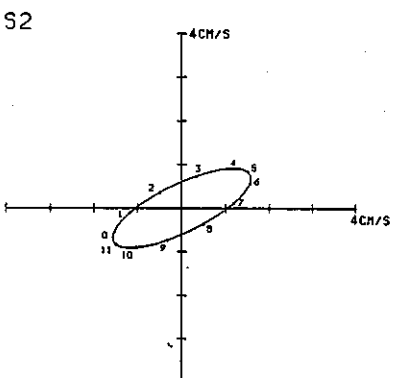
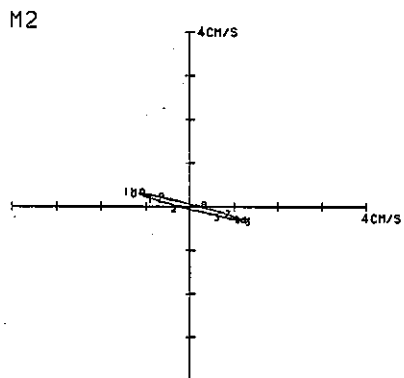
DATE : 1984 / 4 / 16



0-HOUR CORRESPOND TO CULMINATION HOUR OF IMAGINARY HEAVENLY BODY AT OBSERVATION STATION

0-HOUR OF HODOGRAPH CORRESPOND TO CULMINATION HOUR OF THE MOON AT HITACHI

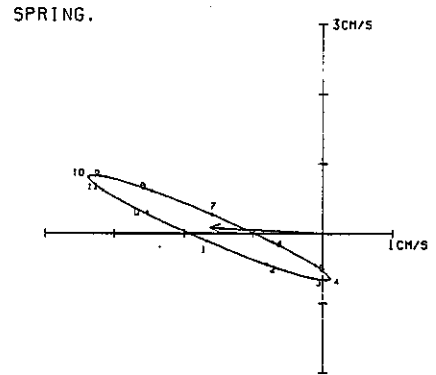
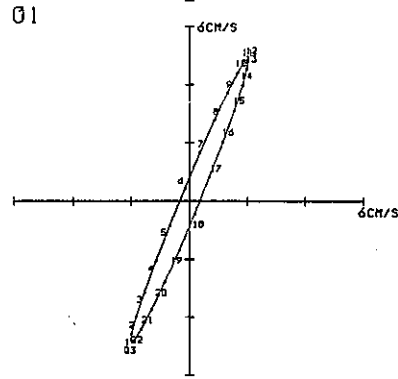
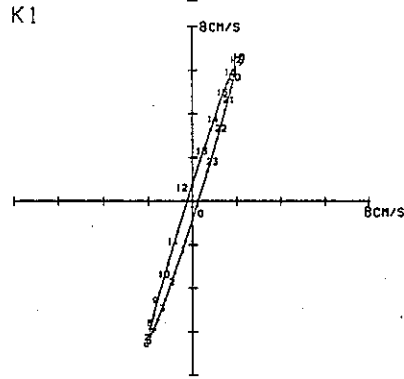
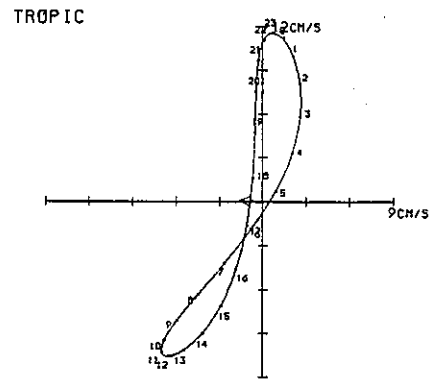
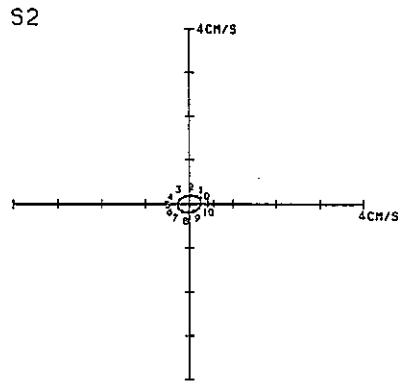
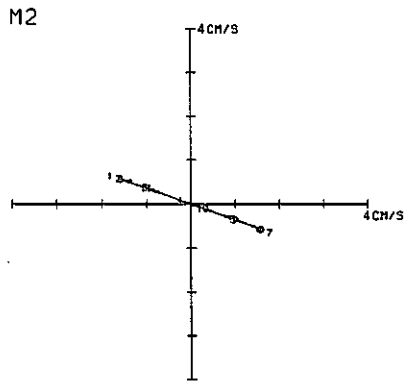
DATE : 1984 / 5 / 16



0-HOUR CORRESPOND TO CULMINATION HOUR OF IMAGINARY HEAVENLY BODY AT OBSERVATION STATION

0-HOUR OF HODOGRAPH CORRESPOND TO CULMINATION HOUR OF THE MOON AT HITACHI

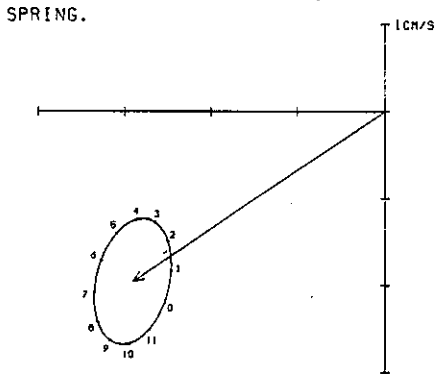
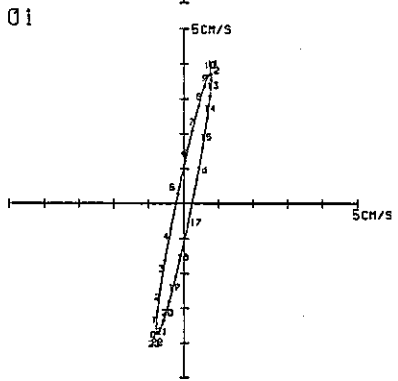
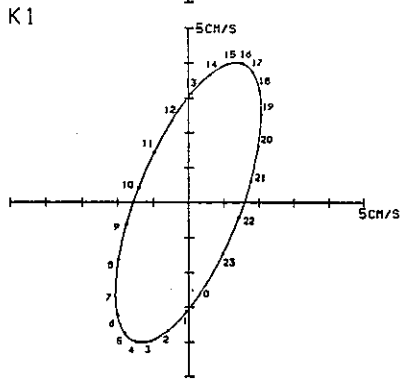
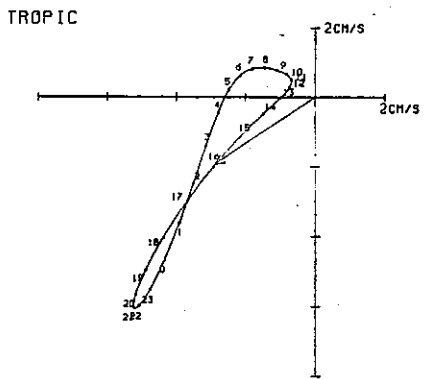
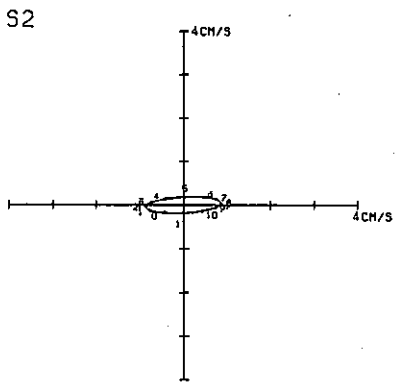
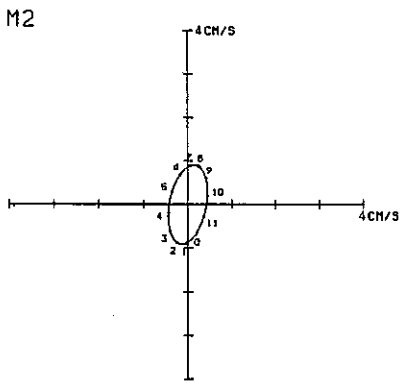
DATE : 1984 / 6 / 15



0-HOUR CORRESPOND TO CULMINATION HOUR OF IMAGINARY HEAVENLY BODY AT OBSERVATION STATION

0-HOUR OF HODOGRAPH CORRESPOND TO CULMINATION HOUR OF THE NOON AT HITACHI

DATE : 1984 / 7 / 16

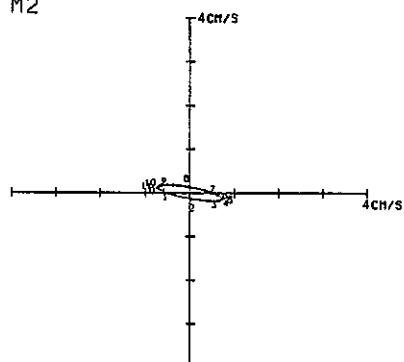


0-HOUR CORRESPOND TO CULMINATION HOUR OF IMAGINARY HEAVENLY BODY AT OBSERVATION STATION

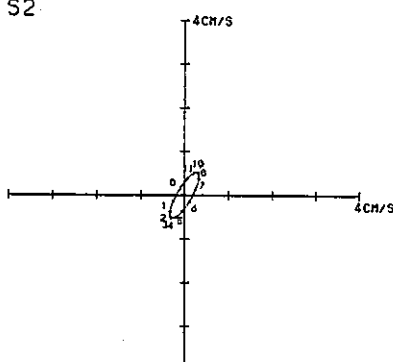
0-HOUR OF HODOGRAPH CORRESPOND TO CULMINATION HOUR OF THE NOON AT HITACHI

DATE : 1984 / 8 / 16

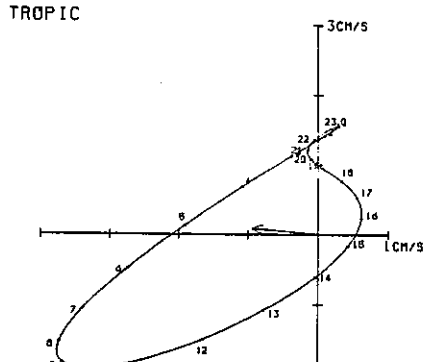
M2



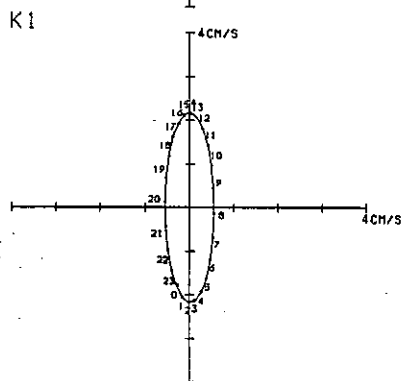
S2



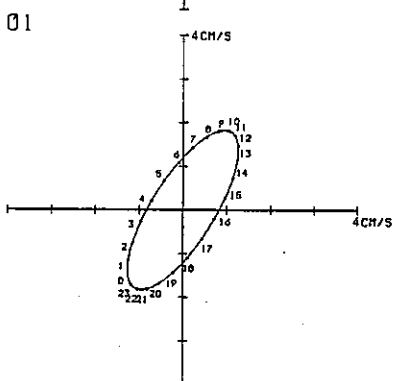
TROPIC



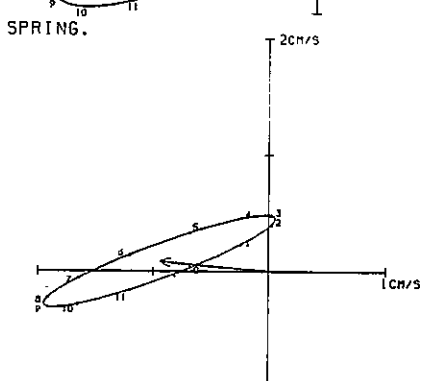
K1



O1



SPRING.

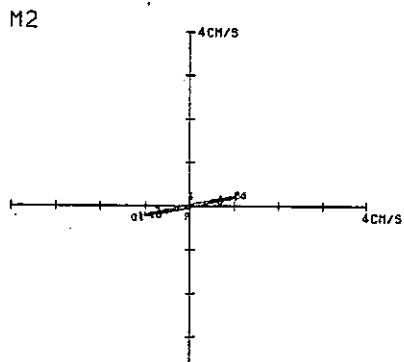


0-HOUR CORRESPOND TO CULMINATION HOUR OF IMAGINARY HEAVENLY BODY AT OBSERVATION STATION

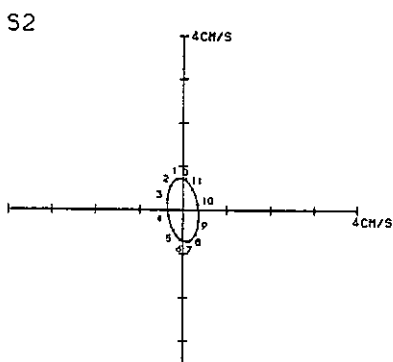
0-HOUR OF HODGRAPH CORRESPOND TO CULMINATION HOUR OF THE MOON AT HITACHI

DATE : 1984 / 9 / 16

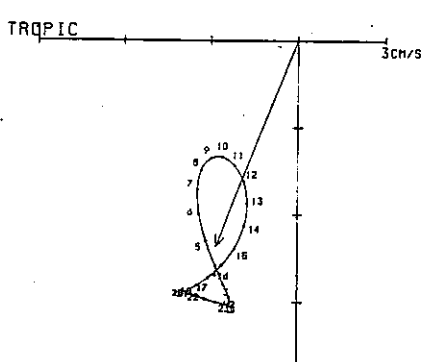
M2



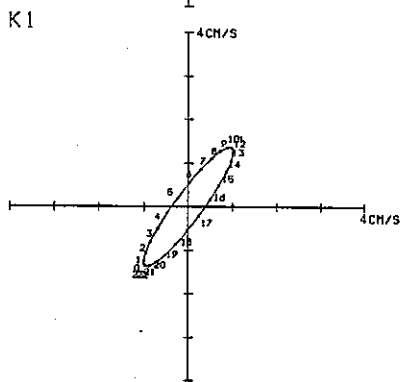
S2



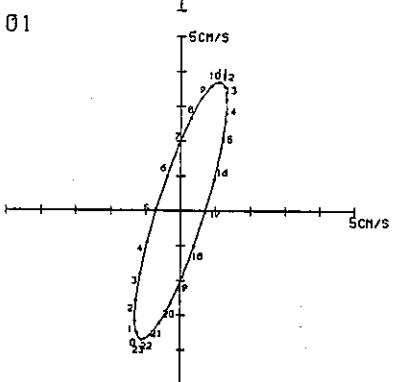
TROPIC



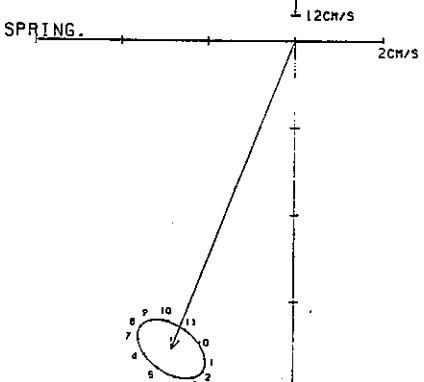
K1



O1



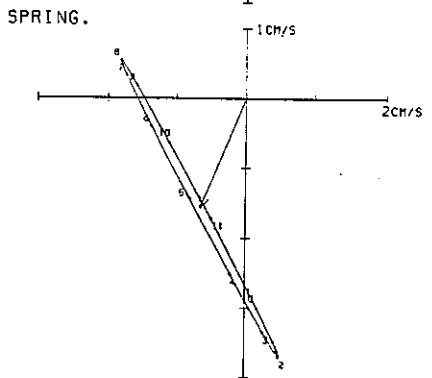
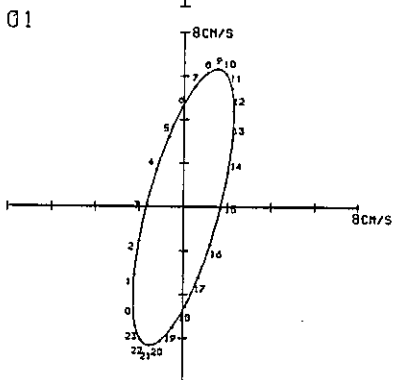
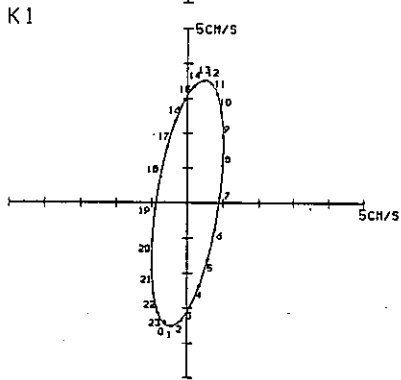
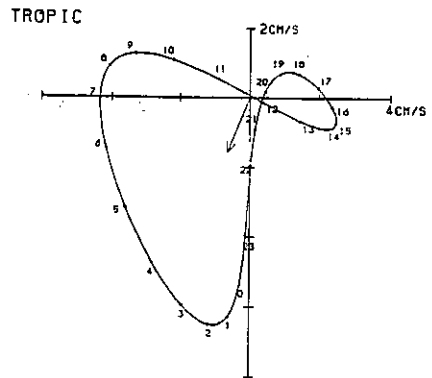
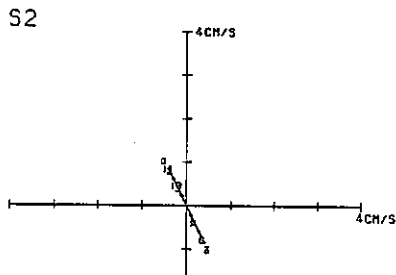
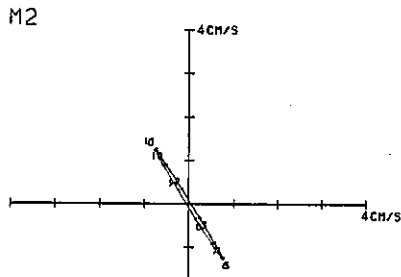
SPRING.



0-HOUR CORRESPOND TO CULMINATION HOUR OF IMAGINARY HEAVENLY BODY AT OBSERVATION STATION

0-HOUR OF HODGRAPH CORRESPOND TO CULMINATION HOUR OF THE MOON AT HITACHI

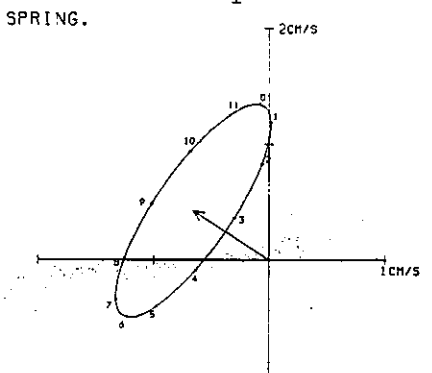
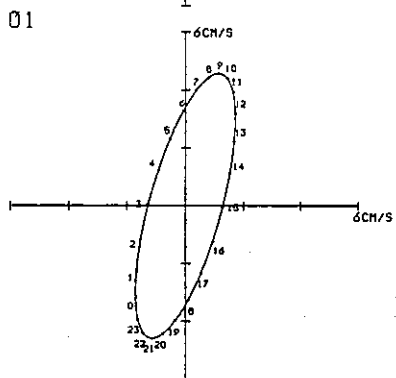
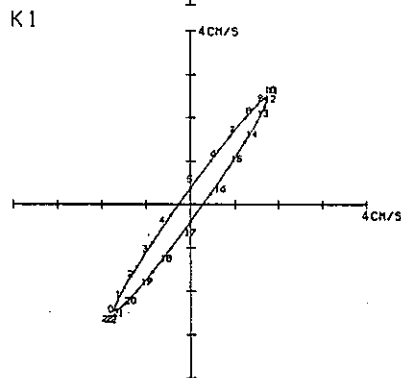
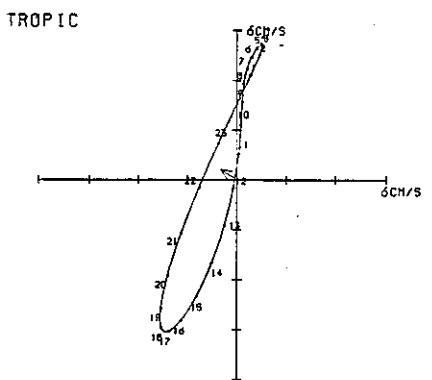
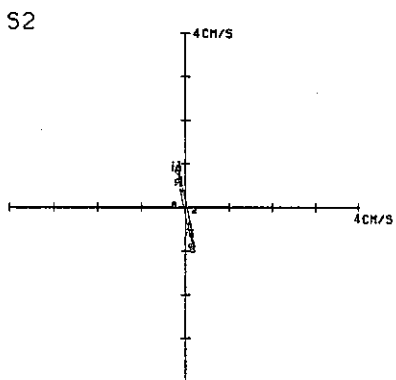
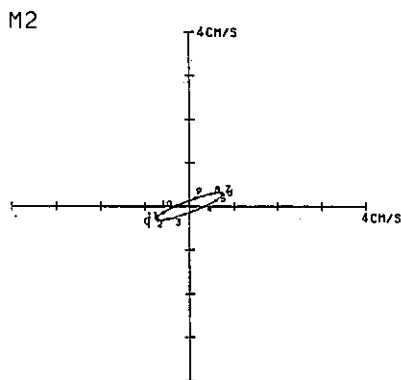
DATE : 1984 / 10 / 8



0-HOUR CORRESPOND TO CULMINATION HOUR OF IMAGINARY HEAVENLY BODY AT OBSERVATION STATION

0-HOUR OF HODOGRAPH CORRESPOND TO CULMINATION HOUR OF THE MOON AT HITACHI

DATE : 1984/10/25

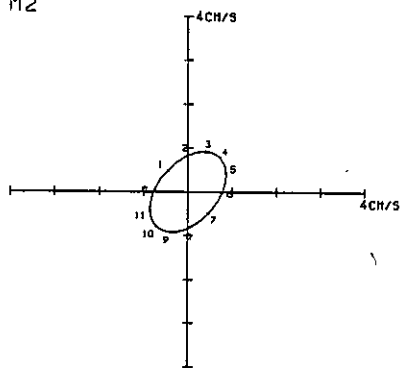


0-HOUR CORRESPOND TO CULMINATION HOUR OF IMAGINARY HEAVENLY BODY AT OBSERVATION STATION

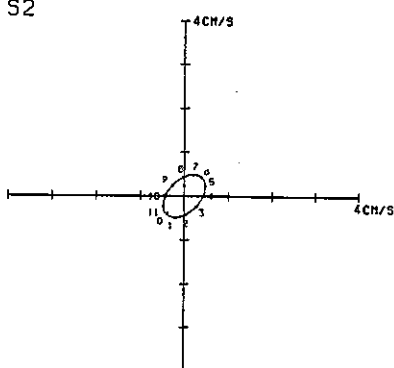
0-HOUR OF HODOGRAPH CORRESPOND TO CULMINATION HOUR OF THE MOON AT HITACHI

DATE : 1984/11/16

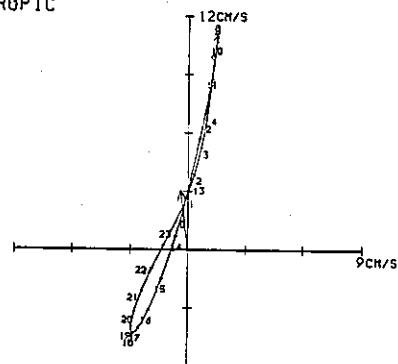
M2



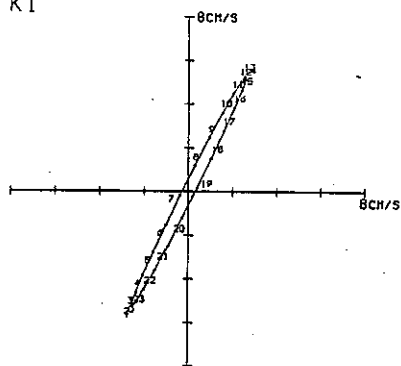
S2



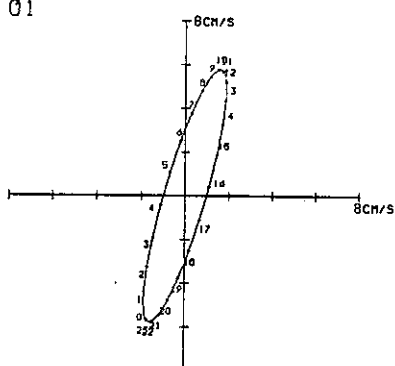
TROPIC



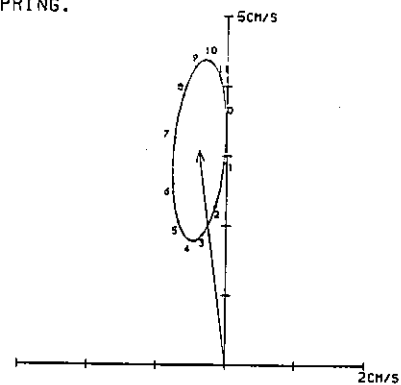
K1



O1



SPRING.

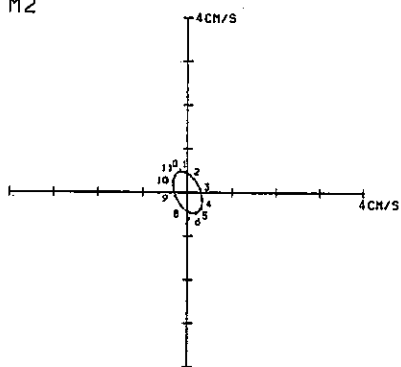


0-HOUR CORRESPOND TO CULMINATION HOUR OF IMAGINARY HEAVENLY BODY AT OBSERVATION STATION

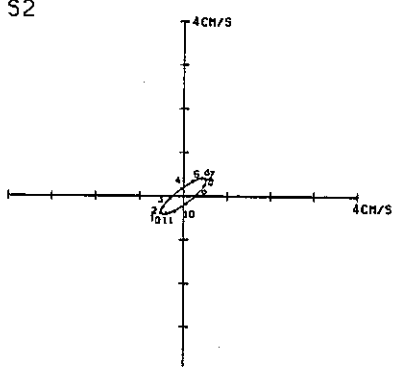
0-HOUR OF HODGRAPH CORRESPOND TO CULMINATION HOUR OF THE MOON AT HITACHI

DATE : 1984/12/15

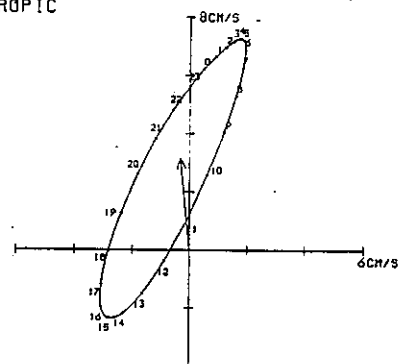
M2



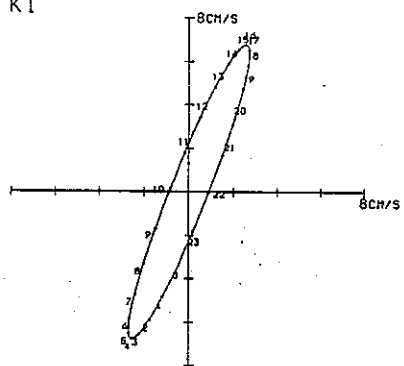
S2



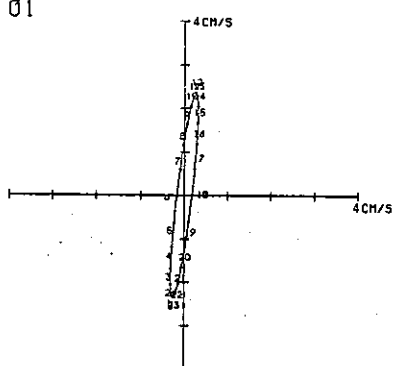
TROPIC



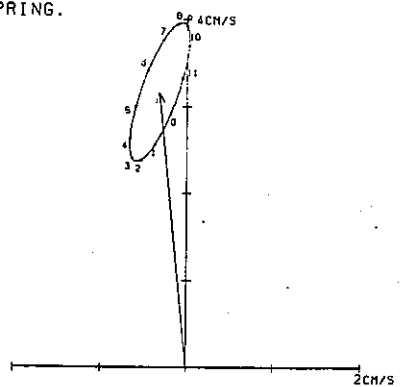
K1



O1



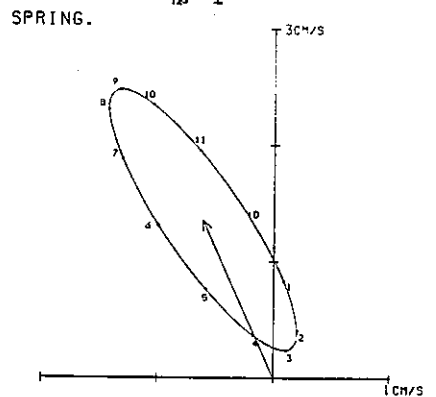
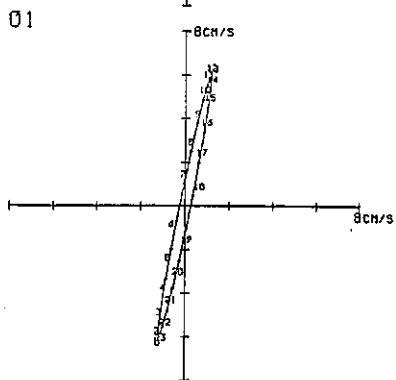
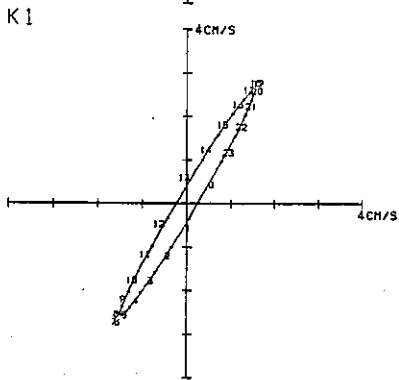
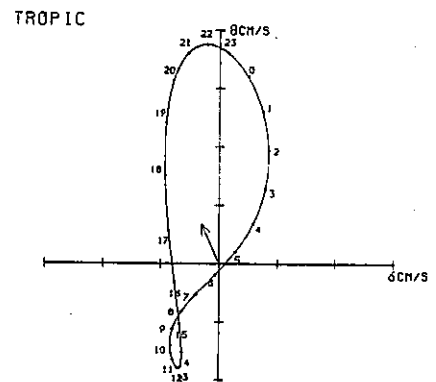
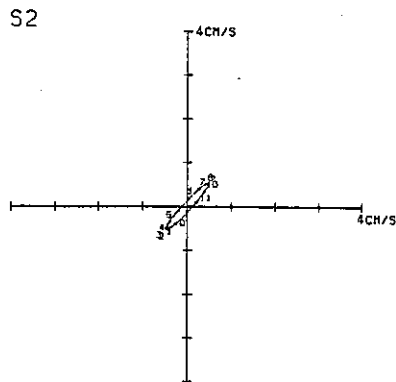
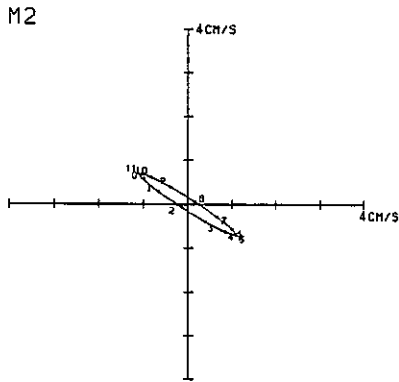
SPRING.



0-HOUR CORRESPOND TO CULMINATION HOUR OF IMAGINARY HEAVENLY BODY AT OBSERVATION STATION

0-HOUR OF HODGRAPH CORRESPOND TO CULMINATION HOUR OF THE MOON AT HITACHI

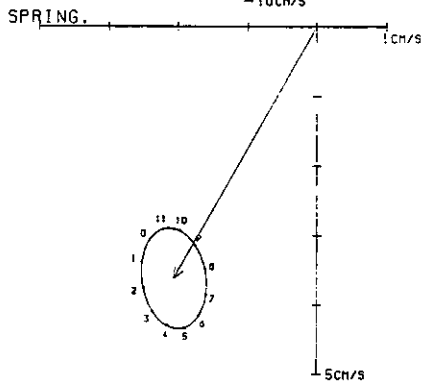
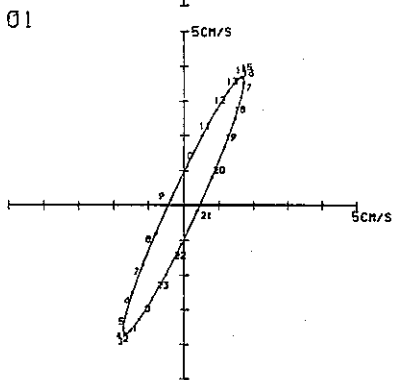
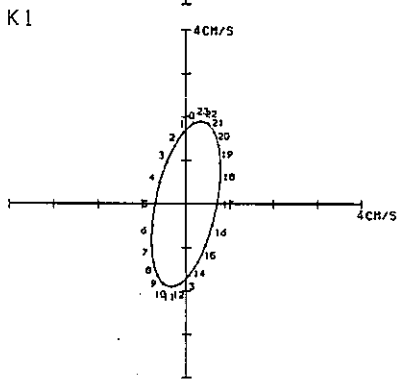
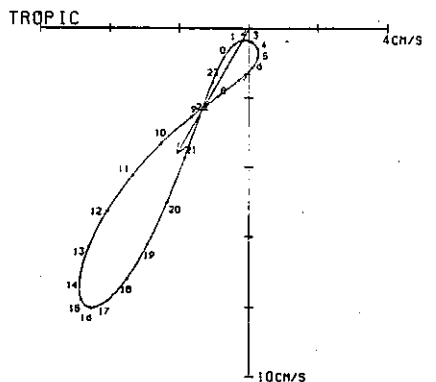
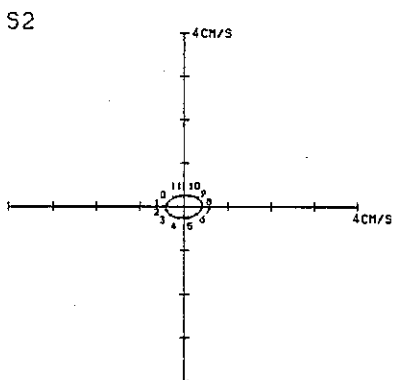
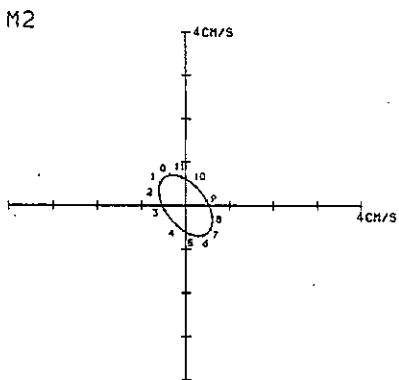
DATE : 1985/1/16



0-HOUR CORRESPOND TO CULMINATION HOUR OF IMAGINARY HEAVENLY BODY AT OBSERVATION STATION

0-HOUR OF HODGRAPH CORRESPOND TO CULMINATION HOUR OF THE MOON AT HITACHI

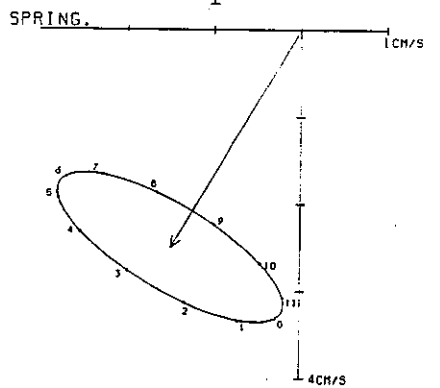
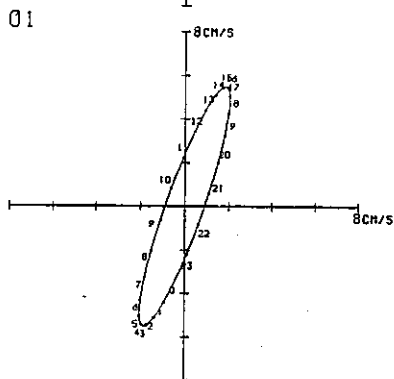
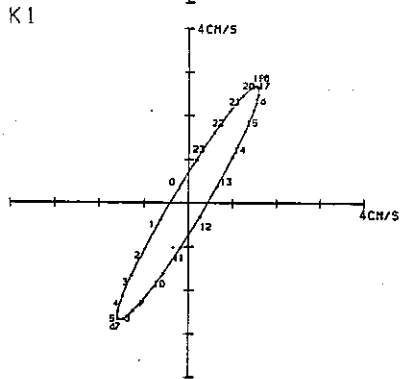
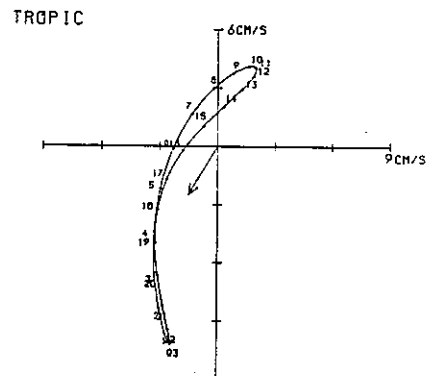
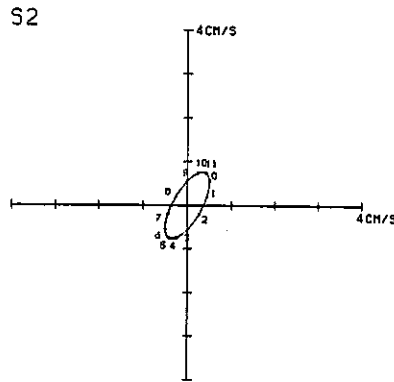
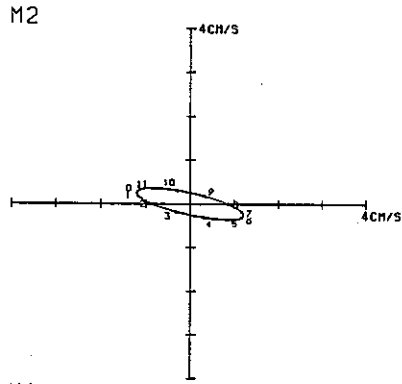
DATE : 1985 / 2 / 15



0-HOUR CORRESPOND TO CULMINATION HOUR OF IMAGINARY HEAVENLY BODY AT OBSERVATION STATION

0-HOUR OF HODGRAPH CORRESPOND TO CULMINATION HOUR OF THE MOON AT HITACHI

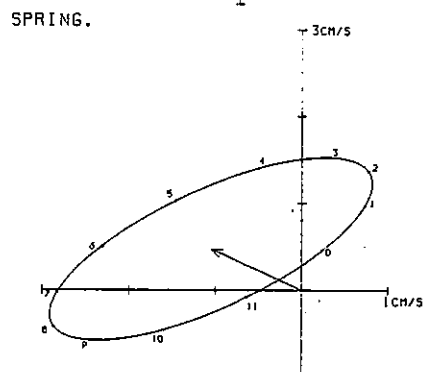
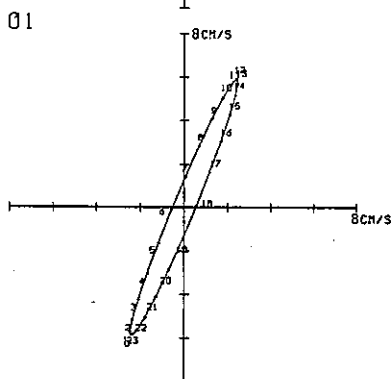
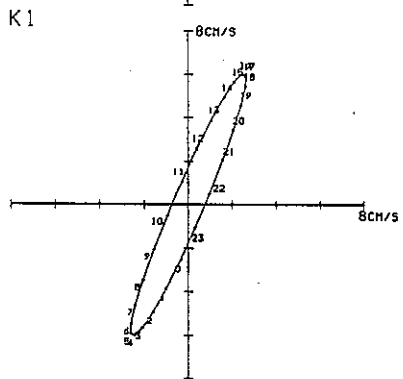
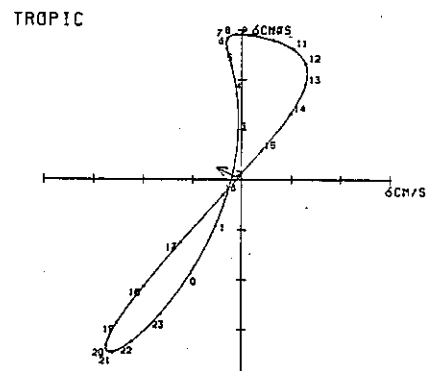
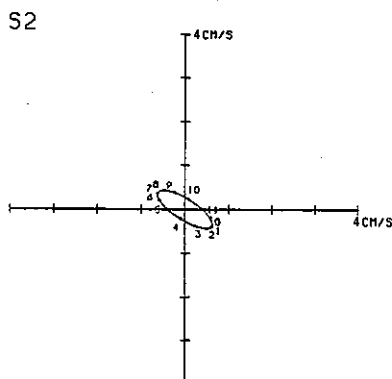
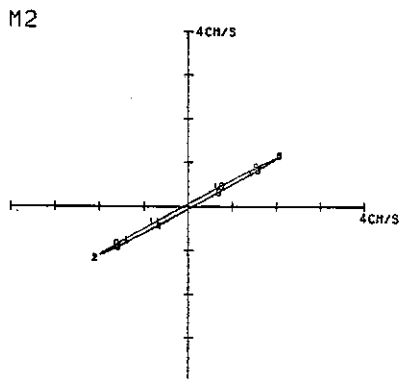
DATE : 1985 / 3 / 16



0-HOUR CORRESPOND TO CULMINATION HOUR OF IMAGINARY HEAVENLY BODY AT OBSERVATION STATION

0-HOUR OF HODGRAPH CORRESPOND TO CULMINATION HOUR OF THE MOON AT HITACHI

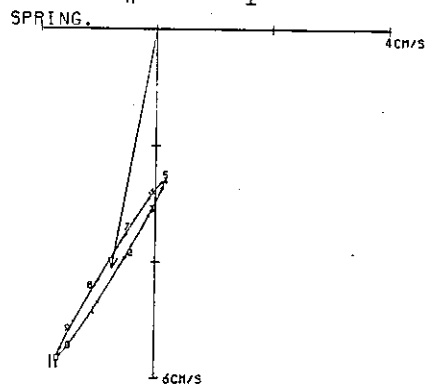
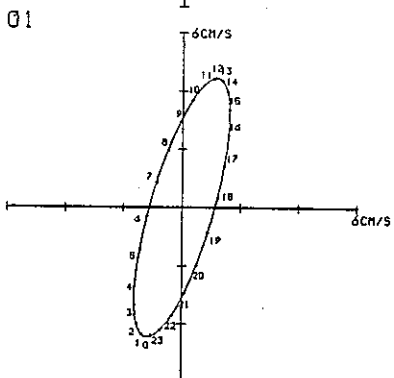
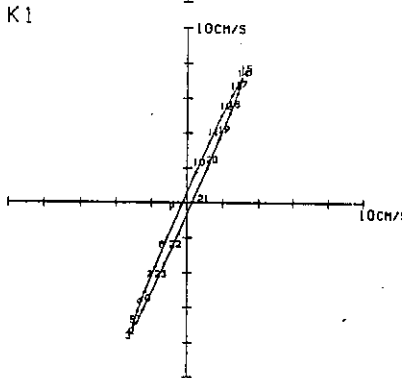
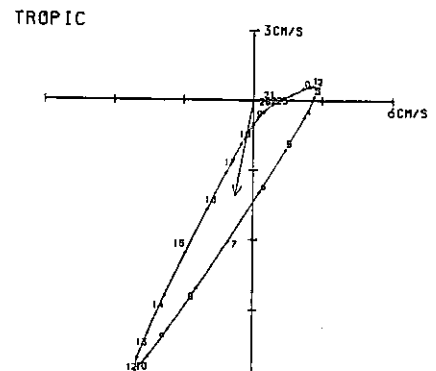
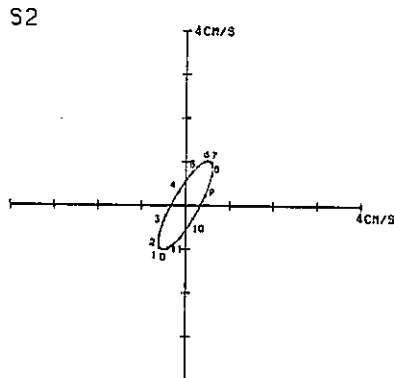
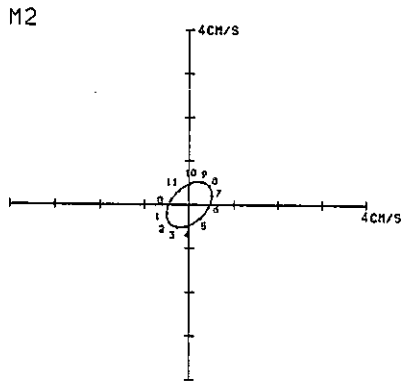
DATE : 1985 / 4 / 16



0-HOUR CORRESPOND TO CULMINATION HOUR OF IMAGINARY HEAVENLY BODY AT OBSERVATION STATION

0-HOUR OF HODGRAPH CORRESPOND TO CULMINATION HOUR OF THE MOON AT HITACHI

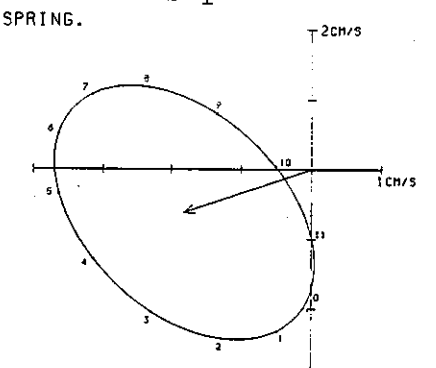
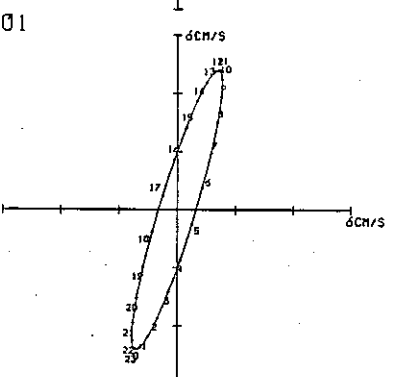
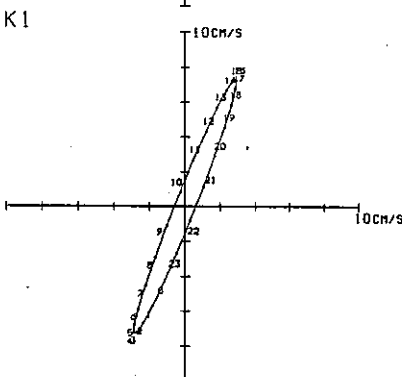
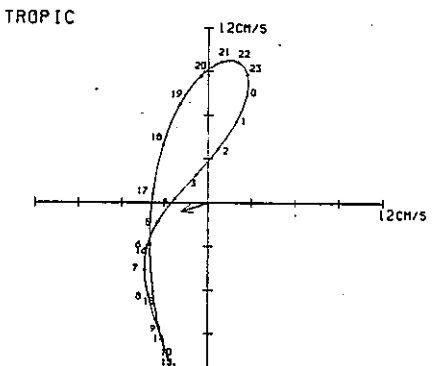
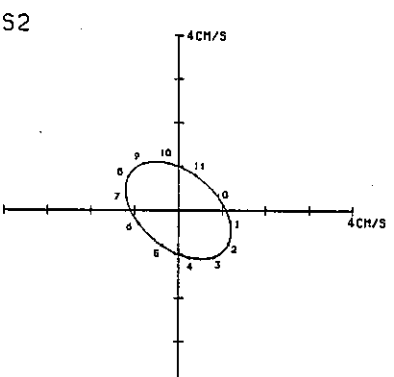
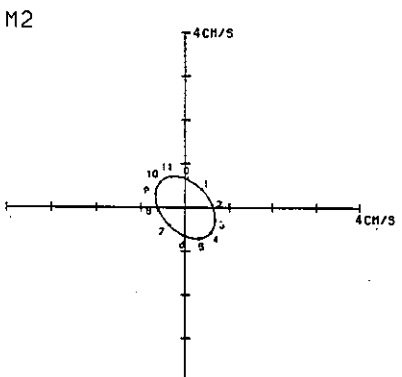
DATE : 1985 / 5 / 16



0-HOUR CORRESPOND TO CULMINATION HOUR OF IMAGINARY HEAVENLY BODY AT OBSERVATION STATION

0-HOUR OF HODGRAPH CORRESPOND TO CULMINATION HOUR OF THE MOON AT HITACHI

DATE : 1985 / 6 / 16

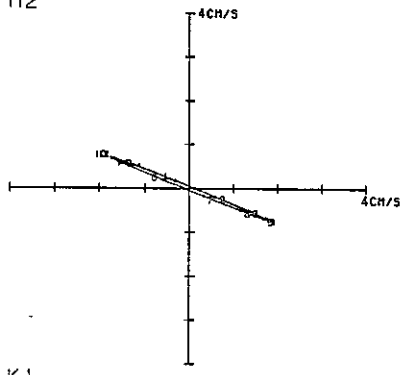


0-HOUR CORRESPOND TO CULMINATION HOUR OF IMAGINARY HEAVENLY BODY AT OBSERVATION STATION

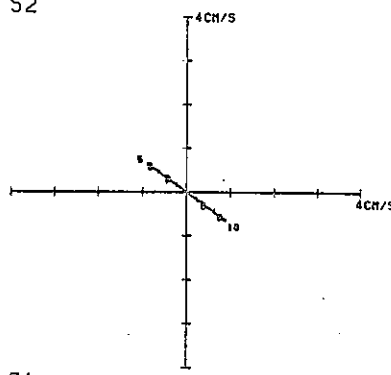
0-HOUR OF HODGRAPH CORRESPOND TO CULMINATION HOUR OF THE MOON AT HITACHI

DATE : 1985 / 7 / 16

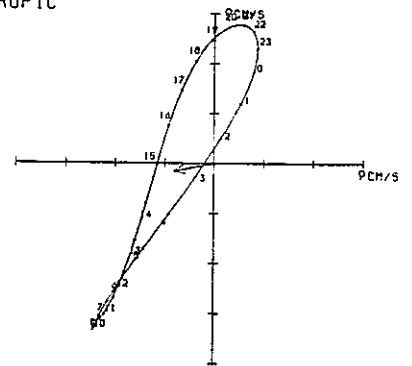
M2



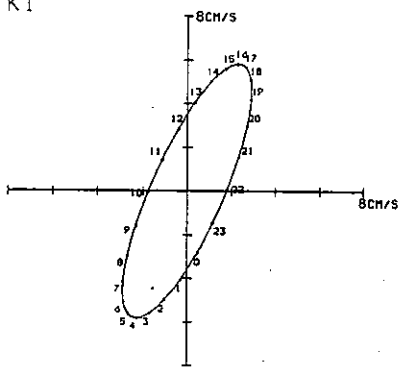
S2



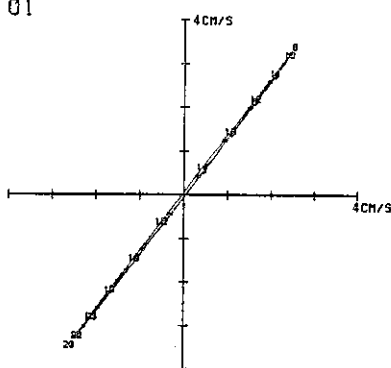
TROPIC



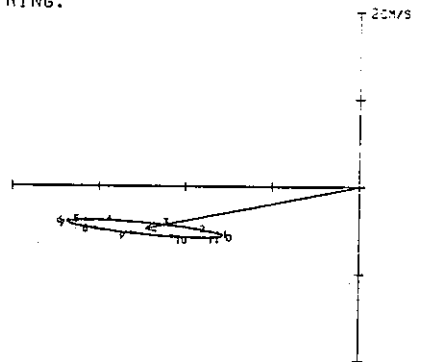
K1



O1



SPRING.

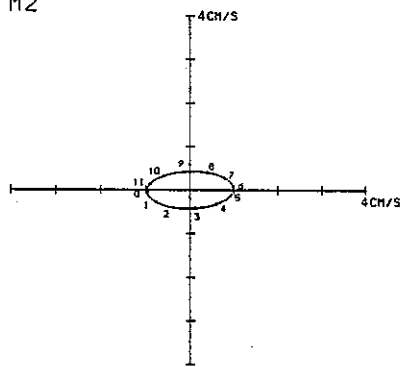


0-HOUR CORRESPOND TO CULMINATION HOUR OF IMAGINARY HEAVENLY BODY AT OBSERVATION STATION

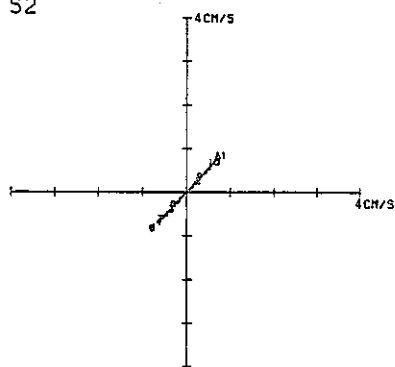
0-HOUR OF HODOGRAPH CORRESPOND TO CULMINATION HOUR OF THE MOON AT HITACHI

DATE : 1985 / 8 / 16

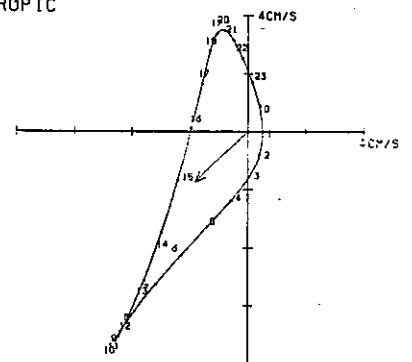
M2



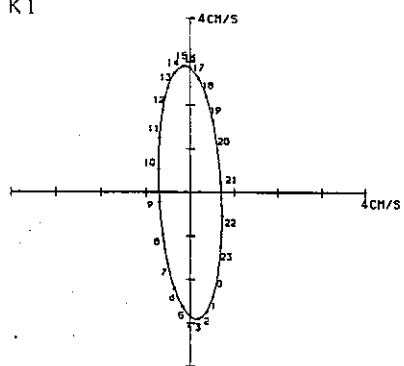
S2



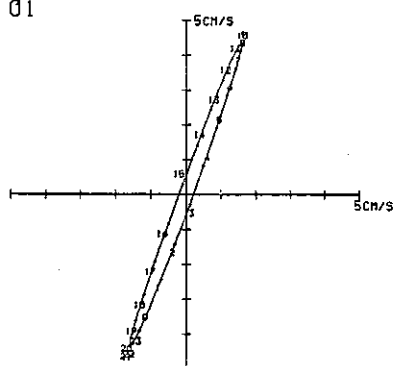
TROPIC



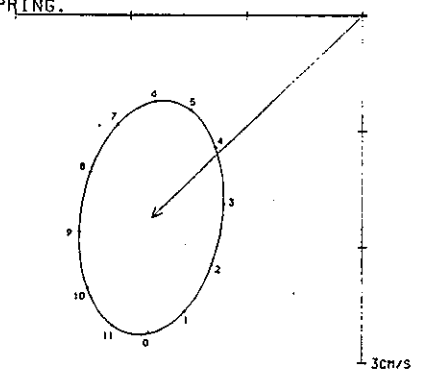
K1



O1



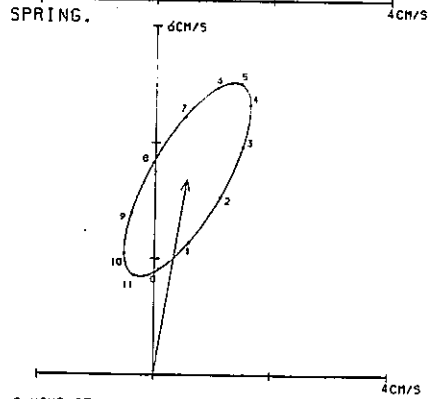
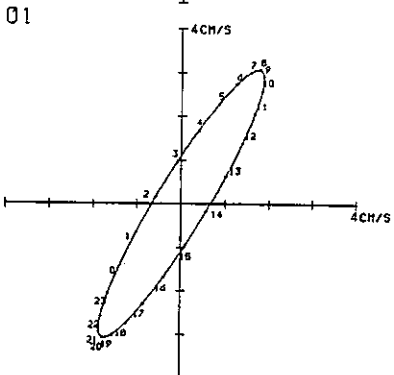
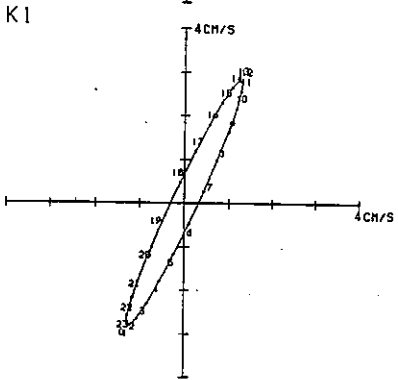
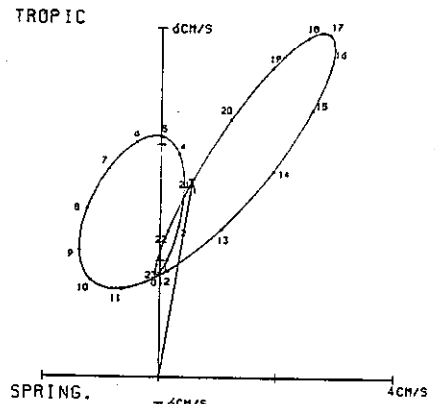
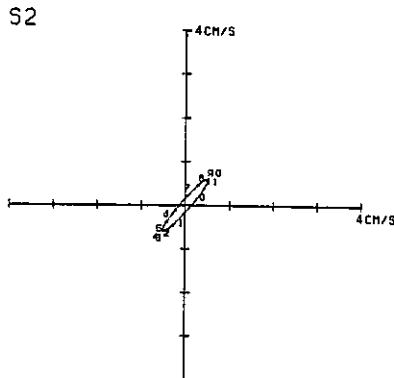
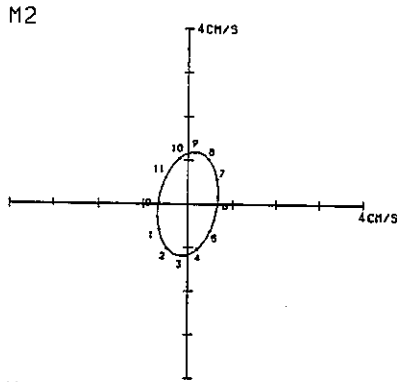
SPRING.



0-HOUR CORRESPOND TO CULMINATION HOUR OF IMAGINARY HEAVENLY BODY AT OBSERVATION STATION

0-HOUR OF HODOGRAPH CORRESPOND TO CULMINATION HOUR OF THE MOON AT HITACHI

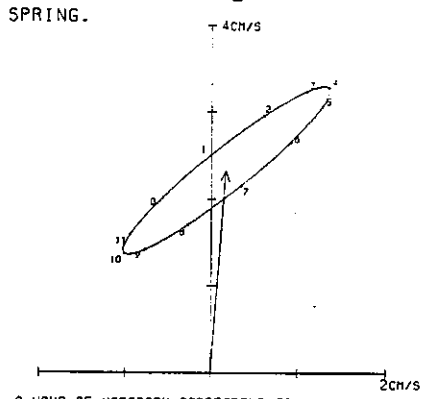
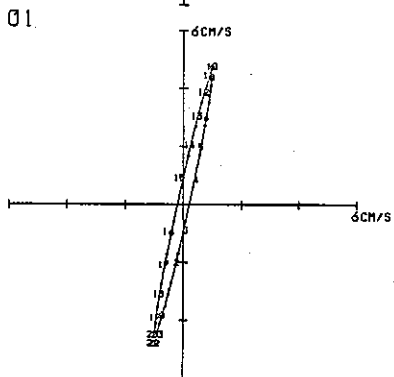
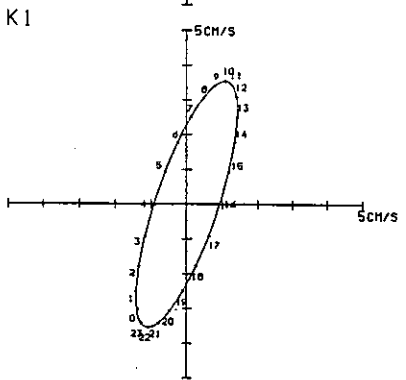
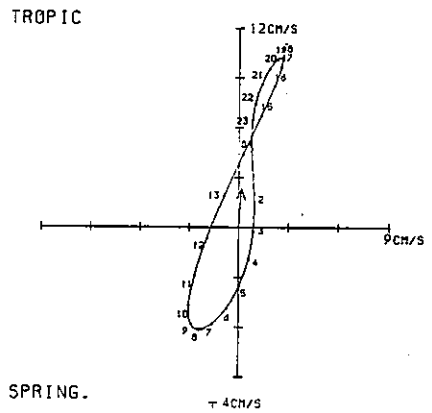
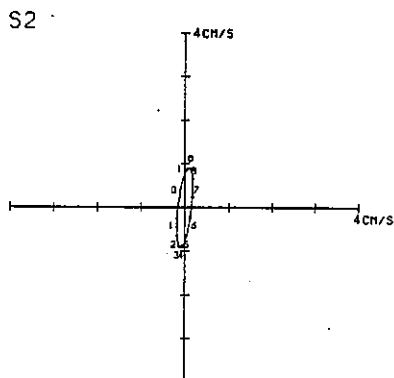
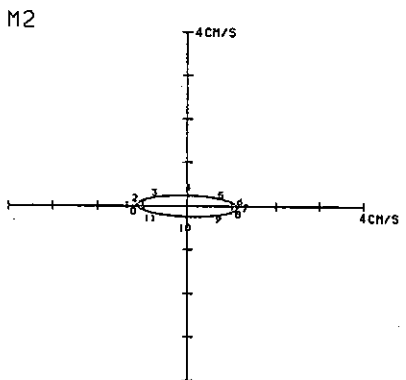
DATE : 1985 / 9 / 16



0-HOUR CORRESPOND TO CULMINATION HOUR OF IMAGINARY HEAVENLY BODY AT OBSERVATION STATION

0-HOUR OF HODGRAPH CORRESPOND TO CULMINATION HOUR OF THE MOON AT HITACHI

DATE : 1985/10/16

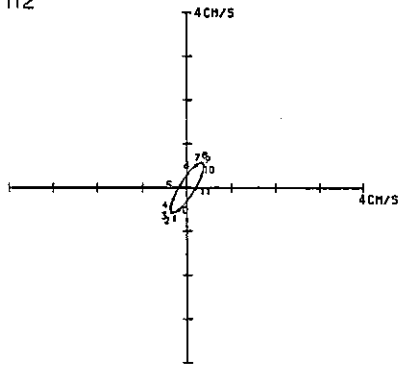


0-HOUR CORRESPOND TO CULMINATION HOUR OF IMAGINARY HEAVENLY BODY AT OBSERVATION STATION

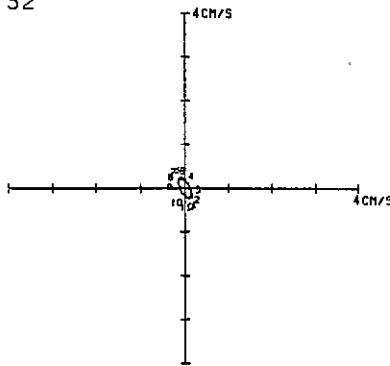
0-HOUR OF HODGRAPH CORRESPOND TO CULMINATION HOUR OF THE MOON AT HITACHI

DATE : 1985/11/16

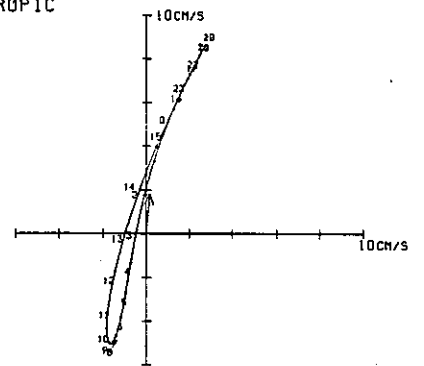
M2



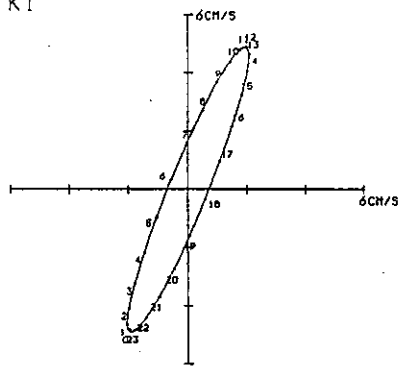
S2



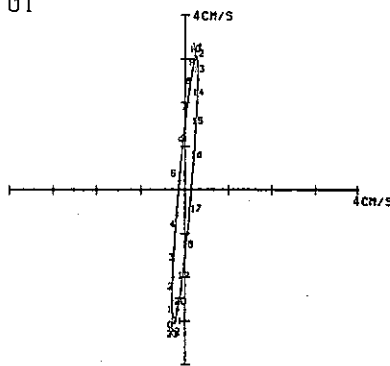
TROPIC



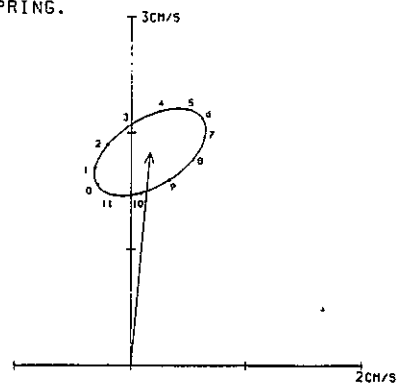
K1



O1



SPRING.

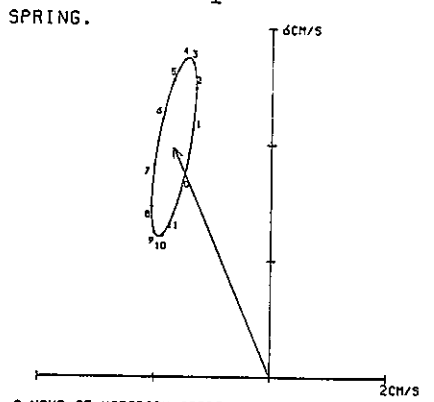
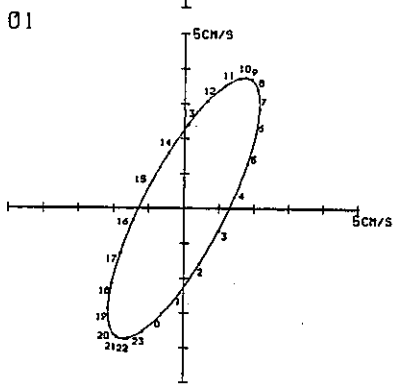
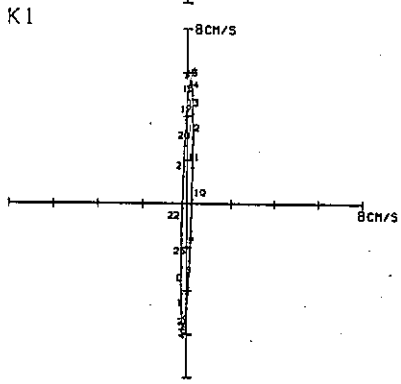
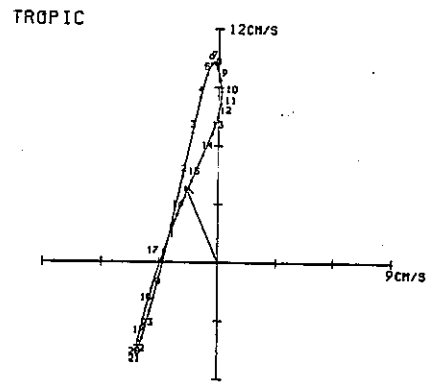
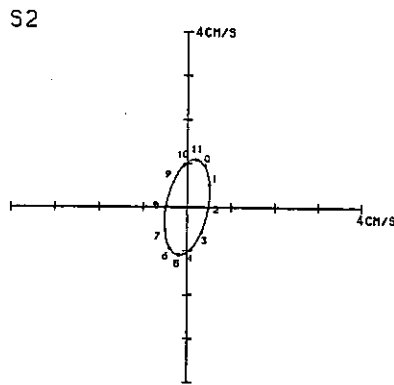
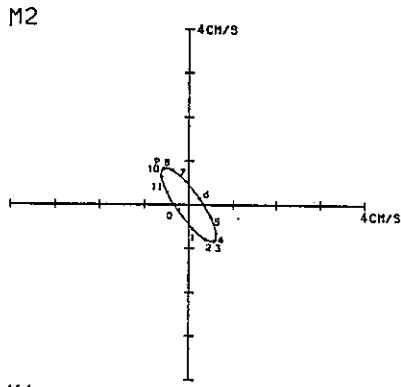


0-HOUR CORRESPOND TO CULMINATION
HOUR OF IMAGINARY HEAVENLY BODY AT
OBSERVATION STATION

0-HOUR OF HODGRAPH CORRESPOND TO
CULMINATION HOUR OF THE MOON
AT HITACHI

DATE : 1985/12/16

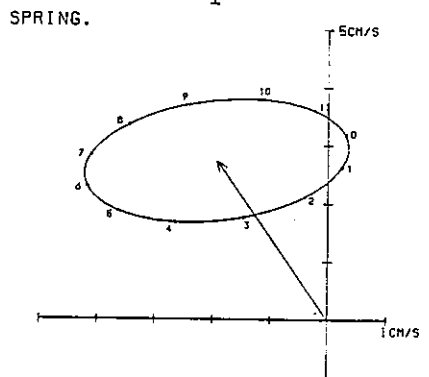
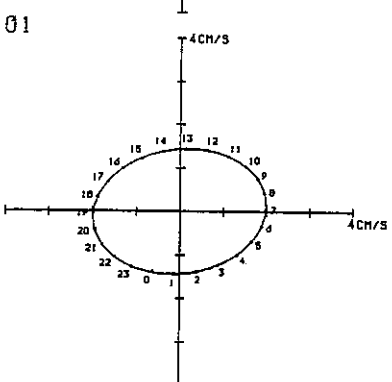
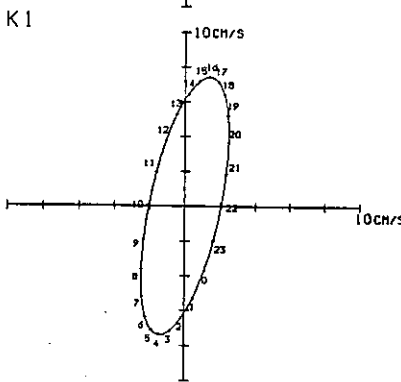
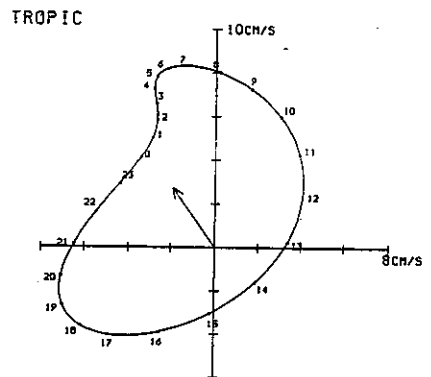
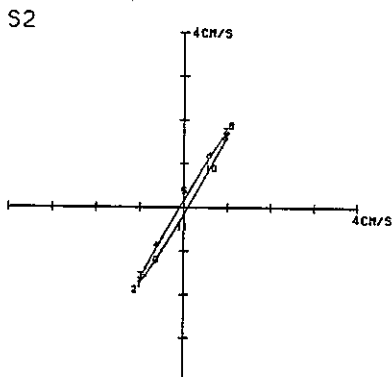
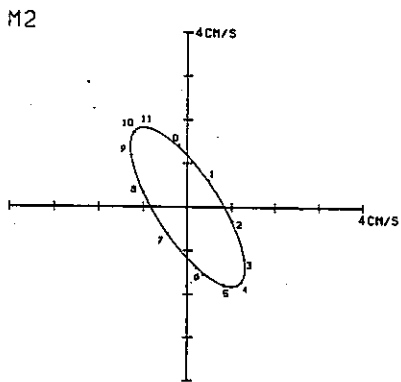
3、海面下16 m層の潮流の調和解析結果



0-HOUR CORRESPOND TO CULMINATION HOUR OF IMAGINARY HEAVENLY BODY AT OBSERVATION STATION

0-HOUR OF HODGRAPH CORRESPOND TO CULMINATION HOUR OF THE MOON AT HITACHI

DATE : 1983/1/20

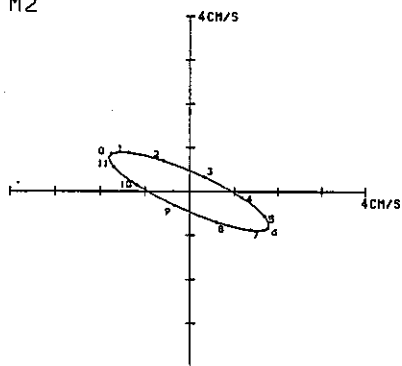


0-HOUR CORRESPOND TO CULMINATION HOUR OF IMAGINARY HEAVENLY BODY AT OBSERVATION STATION

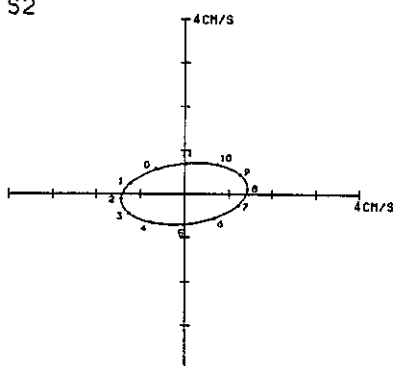
0-HOUR OF HODGRAPH CORRESPOND TO CULMINATION HOUR OF THE MOON AT HITACHI

DATE : 1983/2/18

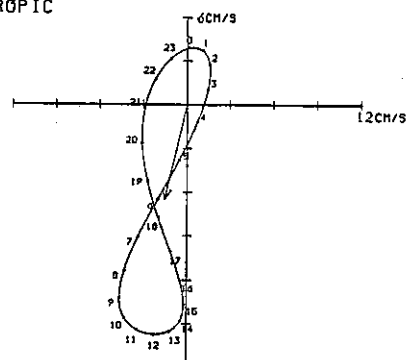
M2



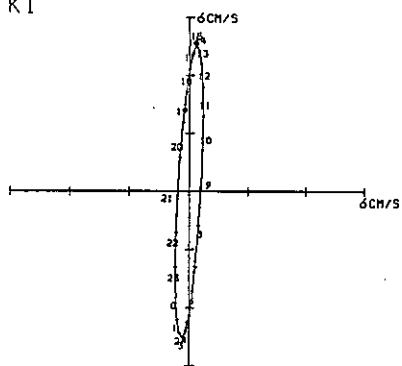
S2



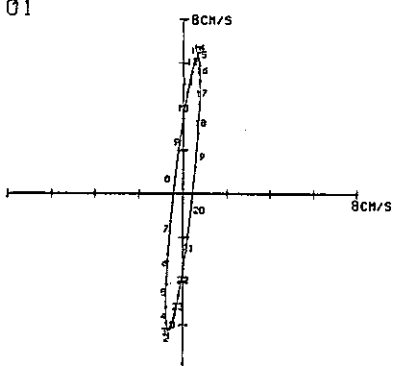
TROPIC



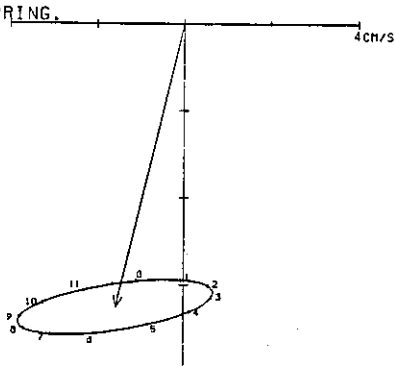
K1



O1



SPRING

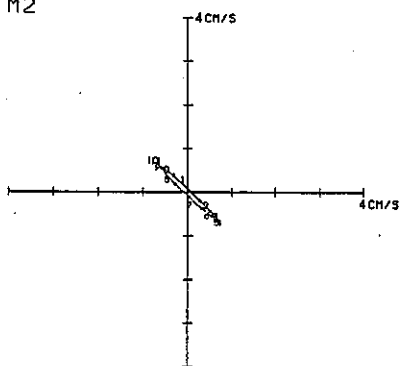


0-HOUR CORRESPOND TO CULMINATION HOUR OF IMAGINARY HEAVENLY BODY AT OBSERVATION STATION

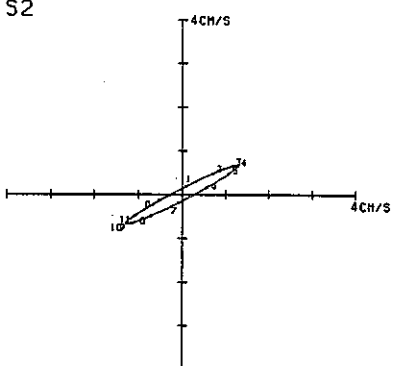
0-HOUR OF HODOGRAPH CORRESPOND TO CULMINATION HOUR OF THE MOON AT HITACHI

DATE : 1983 / 3 / 21

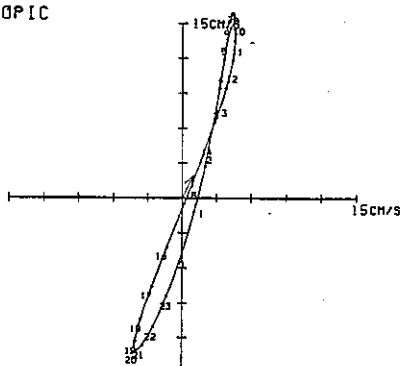
M2



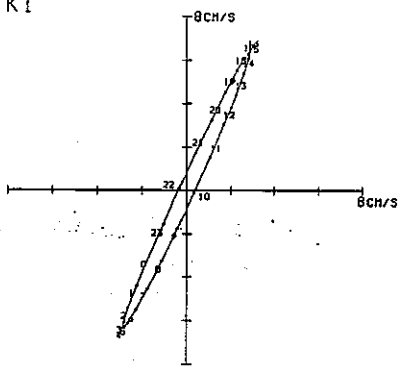
S2



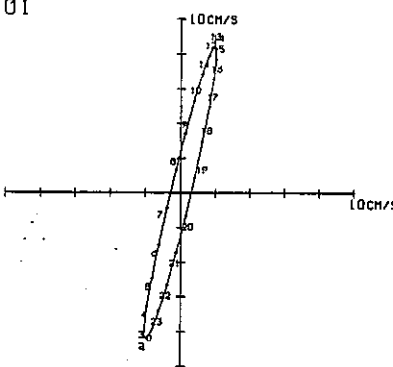
TROPIC



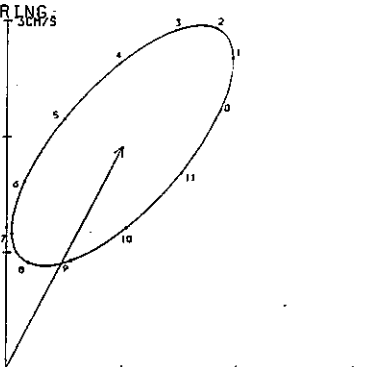
K1



O1



SPRING

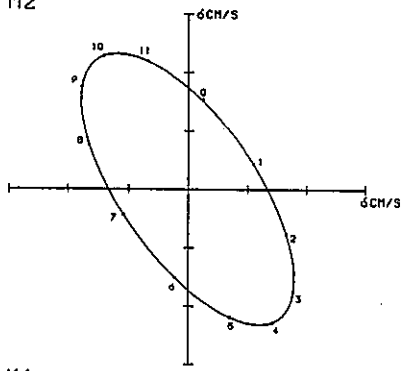


0-HOUR CORRESPOND TO CULMINATION HOUR OF IMAGINARY HEAVENLY BODY AT OBSERVATION STATION

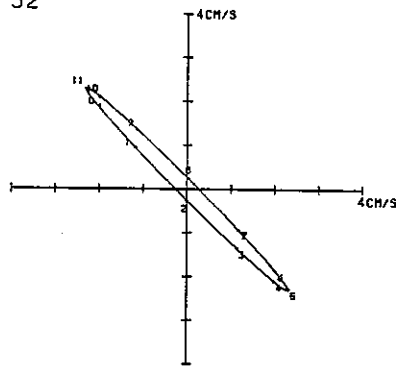
0-HOUR OF HODOGRAPH CORRESPOND TO CULMINATION HOUR OF THE MOON AT HITACHI

DATE : 1983 / 4 / 22

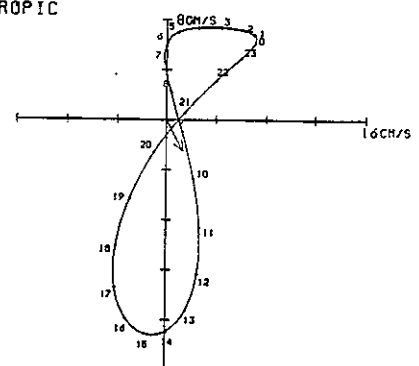
M2



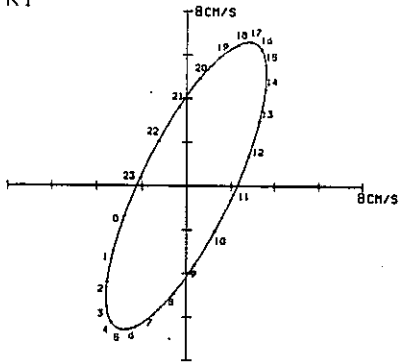
S2



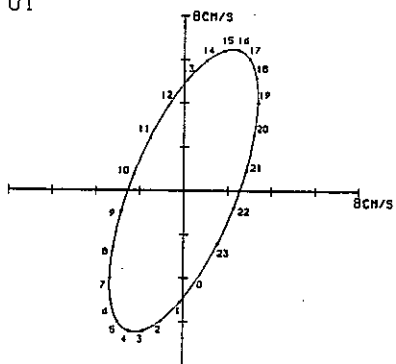
TROPIC



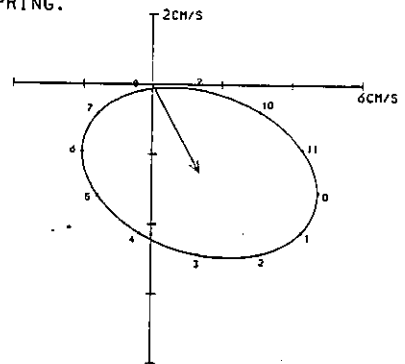
K1



O1



SPRING.

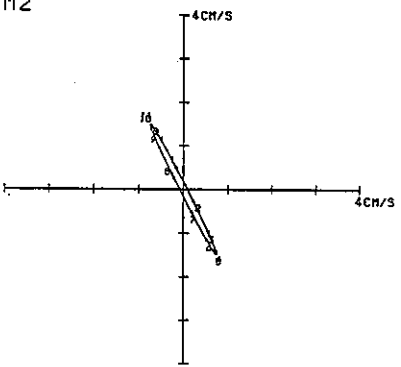


0-HOUR CORRESPOND TO CULMINATION HOUR OF IMAGINARY HEAVENLY BODY AT OBSERVATION STATION

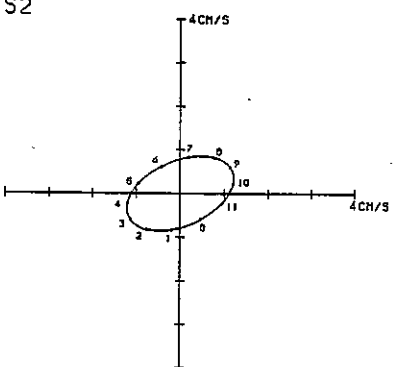
0-HOUR OF HODGRAPH CORRESPOND TO CULMINATION HOUR OF THE MOON AT HITACHI

DATE : 1983/5/5

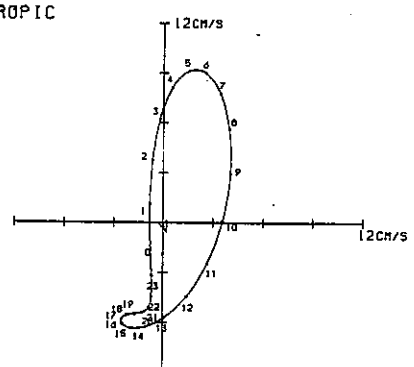
M2



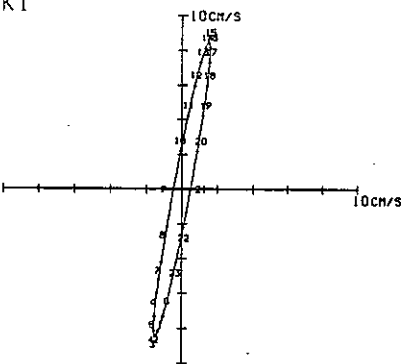
S2



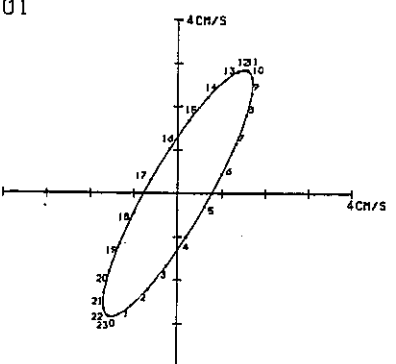
TROPIC



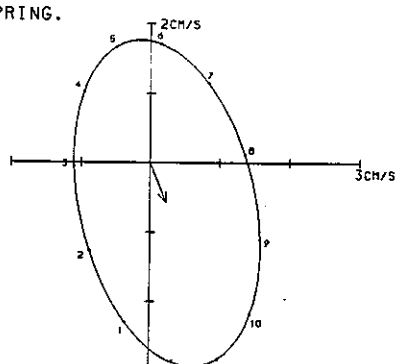
K1



O1



SPRING.

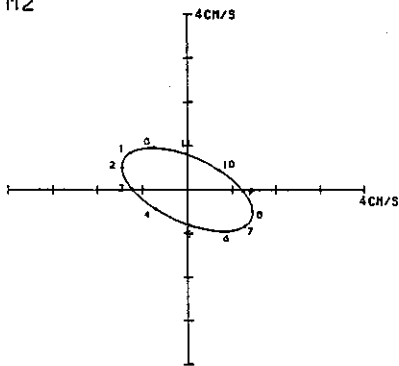


0-HOUR CORRESPOND TO CULMINATION HOUR OF IMAGINARY HEAVENLY BODY AT OBSERVATION STATION

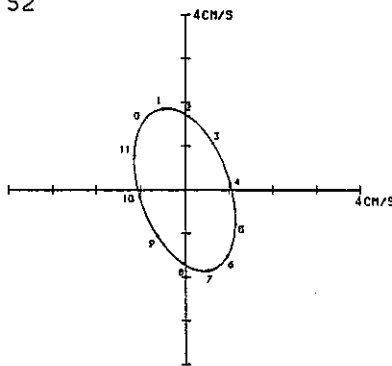
0-HOUR OF HODGRAPH CORRESPOND TO CULMINATION HOUR OF THE MOON AT HITACHI

DATE : 1983/5/23

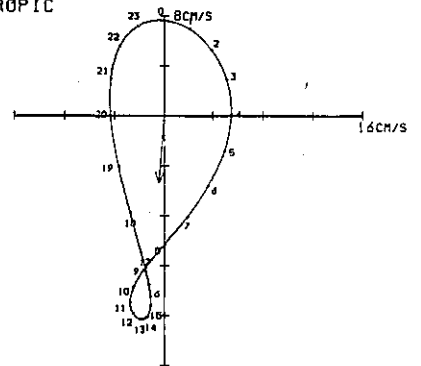
M2



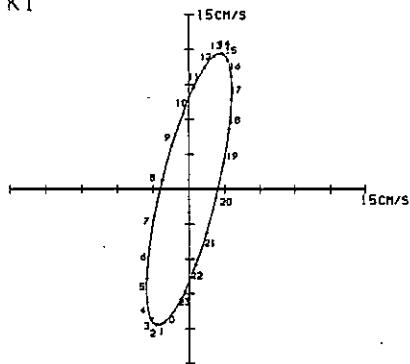
S2



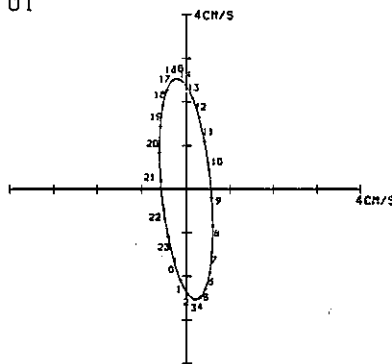
TROPIC



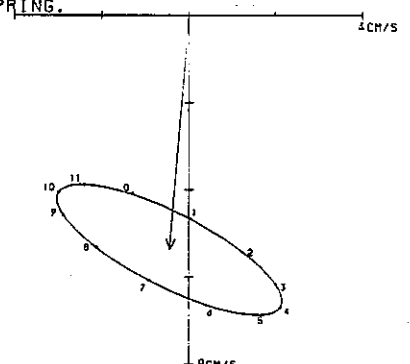
K1



O1



SPRING.

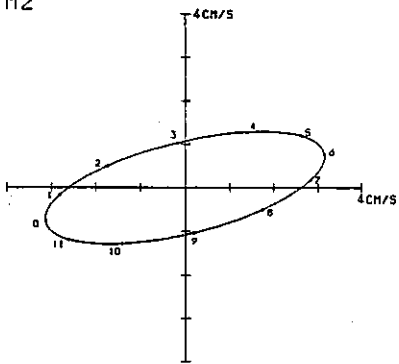


0-HOUR CORRESPOND TO CULMINATION HOUR OF IMAGINARY HEAVENLY BODY AT OBSERVATION STATION

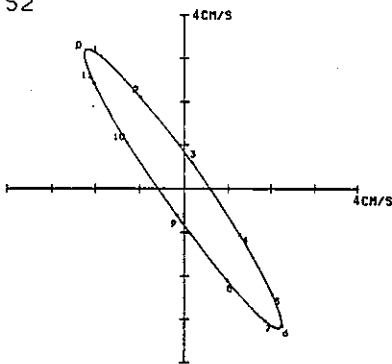
0-HOUR OF HODGRAPH CORRESPOND TO CULMINATION HOUR OF THE MOON AT HITACHI

DATE : 1983/6/22

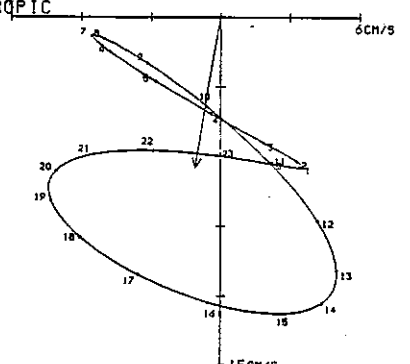
M2



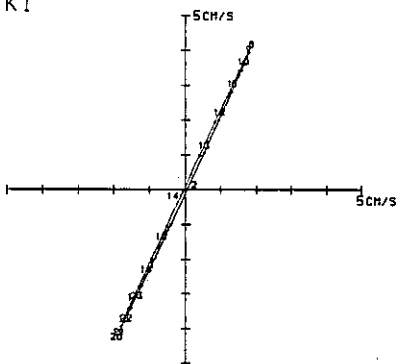
S2



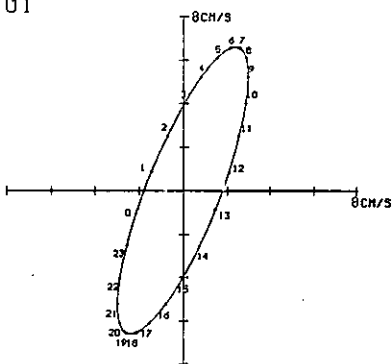
TROPIC



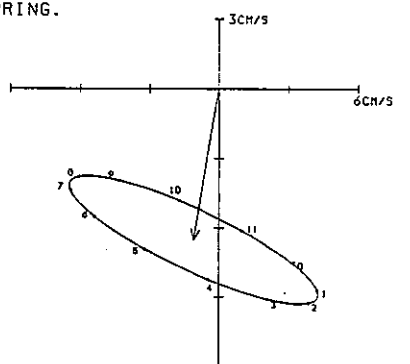
K1



O1



SPRING.

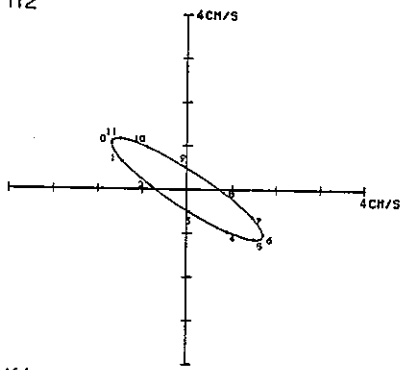


0-HOUR CORRESPOND TO CULMINATION HOUR OF IMAGINARY HEAVENLY BODY AT OBSERVATION STATION

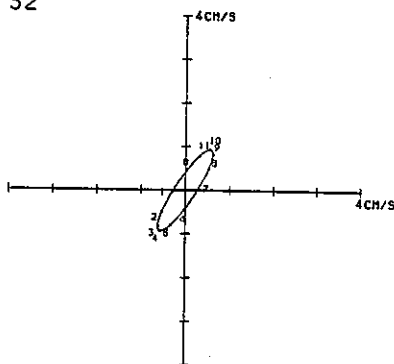
0-HOUR OF HODGRAPH CORRESPOND TO CULMINATION HOUR OF THE MOON AT HITACHI

DATE : 1983/9/22

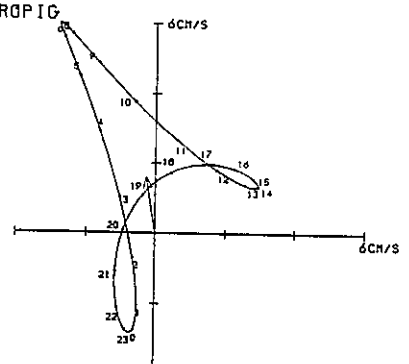
M2



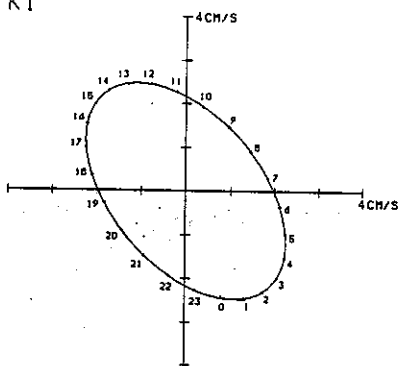
S2



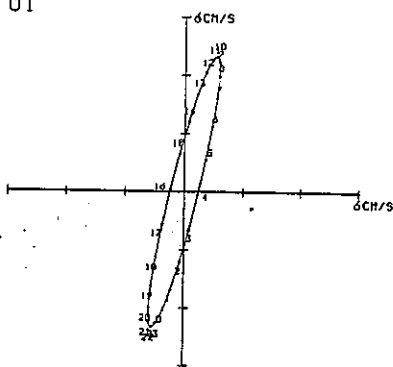
TROPIC



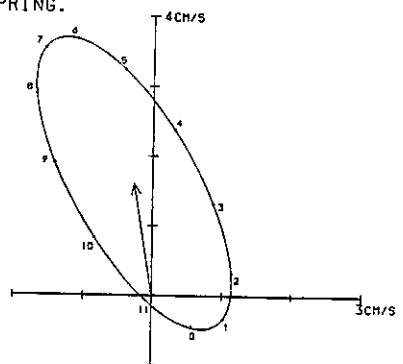
K1



01



SPRING.

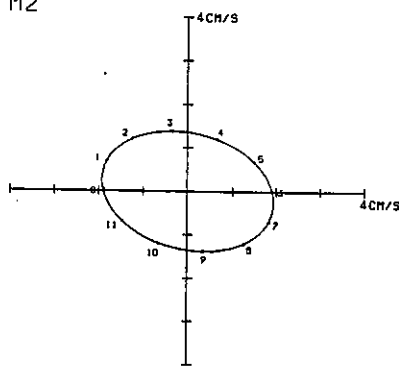


0-HOUR CORRESPOND TO CULMINATION HOUR OF IMAGINARY HEAVENLY BODY AT OBSERVATION STATION

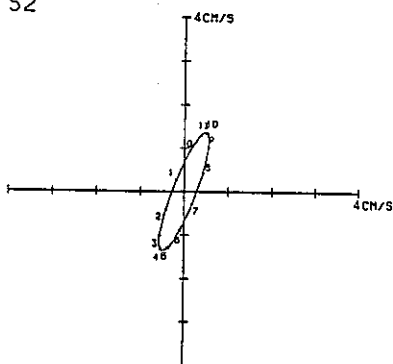
0-HOUR OF HODOGRAPH CORRESPOND TO CULMINATION HOUR OF THE MOON AT HITACHI

DATE : 1983/10/20

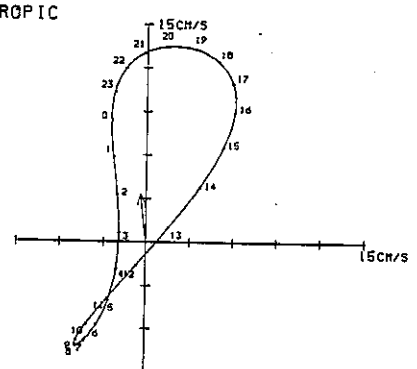
M2



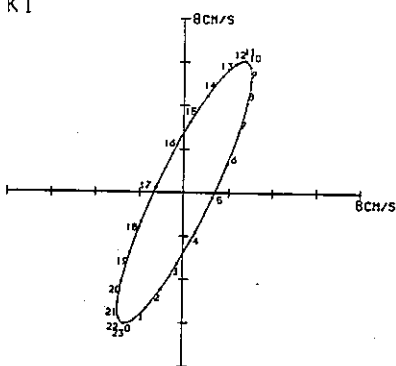
S2



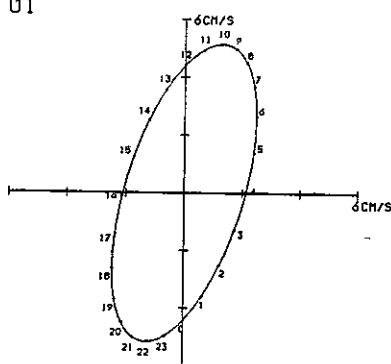
TROPIC



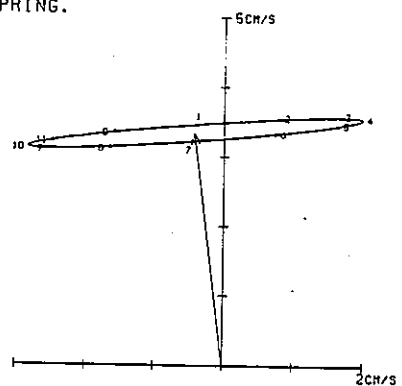
K1



01



SPRING.

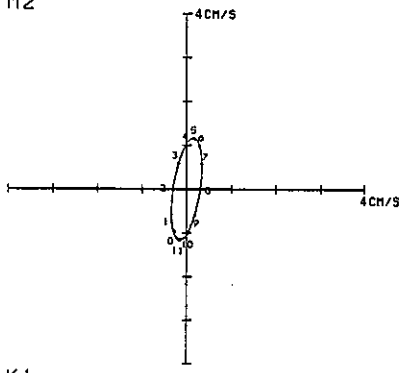


0-HOUR CORRESPOND TO CULMINATION HOUR OF IMAGINARY HEAVENLY BODY AT OBSERVATION STATION

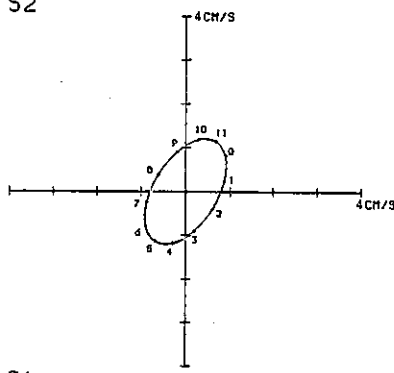
0-HOUR OF HODOGRAPH CORRESPOND TO CULMINATION HOUR OF THE MOON AT HITACHI

DATE : 1983/11/22

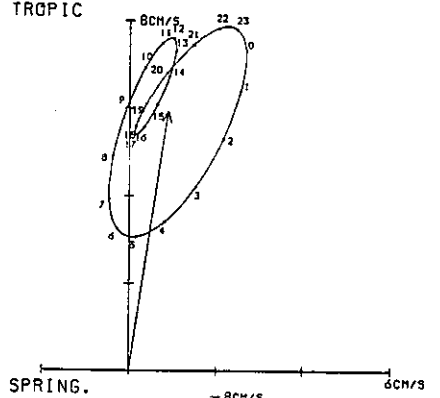
M2



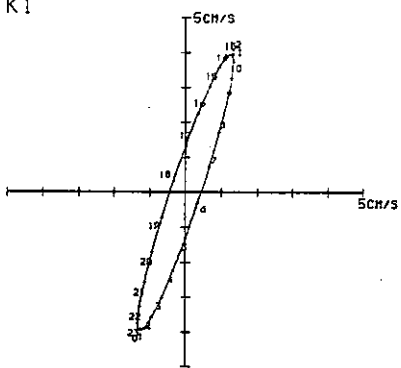
S2



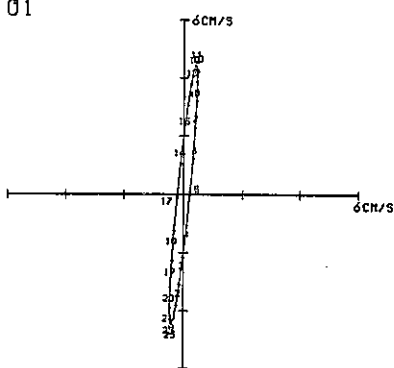
TROPIC



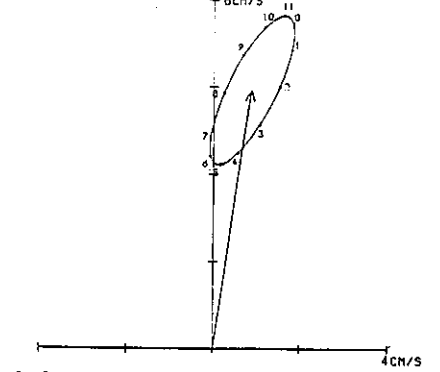
K1



O1



SPRING.

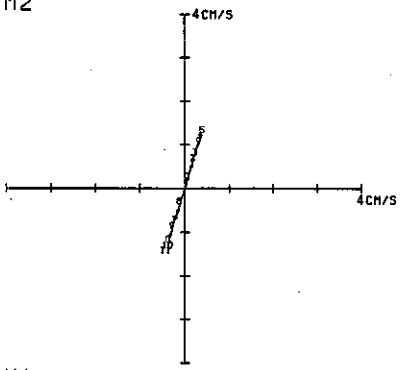


0-HOUR CORRESPOND TO CULMINATION HOUR OF IMAGINARY HEAVENLY BODY AT OBSERVATION STATION

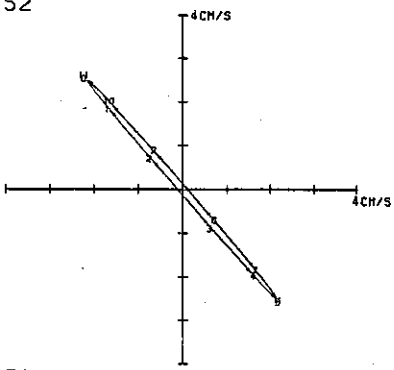
0-HOUR OF HODGRAPH CORRESPOND TO CULMINATION HOUR OF THE MOON AT HITACHI

DATE : 1983/12/15

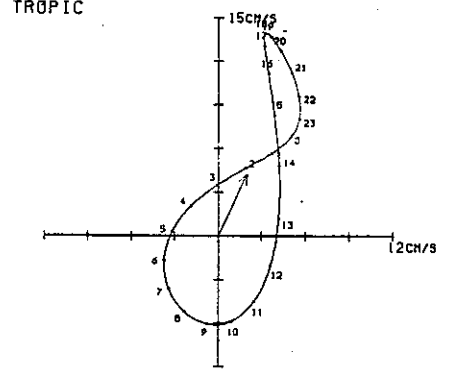
M2



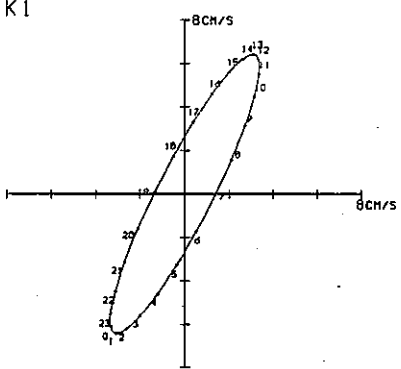
S2



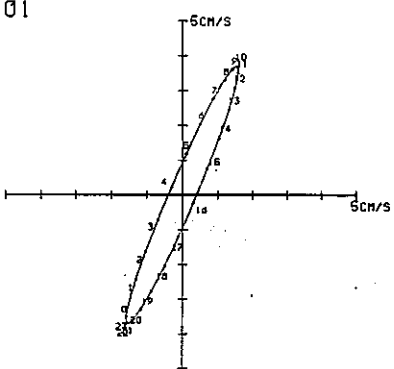
TROPIC



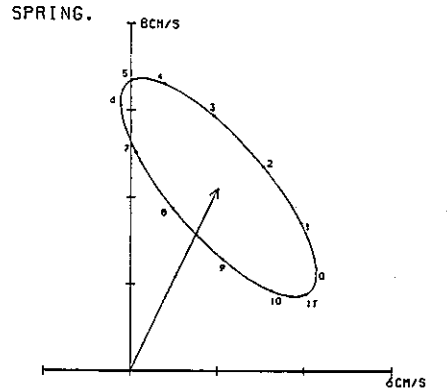
K1



O1



SPRING.

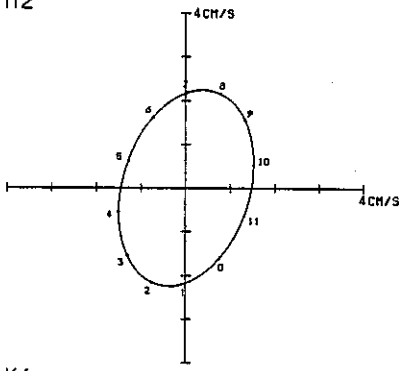


0-HOUR CORRESPOND TO CULMINATION HOUR OF IMAGINARY HEAVENLY BODY AT OBSERVATION STATION

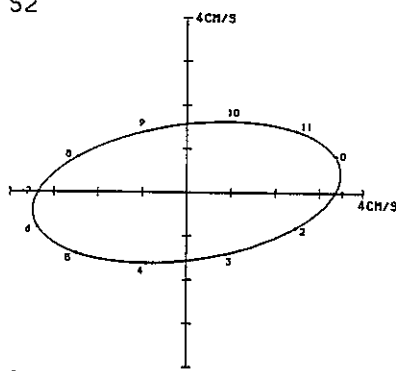
0-HOUR OF HODGRAPH CORRESPOND TO CULMINATION HOUR OF THE MOON AT HITACHI

DATE : 1984/1/7

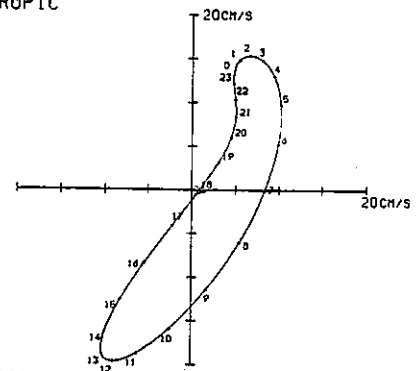
M2



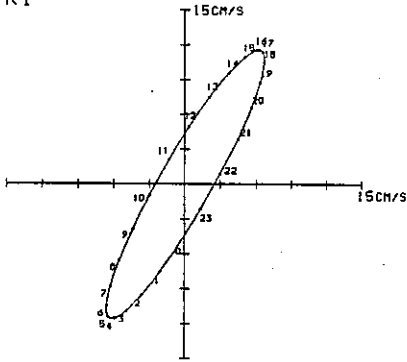
S2



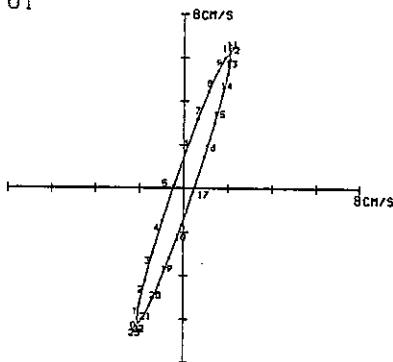
TROPIC



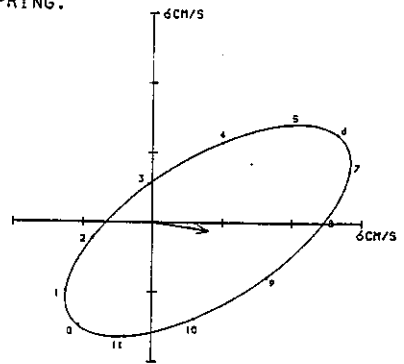
K1



O1



SPRING.

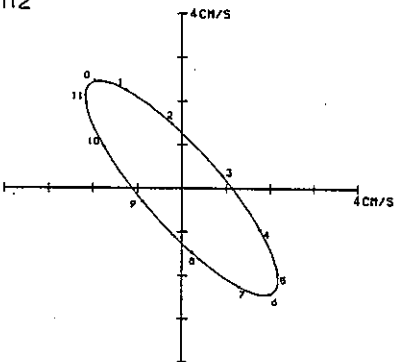


0-HOUR CORRESPOND TO CULMINATION HOUR OF IMAGINARY HEAVENLY BODY AT OBSERVATION STATION

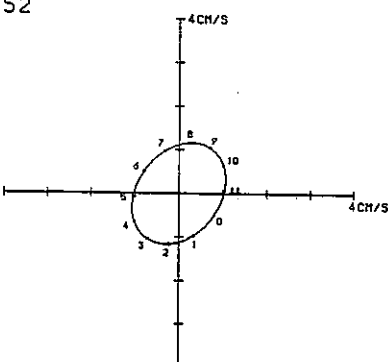
0-HOUR OF HODOGRAPH CORRESPOND TO CULMINATION HOUR OF THE MOON AT HITACHI

DATE : 1984/5/7

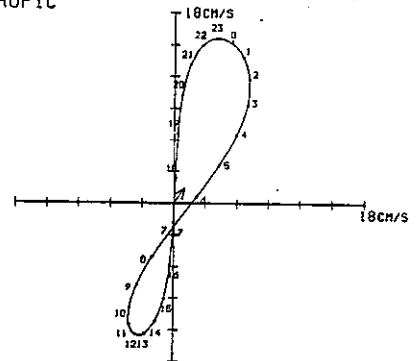
M2



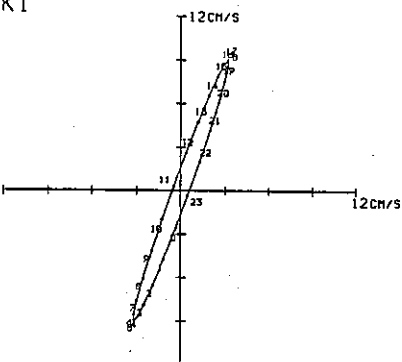
S2



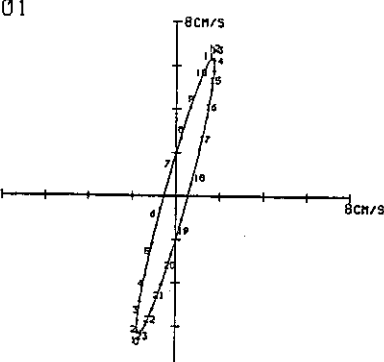
TROPIC



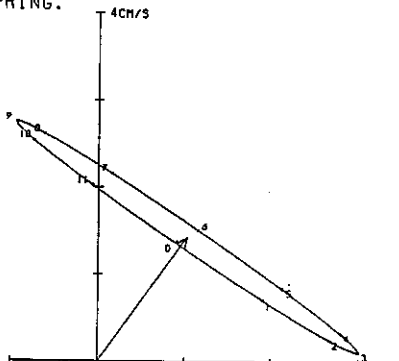
K1



O1



SPRING.

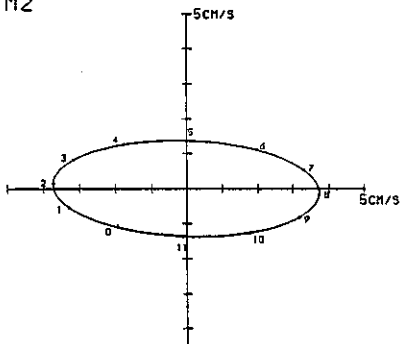


0-HOUR CORRESPOND TO CULMINATION HOUR OF IMAGINARY HEAVENLY BODY AT OBSERVATION STATION

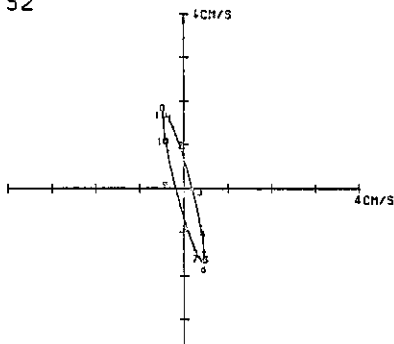
0-HOUR OF HODOGRAPH CORRESPOND TO CULMINATION HOUR OF THE MOON AT HITACHI

DATE : 1984/6/16

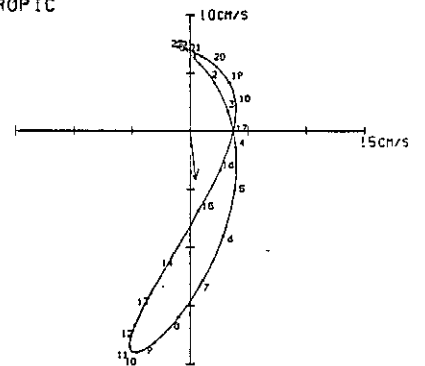
M2



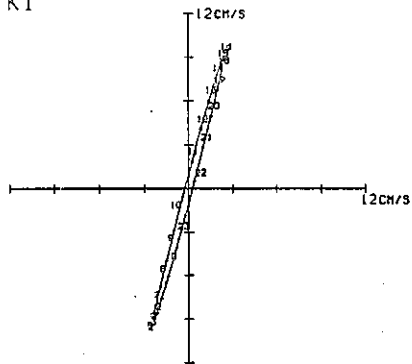
S2



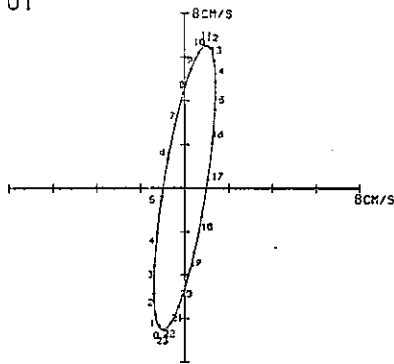
TROPIC



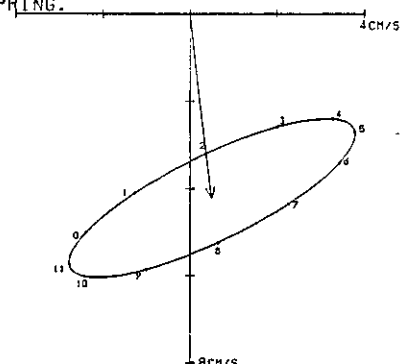
K1



O1



SPRING.

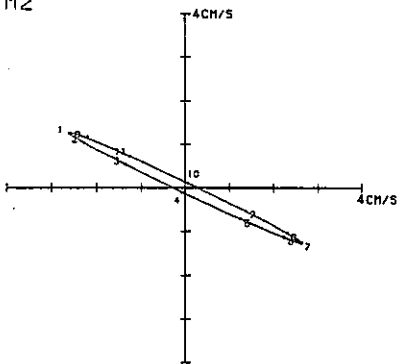


0-HOUR CORRESPOND TO CULMINATION HOUR OF IMAGINARY HEAVENLY BODY AT OBSERVATION STATION

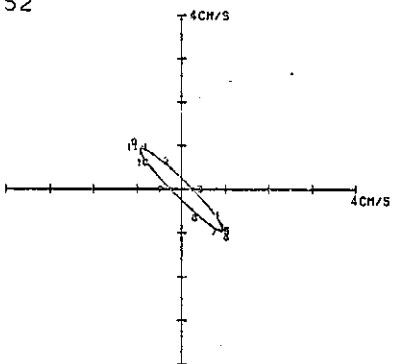
0-HOUR OF HODOGRAPH CORRESPOND TO CULMINATION HOUR OF THE MOON AT HITACHI

DATE : 1984/7/18

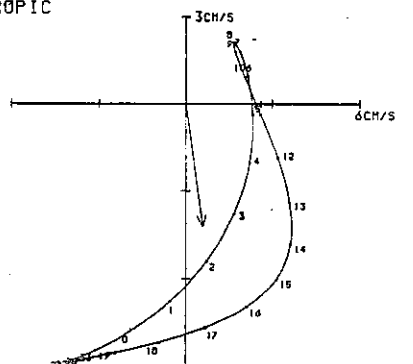
M2



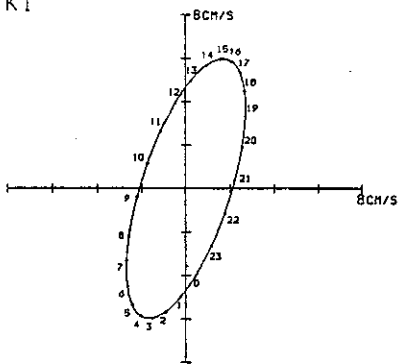
S2



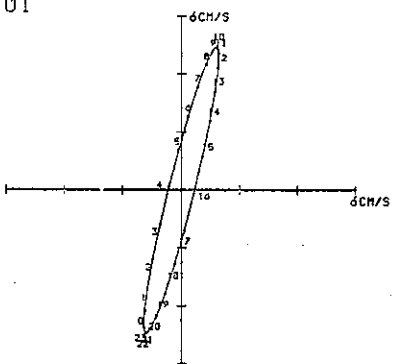
TROPIC



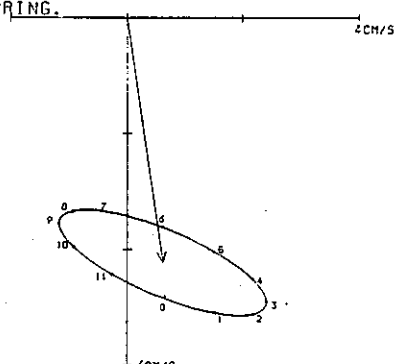
K1



O1



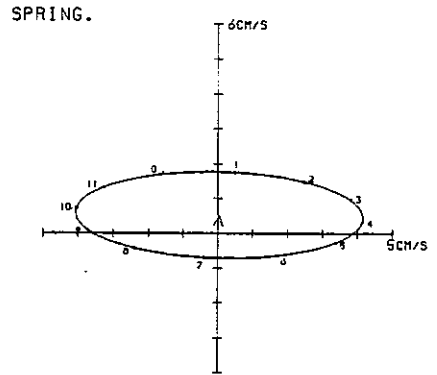
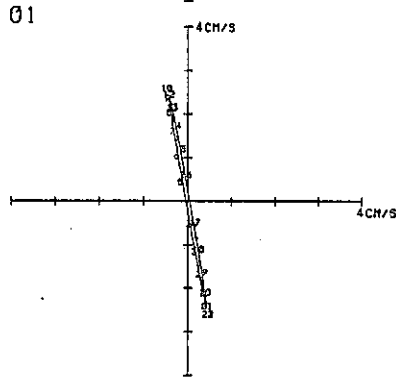
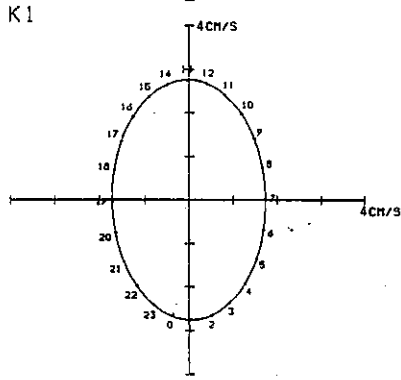
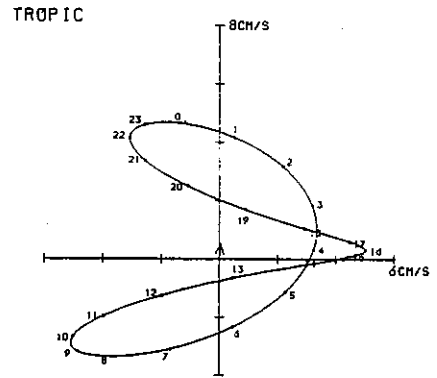
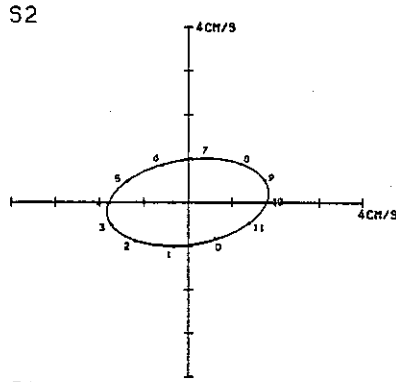
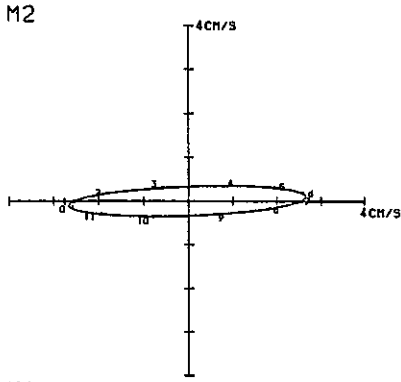
SPRING.



0-HOUR CORRESPOND TO CULMINATION HOUR OF IMAGINARY HEAVENLY BODY AT OBSERVATION STATION

0-HOUR OF HODOGRAPH CORRESPOND TO CULMINATION HOUR OF THE MOON AT HITACHI

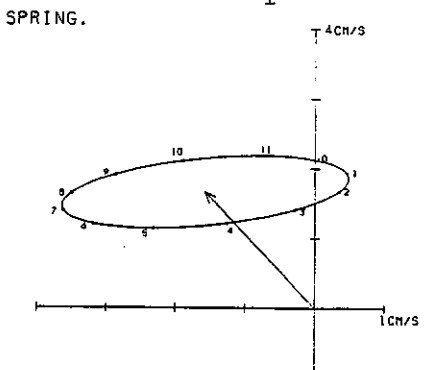
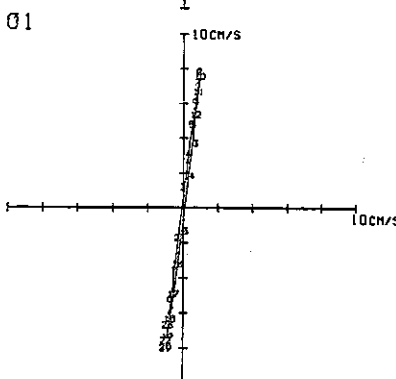
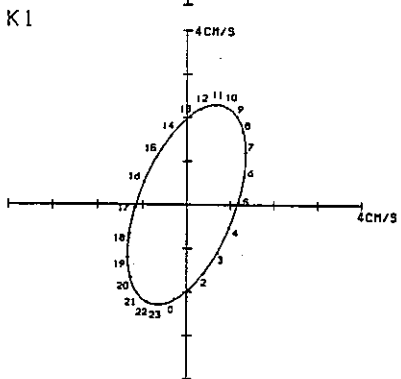
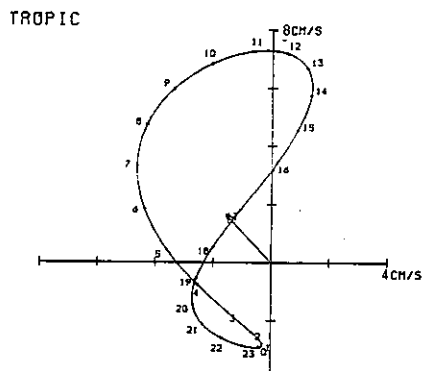
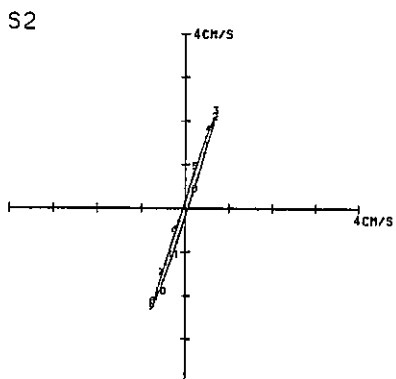
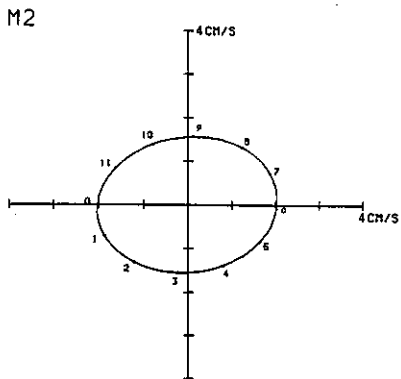
DATE : 1984/8/16



0-HOUR CORRESPOND TO CULMINATION HOUR OF IMAGINARY HEAVENLY BODY AT OBSERVATION STATION

0-HOUR OF HODGRAPH CORRESPOND TO CULMINATION HOUR OF THE MOON AT HITACHI

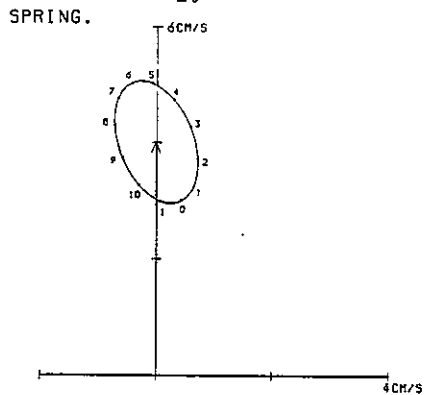
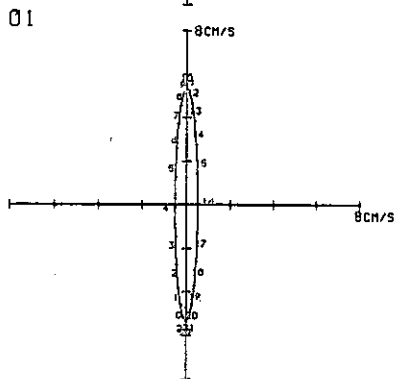
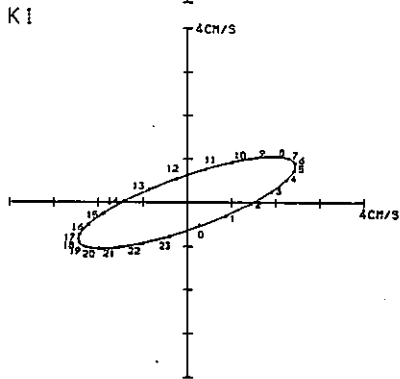
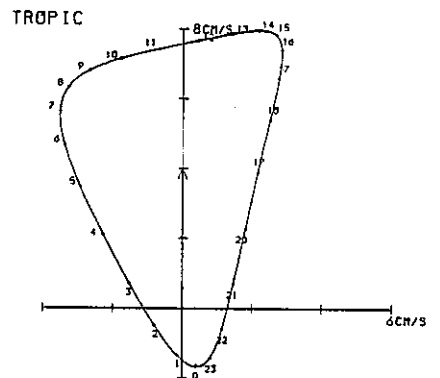
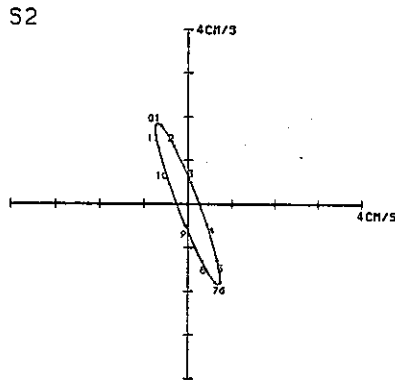
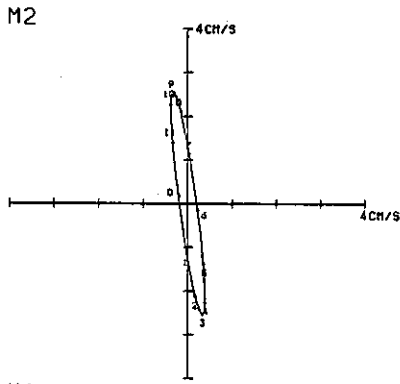
DATE : 1984/9/16



0-HOUR CORRESPOND TO CULMINATION HOUR OF IMAGINARY HEAVENLY BODY AT OBSERVATION STATION

0-HOUR OF HODGRAPH CORRESPOND TO CULMINATION HOUR OF THE MOON AT HITACHI

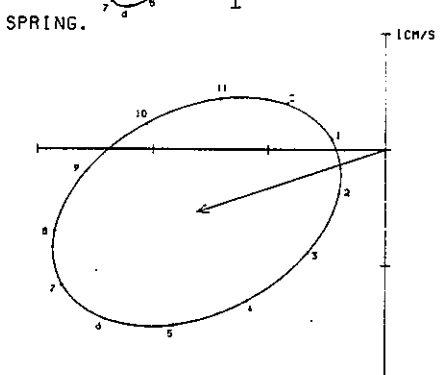
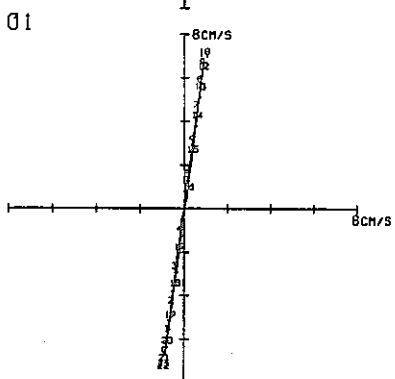
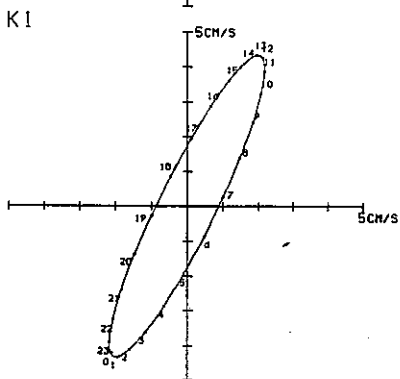
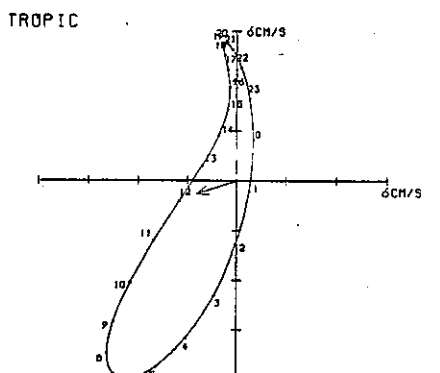
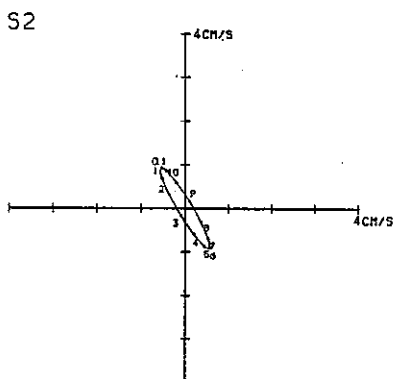
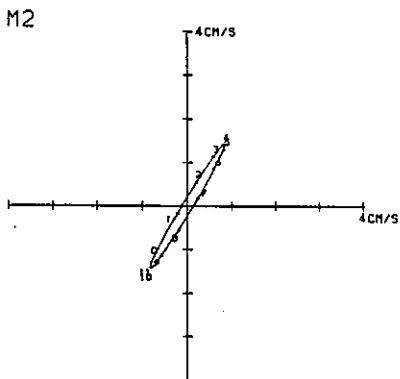
DATE : 1984/10/24



0-HOUR CORRESPOND TO CULMINATION HOUR OF IMAGINARY HEAVENLY BODY AT OBSERVATION STATION

0-HOUR OF HODGRAPH CORRESPOND TO CULMINATION HOUR OF THE MOON AT HITACHI

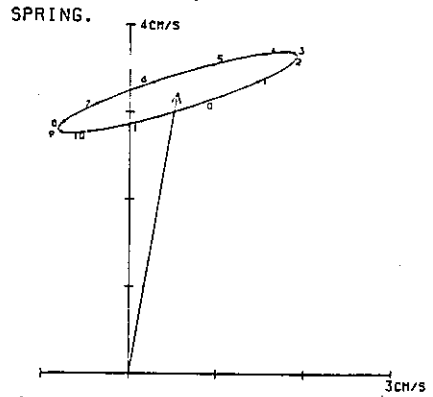
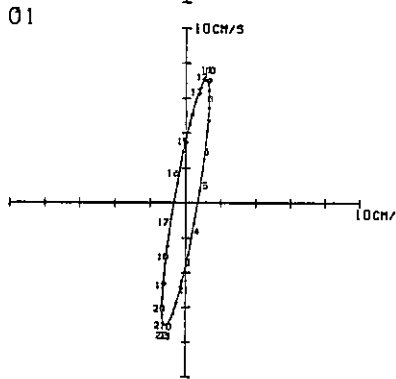
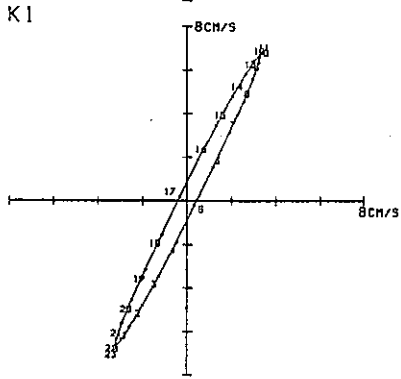
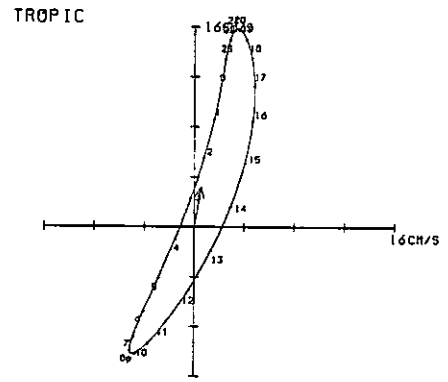
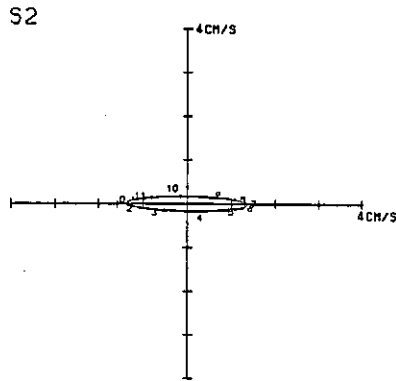
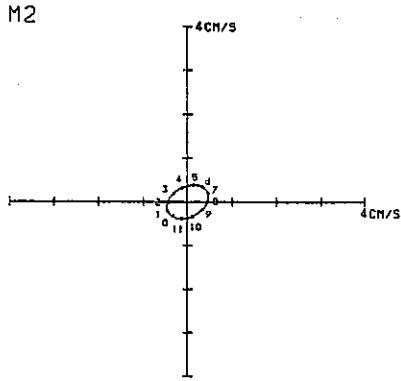
DATE : 1984/11/6



0-HOUR CORRESPOND TO CULMINATION HOUR OF IMAGINARY HEAVENLY BODY AT OBSERVATION STATION

0-HOUR OF HODGRAPH CORRESPOND TO CULMINATION HOUR OF THE MOON AT HITACHI

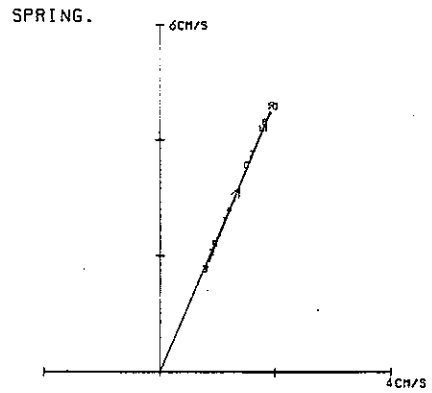
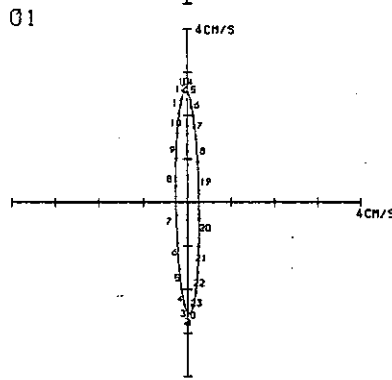
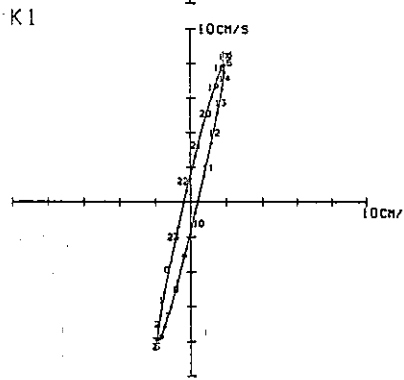
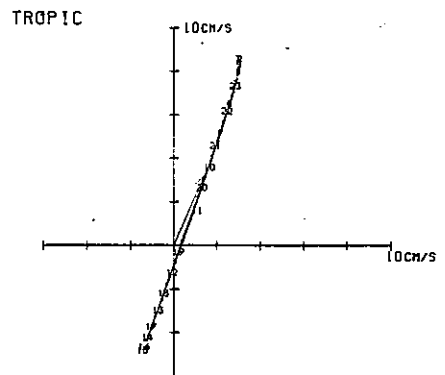
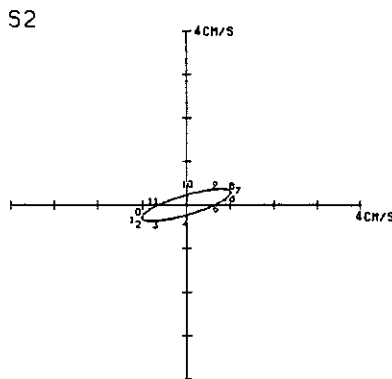
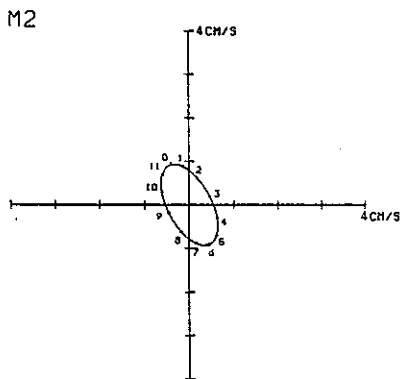
DATE : 1984/11/23



0-HOUR CORRESPOND TO CULMINATION HOUR OF IMAGINARY HEAVENLY BODY AT OBSERVATION STATION

0-HOUR OF HODGRAPH CORRESPOND TO CULMINATION HOUR OF THE MOON AT HITACHI

DATE : 1984/12/11

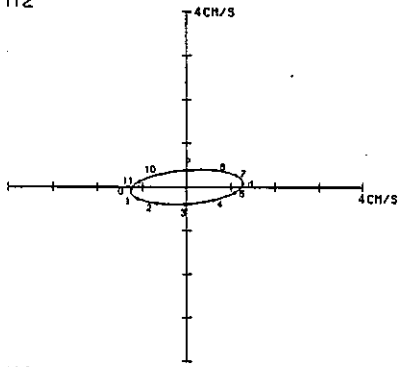


0-HOUR CORRESPOND TO CULMINATION HOUR OF IMAGINARY HEAVENLY BODY AT OBSERVATION STATION

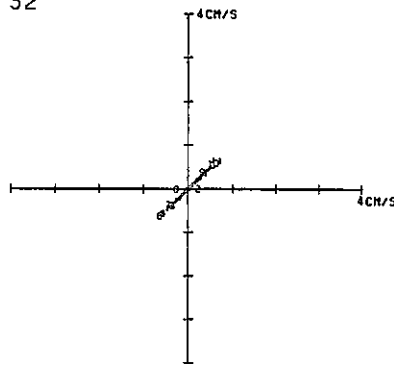
0-HOUR OF HODGRAPH CORRESPOND TO CULMINATION HOUR OF THE MOON AT HITACHI

DATE : 1985/1/16

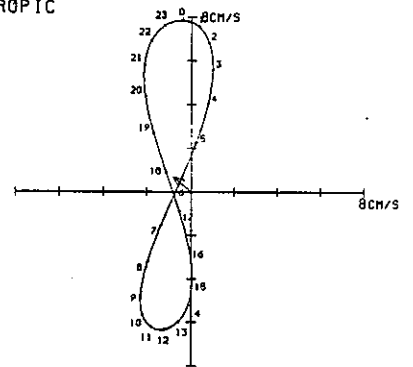
M2



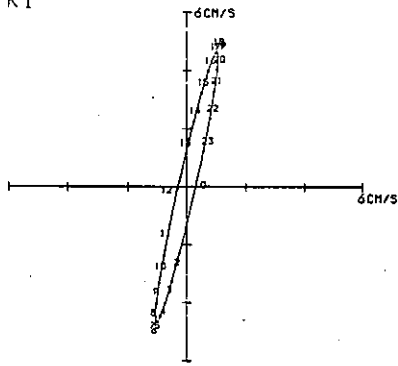
S2



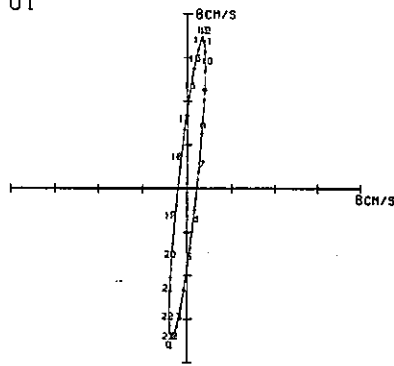
TROPIC



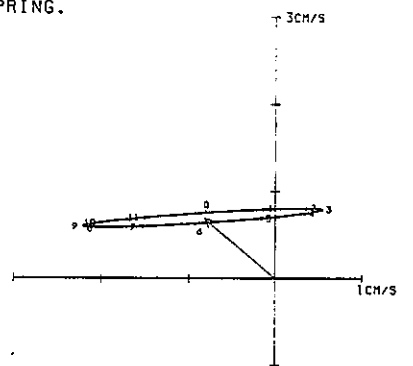
K1



O1



SPRING.

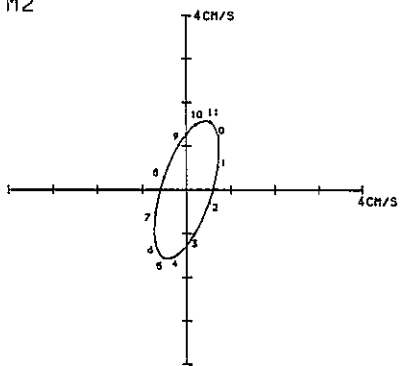


0-HOUR CORRESPOND TO CULMINATION HOUR OF IMAGINARY HEAVENLY BODY AT OBSERVATION STATION

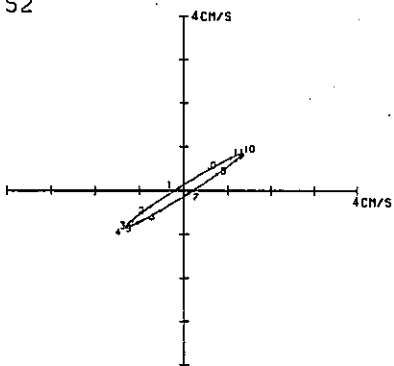
0-HOUR OF HODOGRAPH CORRESPOND TO CULMINATION HOUR OF THE MOON AT HITACHI

DATE : 1985 / 2 / 15

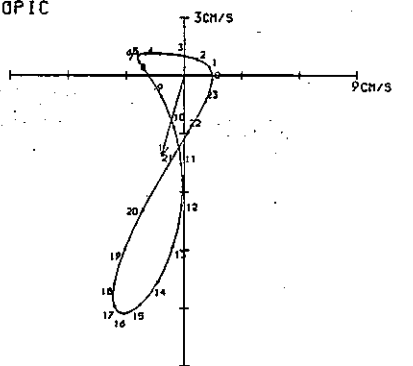
M2



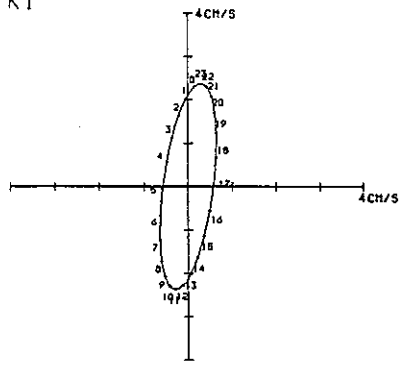
S2



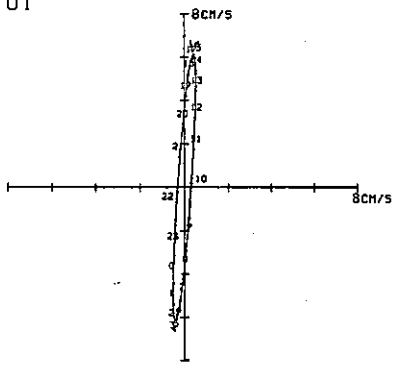
TROPIC



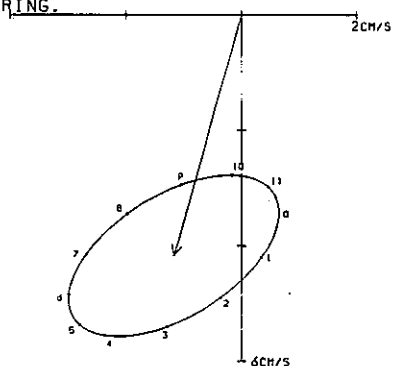
K1



O1



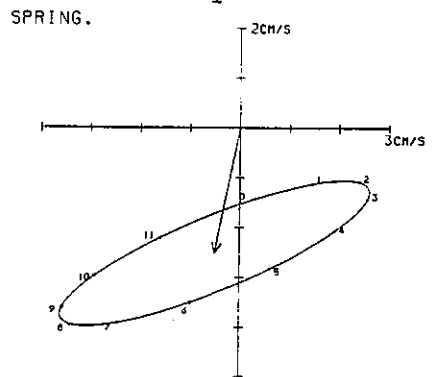
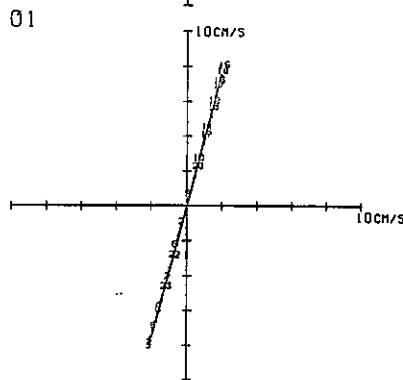
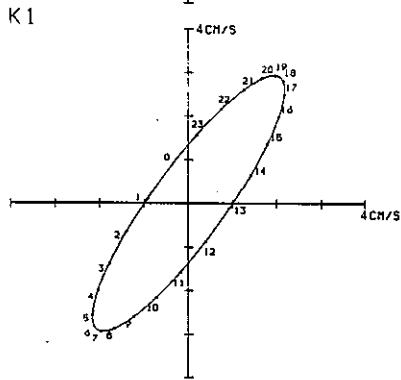
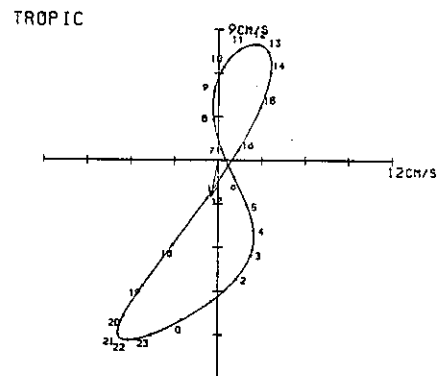
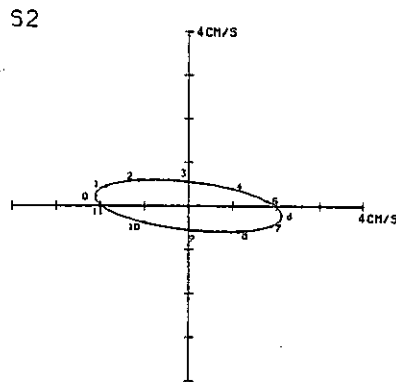
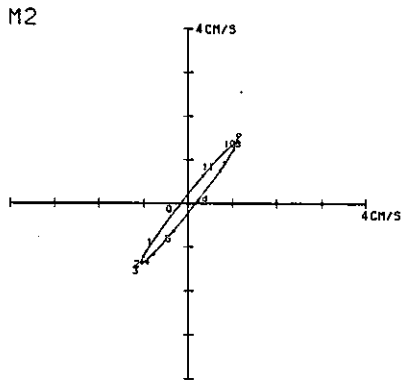
SPRING.



0-HOUR CORRESPOND TO CULMINATION HOUR OF IMAGINARY HEAVENLY BODY AT OBSERVATION STATION

0-HOUR OF HODOGRAPH CORRESPOND TO CULMINATION HOUR OF THE MOON AT HITACHI

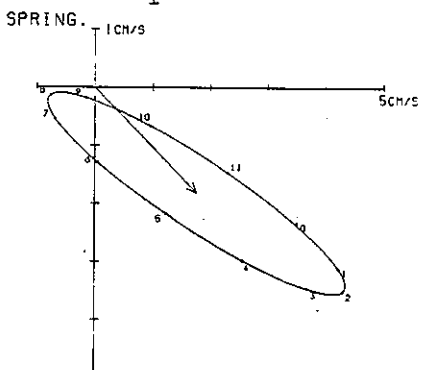
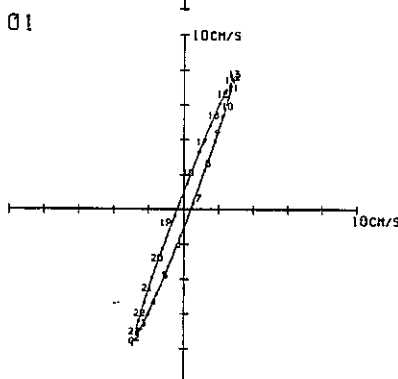
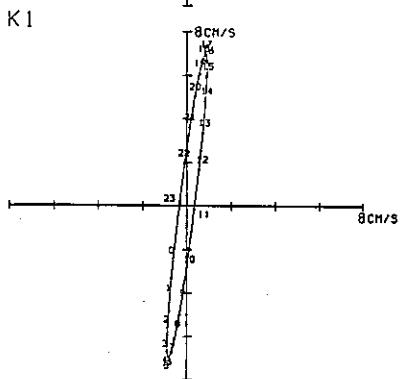
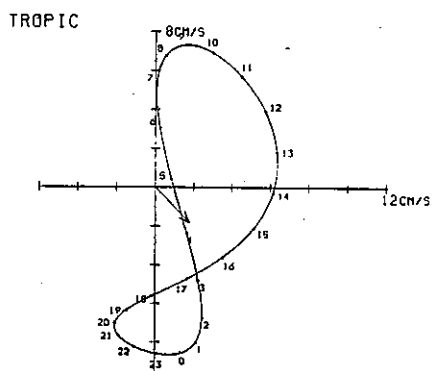
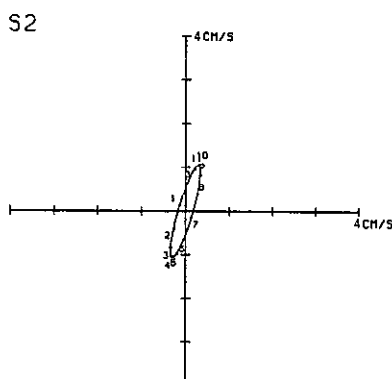
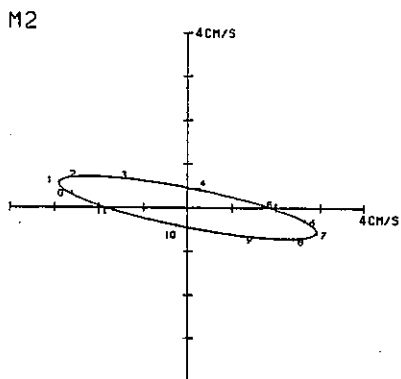
DATE : 1985 / 3 / 16



0-HOUR CORRESPOND TO CULMINATION HOUR OF IMAGINARY HEAVENLY BODY AT OBSERVATION STATION

0-HOUR OF HODGRAPH CORRESPOND TO CULMINATION HOUR OF THE MOON AT HITACHI

DATE : 1985 / 4 / 16

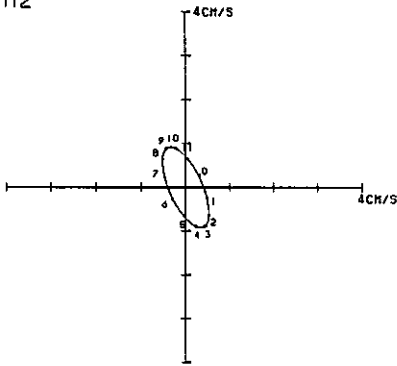


0-HOUR CORRESPOND TO CULMINATION HOUR OF IMAGINARY HEAVENLY BODY AT OBSERVATION STATION

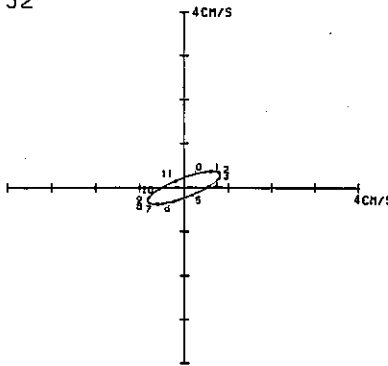
0-HOUR OF HODGRAPH CORRESPOND TO CULMINATION HOUR OF THE MOON AT HITACHI

DATE : 1985 / 5 / 16

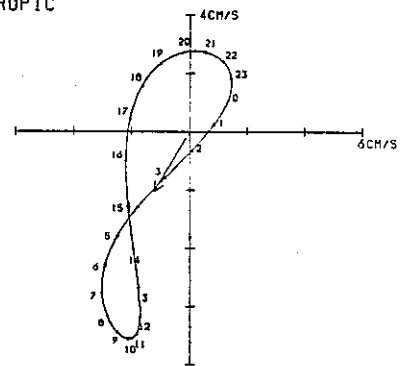
M2



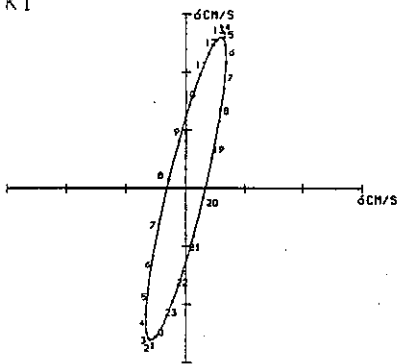
S2



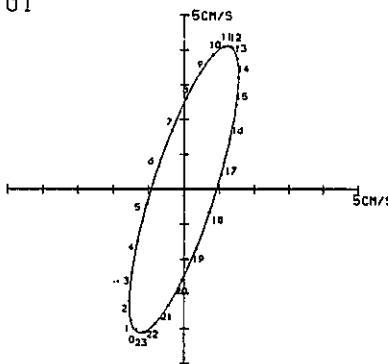
TROPIC



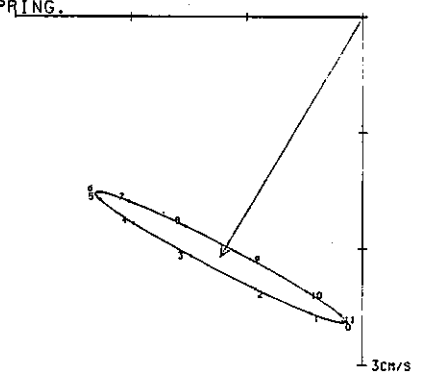
K1



Ø1



SPRING.

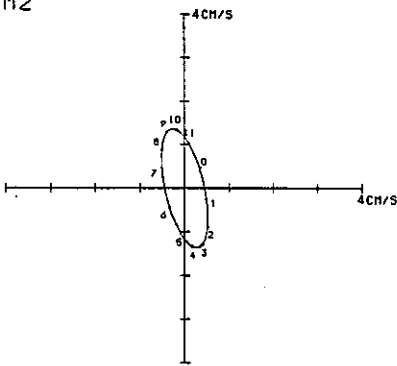


0-HOUR CORRESPOND TO CULMINATION HOUR OF IMAGINARY HEAVENLY BODY AT OBSERVATION STATION

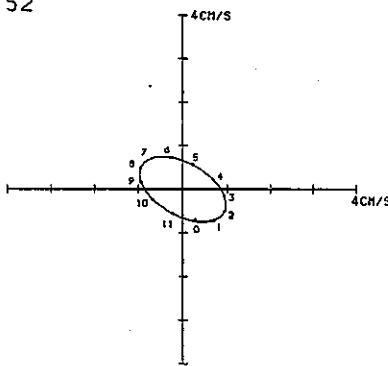
0-HOUR OF HODGRAPH CORRESPOND TO CULMINATION HOUR OF THE MOON AT HITACHI

DATE : 1985 / 6 / 16

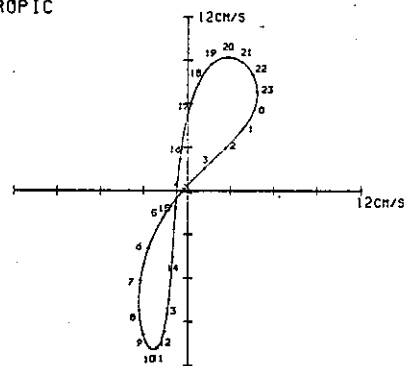
M2



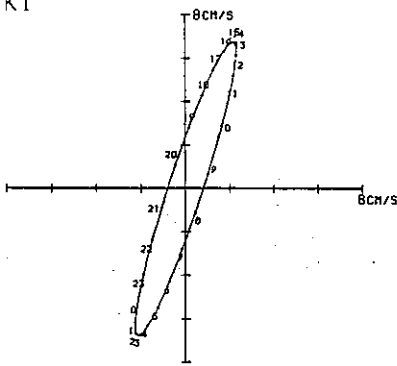
S2



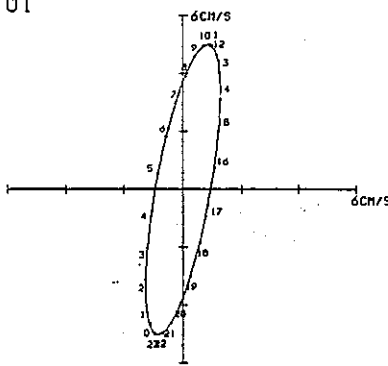
TROPIC



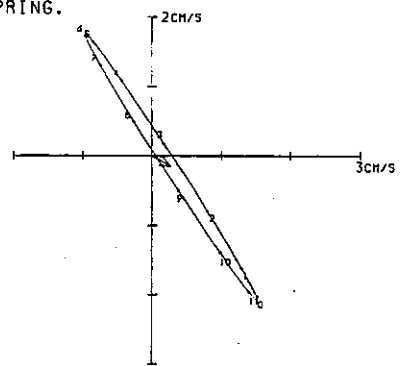
K1



Ø1



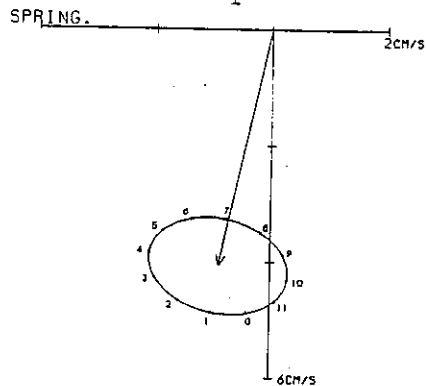
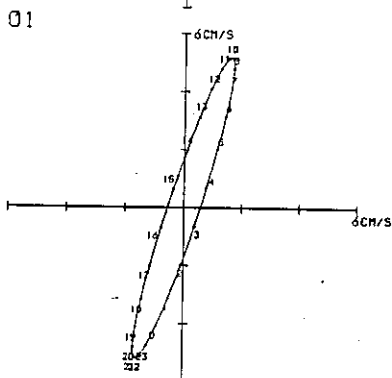
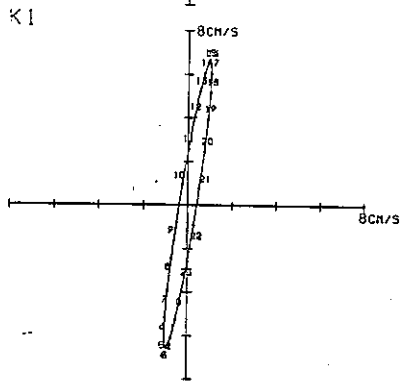
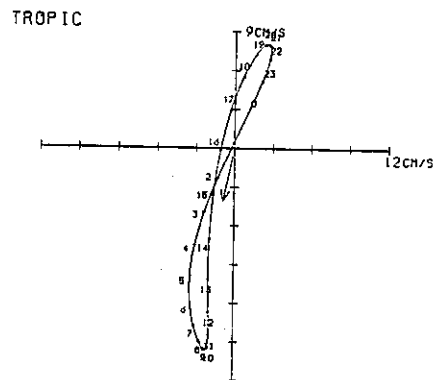
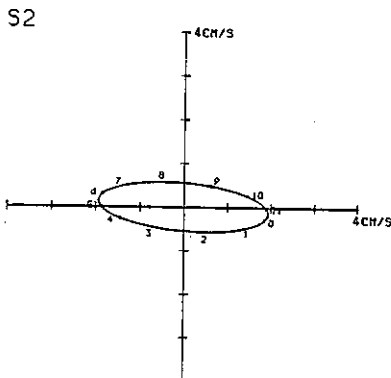
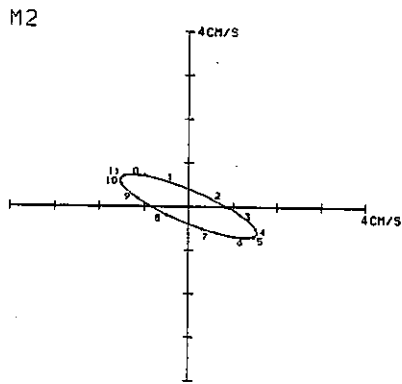
SPRING.



0-HOUR CORRESPOND TO CULMINATION HOUR OF IMAGINARY HEAVENLY BODY AT OBSERVATION STATION

0-HOUR OF HODGRAPH CORRESPOND TO CULMINATION HOUR OF THE MOON AT HITACHI

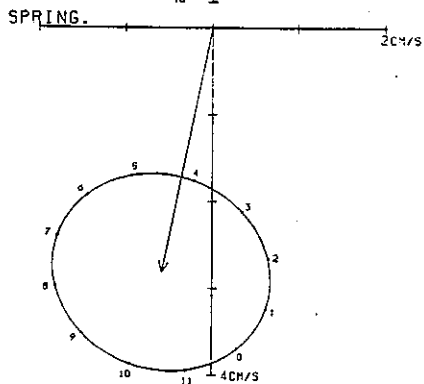
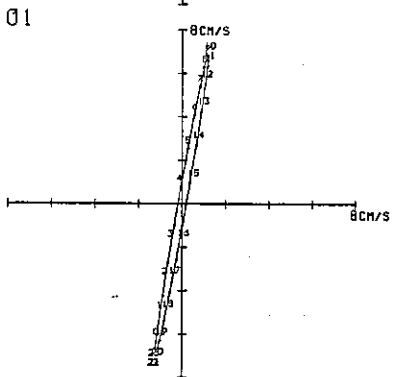
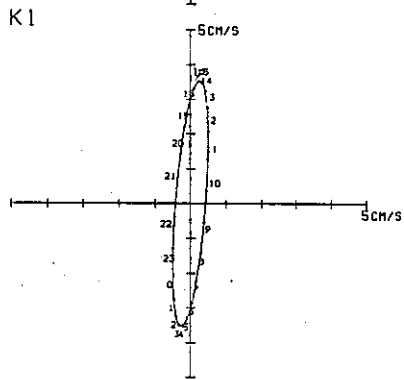
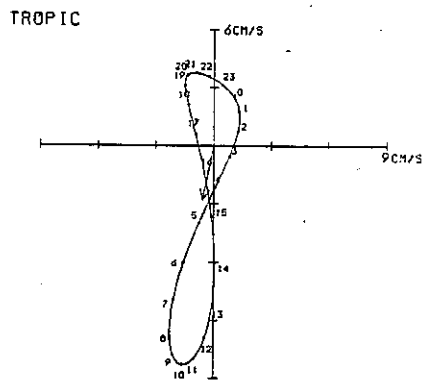
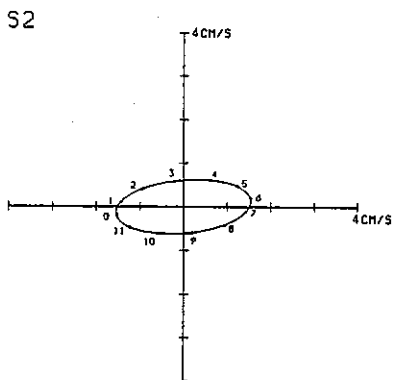
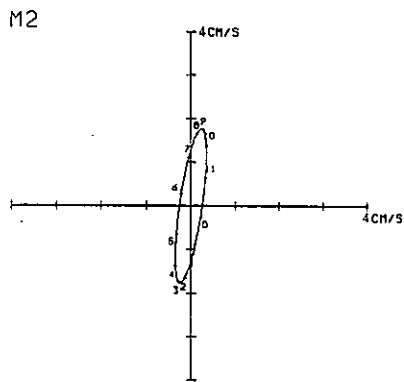
DATE : 1985 / 7 / 16



0-HOUR CORRESPOND TO CULMINATION
HOUR OF IMAGINARY HEAVENLY BODY AT
OBSERVATION STATION

0-HOUR OF HODGRAPH CORRESPOND TO
CULMINATION HOUR OF THE MOON
AT HITACHI

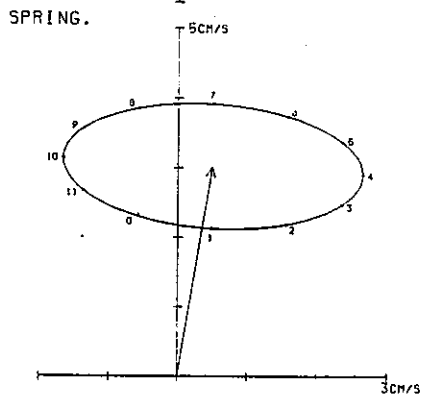
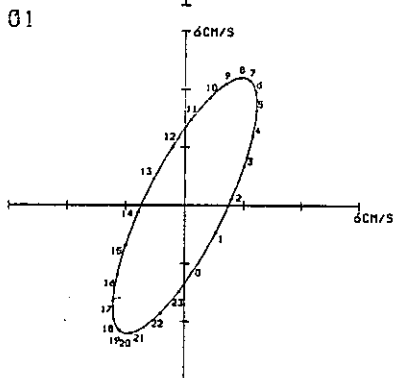
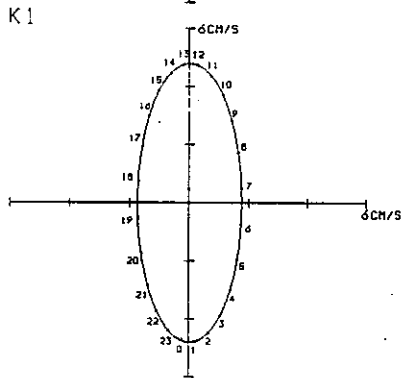
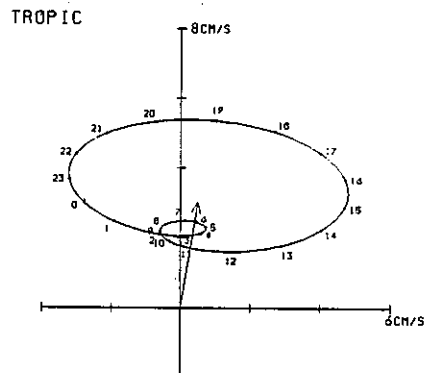
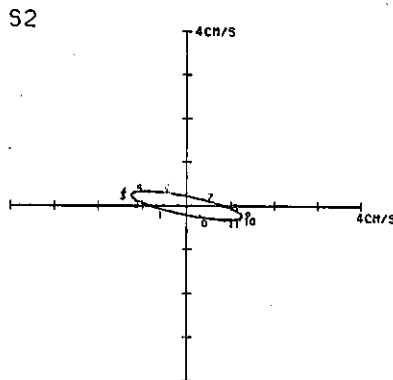
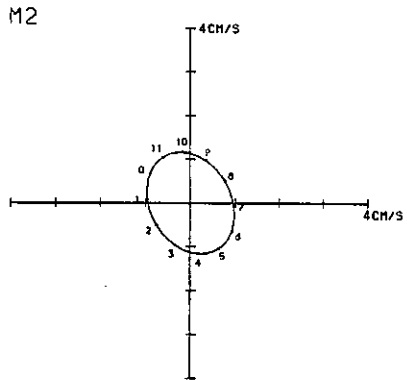
DATE : 1985/8/16



0-HOUR CORRESPOND TO CULMINATION
HOUR OF IMAGINARY HEAVENLY BODY AT
OBSERVATION STATION

0-HOUR OF HODGRAPH CORRESPOND TO
CULMINATION HOUR OF THE MOON
AT HITACHI

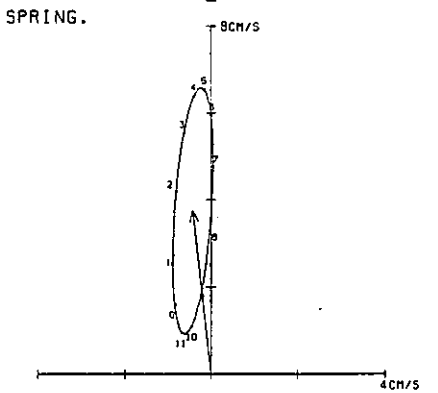
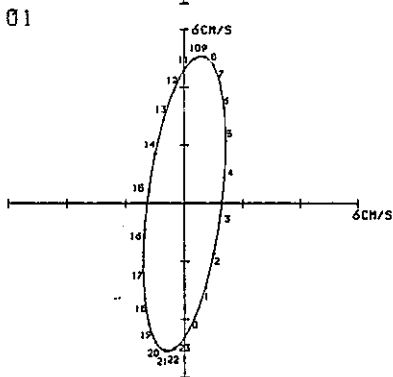
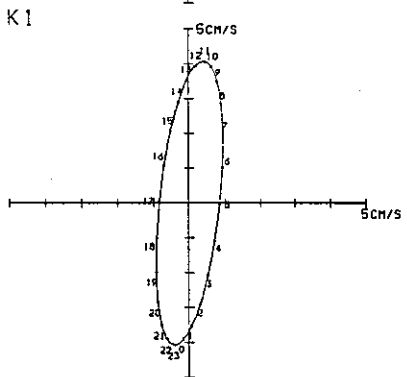
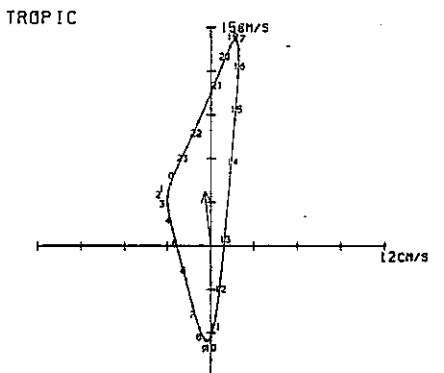
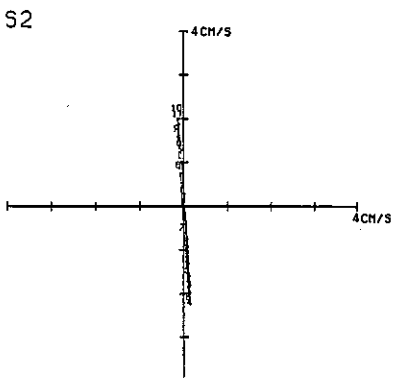
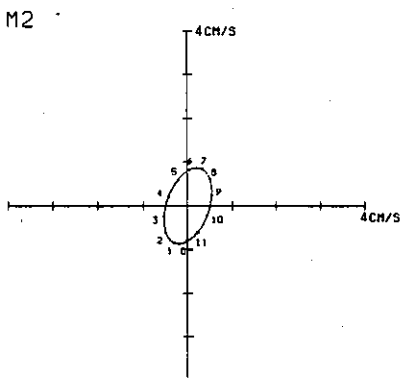
DATE : 1985/9/16



0-HOUR CORRESPOND TO CULMINATION HOUR OF IMAGINARY HEAVENLY BODY AT OBSERVATION STATION

0-HOUR OF HODGRAPH CORRESPOND TO CULMINATION HOUR OF THE MOON AT HITACHI

DATE : 1985/10/16

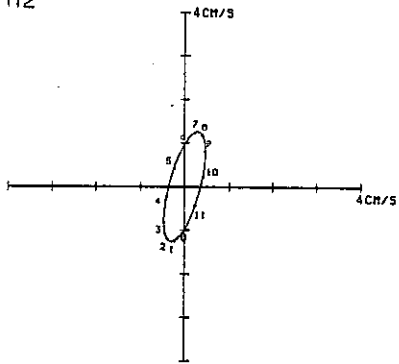


0-HOUR CORRESPOND TO CULMINATION HOUR OF IMAGINARY HEAVENLY BODY AT OBSERVATION STATION

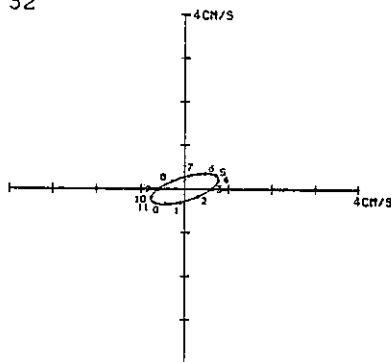
0-HOUR OF HODGRAPH CORRESPOND TO CULMINATION HOUR OF THE MOON AT HITACHI

DATE : 1985/11/16

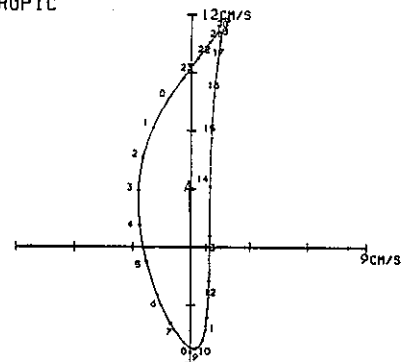
M2



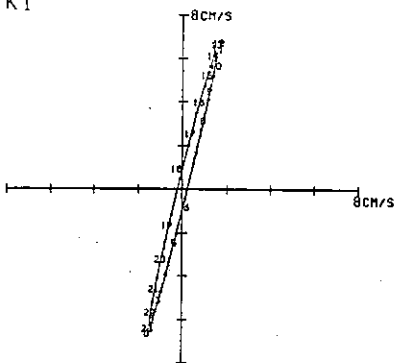
S2



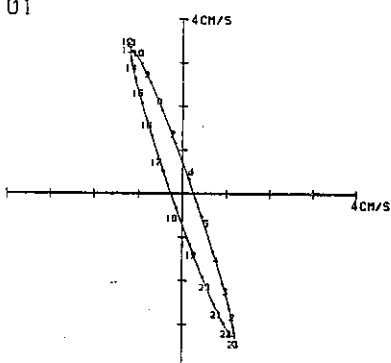
TROPIC



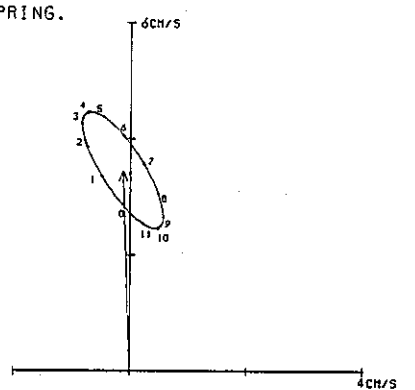
K1



O1



SPRING.



0-HOUR CORRESPOND TO CULMINATION
HOUR OF IMAGINARY HEAVENLY BODY AT
OBSERVATION STATION

0-HOUR OF HODGRAPH CORRESPOND TO
CULMINATION HOUR OF THE MOON
AT HITACHI

DATE : 1985/12/16